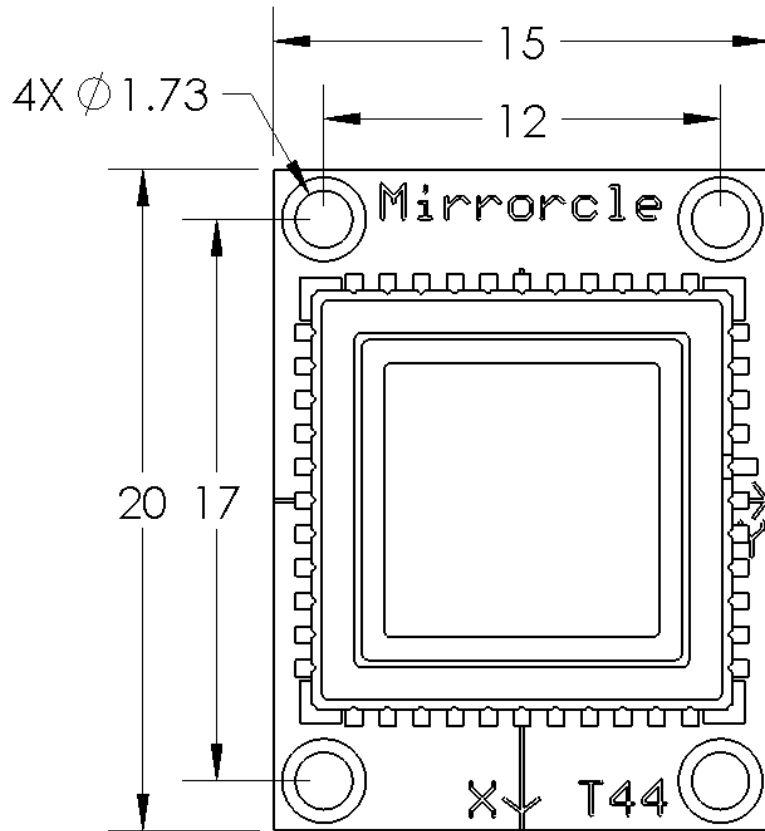
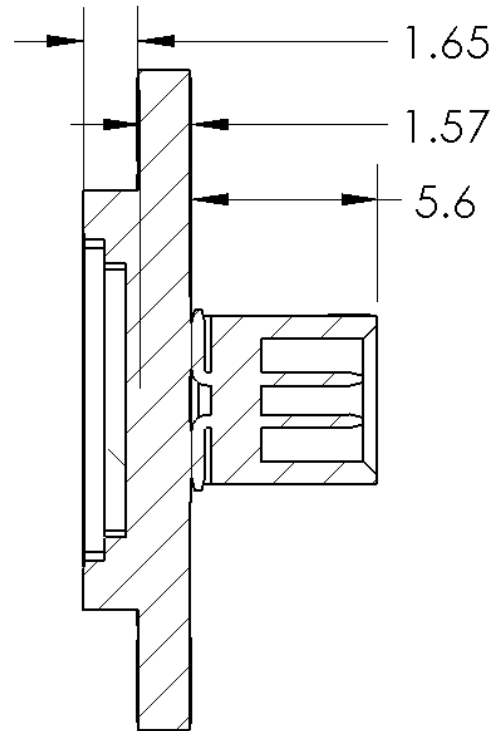


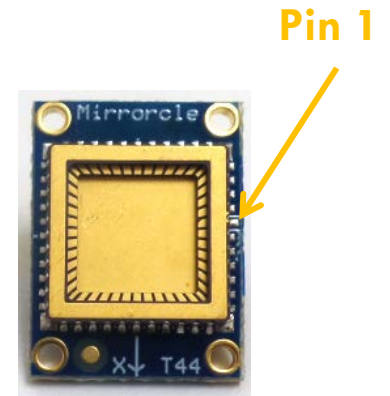
TINY48.4



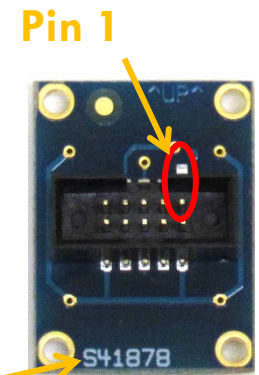
All units in mm



S##### Device ID
(serial number)



View from front



View from back
10-Pin connector
(see page 11)