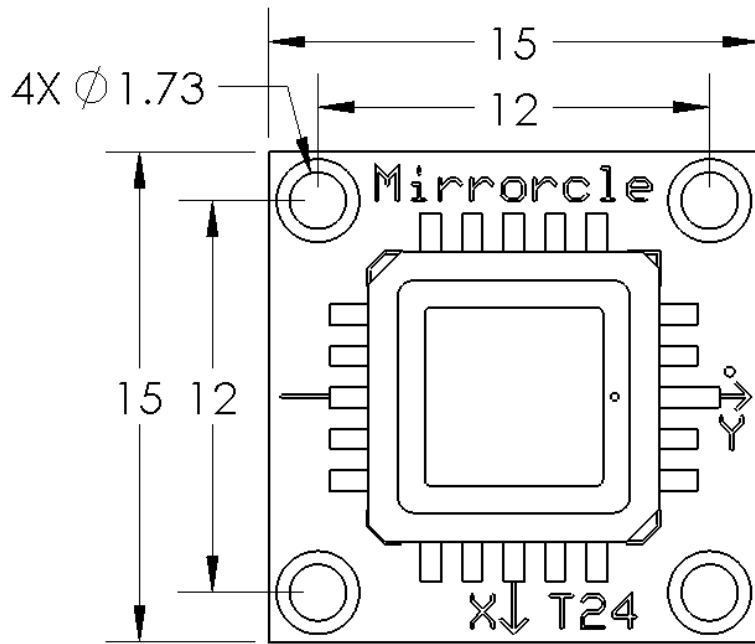
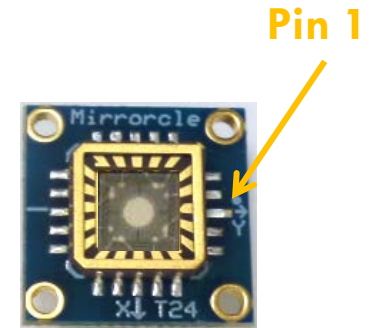
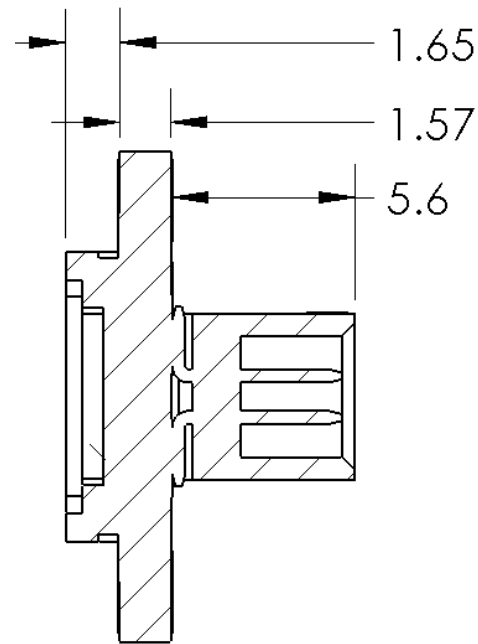


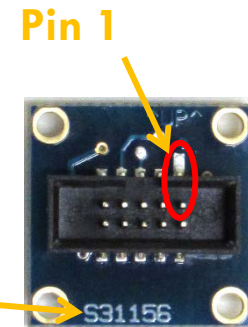
# TINY20.4



All units in mm



View from front



View from back

10-Pin connector  
(see page 11)

**S#####** Device ID  
(serial number)