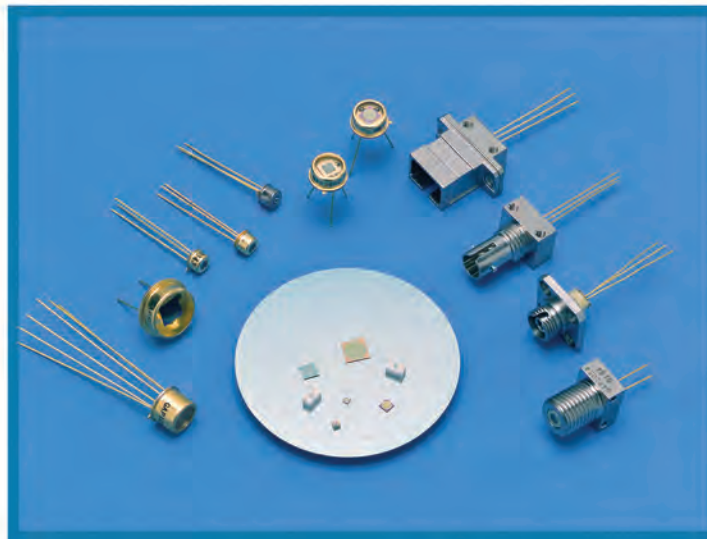


GAP60 GAP60CS GAP75
GAP100 GAP300

High Speed InGaAs Photodiodes



- **High Responsivity**
- **Low Dark Current**
- **Low Capacitance: High Speed**
- **Planar Design for High Reliability**

GPD Optoelectronics Corp.

7 Manor Parkway
Salem, NH 03079 U.S.A.



光技術をサポートする
株式会社オプトサイエンス

<http://www.optoscience.com>

東京本社 〒160-0014 東京都新宿区内藤町1番地 内藤町ビルディング TEL:03-3356-1064
大阪営業所 〒532-0011 大阪市淀川区西中島7-7-2 新大阪ビル西館 TEL:06-6305-2064
名古屋営業所 〒450-0002 名古屋市中村区名駅2-37-21 東海ソフトビル TEL:052-569-6064

E-mail : info@optoscience.com



Electrical Characteristics @ 25 °C

| | GAP60/CS | GAP75 | GAP100 | GAP300 | |
|---------------------------------|----------------------|-------------|-------------|-------------|-----------------|
| Active Diameter | 60 | 75 | 100 | 300 | µm |
| Responsivity @ 850nm | 0.10 (0.20) | 0.10 (0.20) | 0.10 (0.20) | 0.10 (0.20) | A/W min. (typ.) |
| 1300nm | 0.80 (0.90) | 0.80 (0.90) | 0.80 (0.90) | 0.80 (0.90) | A/W min. (typ.) |
| 1550nm | 0.95 | 0.95 | 0.95 | 0.95 | A/W min. |
| Dark Current @ 5V | 0.8 (0.3) | 0.8 (0.3) | 1.0 (0.5) | 5.0 (1.0) | nA max. (typ.) |
| Capacitance @ 5V | 0.7(0.5)/0.5(0.3)-CS | 0.8 (0.6) | 1.2 (1.0) | 8.0 (4.0) | pF max. (typ.) |
| Bandwidth 50 Ω -3dB | 6/10-CS | 10 | 3 | 0.8 | GHz min. @ 5V |
| Rise/Fall time $R_L = 50\Omega$ | 0.06/0.03-CS | 0.07 | 0.1 | 0.4 | ns max. @ 5V |
| NEP @ 1550 nm | 10.0E-15 | 10E-15 | 13E-15 | 18E-15 | W/√Hz typ. |
| Case Style (standard) | TO-46(mod)/CS-1 | TO-46(mod) | TO-46(mod) | TO-46(mod) | |

Maximum Ratings

| | GAP60/CS | GAP75 | GAP100 | GAP300 | |
|-----------------------|------------|------------|------------|------------|----|
| Storage Temperature | -40 to 125 | -40 to 125 | -40 to 125 | -40 to 125 | °C |
| Operating Temperature | -40 to 85 | -40 to 85 | -40 to 85 | -40 to 85 | °C |
| Reverse Voltage | 25 | 25 | 25 | 25 | V |
| Reverse Current | 1 | 10 | 10 | 25 | mA |
| Forward Current | 10 | 10 | 10 | 100 | mA |

GPD Optoelectronics Corp.

7 Manor Parkway

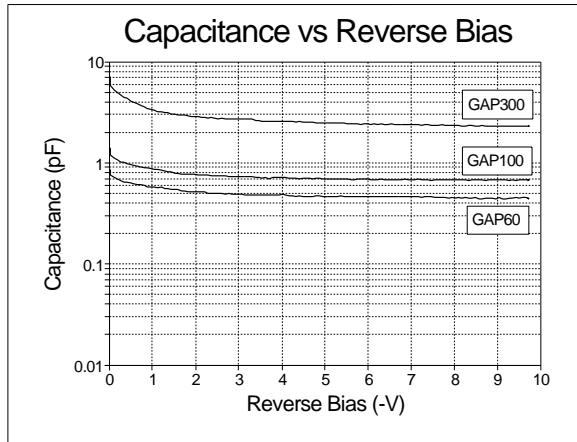
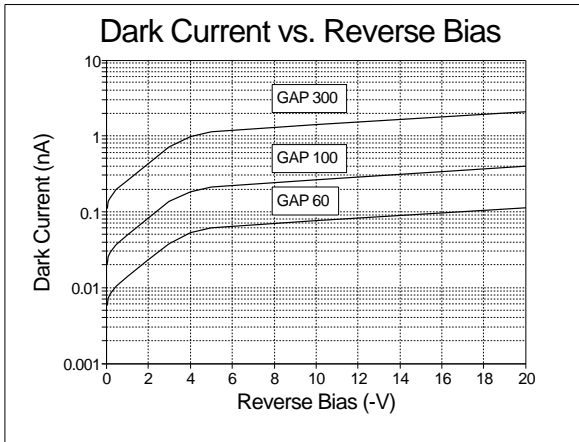
Salem, NH 03079 U.S.A.

Tel/Fax: (603)894-6865/6866

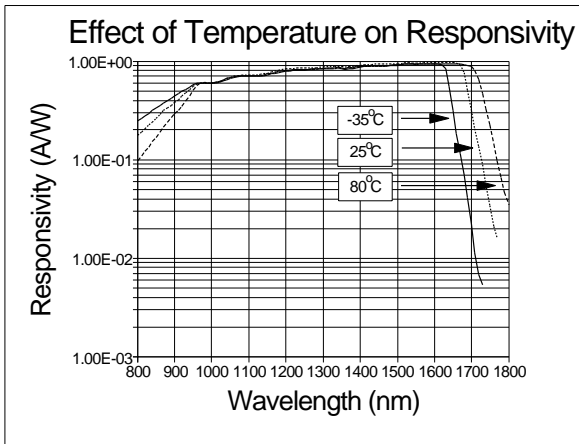
<http://www.gpd-ir.com>



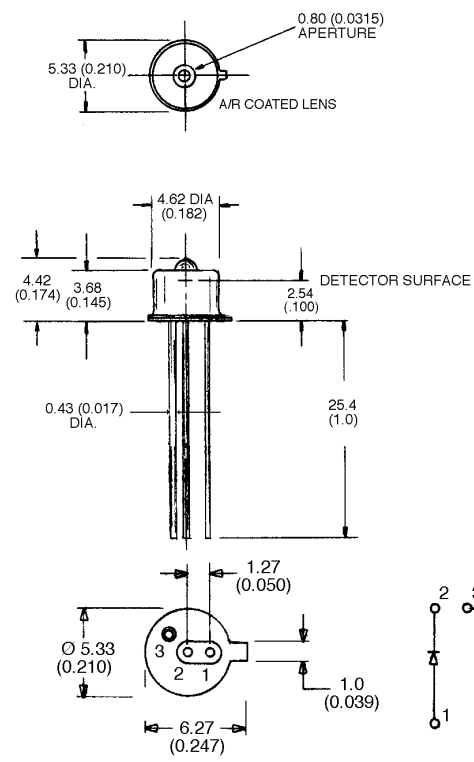
GAP60 GAP60CS GAP75 GAP100 GAP300



Package Outlines

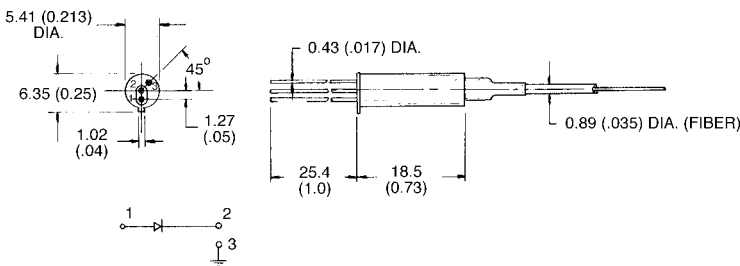


TO-46 (Modified)



Package Outlines

"PT" Assembly



Dimensions in mm (in.) Custom packages are available

GPD Optoelectronics Corp.

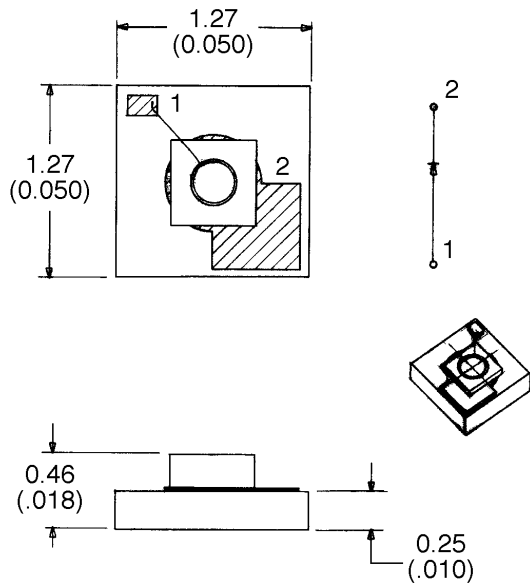
7 Manor Parkway
Salem, NH 03079 U.S.A.
Tel/Fax: (603)894-6865/6866
<http://www.gpd-ir.com>



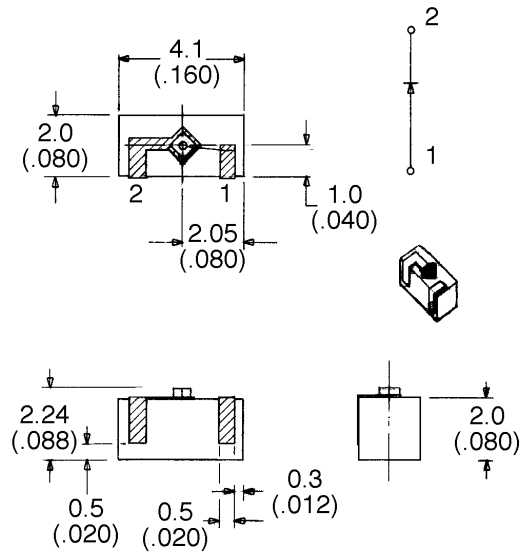
Ceramic Submounts

Dimensions in mm (in.) Custom submounts are available.

CS-1



CS-2



GPD Optoelectronics Corp.

7 Manor Parkway
Salem, NH 03079 U.S.A.
Tel/Fax: (603)894-6865/6866
<http://www.gpd-ir.com>