



High Power Polarization Insensitive Circulator (HPCIR Series)

Rev 11E

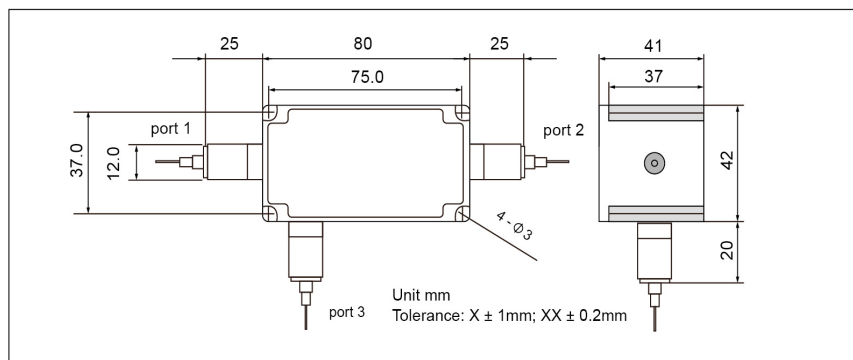
Description

The High Power Polarization Insensitive Circulator is characterized with low insertion loss, high isolation, high power handling, high return loss. It is ideal for fiber laser and instrumentation applications.

Specifications

Parameter	Unit	Value
Center Wavelength (λ_c)	nm	1064
Operating Wavelength Range	nm	$\lambda_c \pm 10$
Typ. Peak Isolation	dB	25
Min. Isolation, λ_c , 23 °C	dB	22
Typ. Insertion Loss, 23 °C	dB	0.8
Max. Insertion Loss, 23 °C	dB	1
Max. Polarization Dependent Loss	dB	0.2
Min. Crosstalk	dB	45
Min. Return Loss	dB	45
Max. Average Optical Power	W	10
Max. Peak Power for ns Pulse	kW	10
Max. Tensile Load	N	5
Fiber Type	-	HI 1060 Fiber
Operating Temperature	°C	+ 10 to + 50
Storage Temperature	°C	0 to + 60

Package Dimensions



Ordering Information

HPCIR-①①-②②-③③-④④-⑤⑤-⑥⑥-⑦⑦

①①: Wavelength

06 - 1064 nm

SS - Specify

②②: Handling Power

03 - 3 W

10 - 10 W

SS - Specify

③③: Connector Type

N - None

④④: Fiber Jacket

B - 250 μ m Bare Fiber

L - 900 μ m Loose Tube

S - Specify

⑤⑤: Fiber Length

1 - 1.0 m

S - Specify

⑥⑥: Fiber Type

1 - HI 1060 Fiber

2 - Nufern FUD-3584 fiber

3 - Nufern LMA-GDF-20/130-M

S - Specify

⑦⑦: Power Type

P - Pulse Application

C - Continuous Wave

