



## LaseGuard™ High Power Free Space Isolator (HPDFSI Series)

Spec. Review No. SR16931 Date: Nov. 08, 2017

The High Power Free Space Isolator Series is designed for protecting your high power laser from back reflection at wavelengths and beam sizes. The high isolation, low insertion loss and large aperture features make it flexible to fit different applications.

### Key Features

High Isolation

Low Insertion Loss

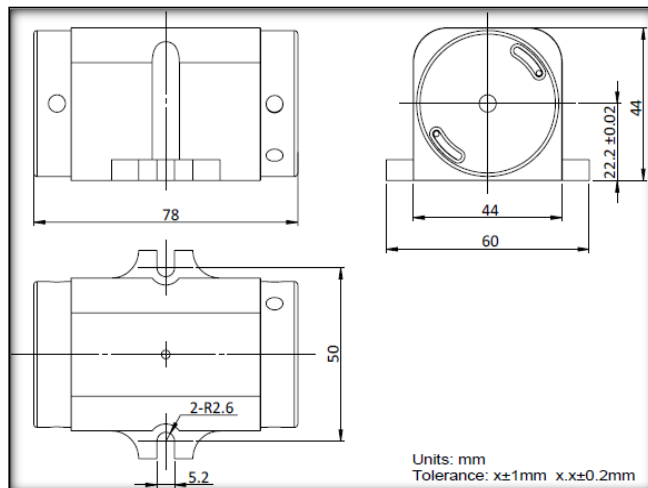
Minimal Thermal-lensing

Optional  $\lambda/2$  Plate Available for All Isolators

### Specifications

Parameter	Unit	Value
Center Wavelength ( $\lambda_c$ )	nm	Specified by ordering info
Peak Transmission	%	>95
Peak Isolation	dB	>33
Input Polarization		Specified by ordering info
Output Polarization		Specified by ordering info
Power Handling	W	200
Damage Threshold		10 J/cm <sup>2</sup> @ 10 ns 1 J/cm <sup>2</sup> @ 8 ps
Operating Temperature	°C	10 to 30
Storage Temperature	°C	-40 to 70

### Package Dimensions



### Ordering Information

HPDFSI-①①①①-②-③③-④④

①①①①: Wavelength

1064 - 1064 nm

SSSS - Specify

②: Aperture

3 -  $\Phi$ 3.0 mm5 -  $\Phi$ 5.0 mm

S - Specify

③③: Input Polarization

90 - 90 Degree (Vertical)

00 - 0 Degree (Horizontal)

45 - 45 Degree

SS - Specify

④④: Output Polarization

90 - 90 Degree (Vertical)

00 - 0 Degree (Horizontal)

45 - 45 Degree

SS - Specify

