



## High Power Polarization Insensitive Isolator (HI Series)

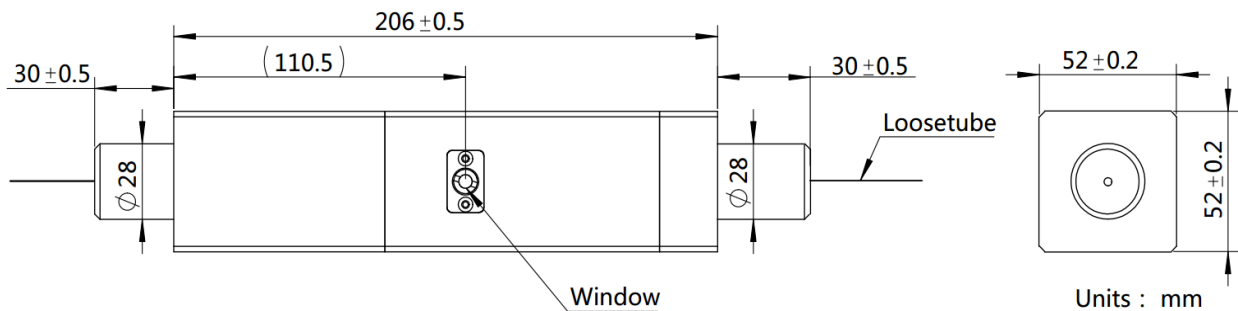
Spec Review No.: SR18475 Date: Dec. 07, 2018

The 1064 nm High Power Polarization Insensitive Isolator is characterized with low insertion loss, high isolation, high power handling, high return loss, excellent environmental stability and reliability. It is ideal for fiber laser and instrumentation applications.

### Specifications

Parameter	Unit	Value
Center Wavelength ( $\lambda_c$ )	nm	1064
Operating Wavelength Range	nm	$\lambda_c \pm 10$
Min. Isolation, $\lambda_c$ , 23 °C, all polarization states	dB	28
Typ. Insertion Loss, 23 °C	dB	0.3
Max. Insertion Loss, 23 °C	dB	0.4
Max. Polarization Dependent Loss	dB	0.2
Min. Return Loss	dB	50
Max. Average Optical Power	W	200
Max. Peak Power for ns Pulse	kW	30
Max. Tensile Load	N	5
Fiber Type		Specified by ordering info
Operating Temperature	°C	10 to +50
Storage Temperature	°C	0 to +60

### Package Dimensions



### Ordering Information

HI-①①①①-②②②-③-④-⑤-⑥-⑦

①①①①: Wavelength

1064 - 1064 nm

SSSS - Specify

②②②: Handling Power

200 - 200 W

SSS - Specify

③: Fiber Jacket

B - bare fiber

L - 900  $\mu$ m loose tube

S - Specify

④: Fiber Length

1 - 1.0 m

S - Specify

⑤: Input Fiber Type

1 - Nufern LMA-GDF-30/250-M

S - Specify

⑥: Output Fiber Type

1 - Nufern MM-GDF-50/400-12-FA

S - Specify

⑦: Power Type

P - Pulse Application

C - Continuous Wave

Tel: +86 756 389 8035

Website: [www.fiber-resources.com](http://www.fiber-resources.com)

Email: [sales@fiber-resources.com](mailto:sales@fiber-resources.com)

