



N × 1 High Power Laser Combiner (HPLC Series)

Rev 11

Description

The High Power N × 1 Laser Combiner is designed for combining the power from N units of kW class fiber laser with high efficiency. Available for different fiber types.

Key Features

- High Power Transfer Efficiency
- Custom Configurations Available
- Proprietary Fiber Tapering Technique

Applications

- Multi-Kilowatt Fiber Lasers

Specifications

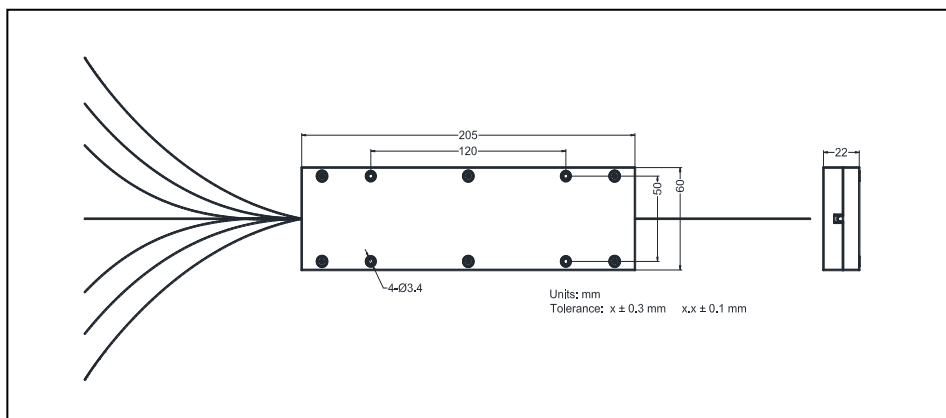
Parameter	Unit	Value
Product Type ¹	-	3 × 1 or 4 × 1 or 7 × 1
Laser Wavelength Range	nm	1060 - 1080
Fiber Type For Input	-	20/130, NA = 0.08/0.46
Fiber Type For Output	-	100/120/360, NA = 0.22 or 50/70/360, NA = 0.22
Input Power Handling per Port	W	3000
Max. Backward Power Handling ²	W	1000
Min. Power Transfer Efficiency ²	%	97
Max. Beam Parameter Product (BPP)	mm mrad	4
Package Dimensions	mm	205 × 60 × 22
Operating Temperature (Active Cooling Required)	°C	0 to + 65
Storage Temperature	°C	- 40 to + 85

¹If you have special product type requirements, please contact us.

²The power in the core of the fiber.

³Do NOT operate without proper high power termination (QBH cable, for example).

Package Dimensions



Ordering Information

HPLC-Nx1-①①①①-②②-③③/③③③-④

①①①①: Laser Wavelength	②②: Fiber Type For Input	③③/③③③: Fiber Type For Output	④: Fiber Length
1080 - 1080 nm	20 - 20/130, NA = 0.08/0.46	50 - 50/70/360, NA = 0.22	1 - 1 m
SSSS - Specify	SS - Specify	100 - 100/120/360, NA = 0.22	2 - 2 m
		SSS - Specify	S - Specify