

FTBx-9150 Optical Switch




EXFO | MULTILINK

Provides highly accurate and repeatable fiber-to-fiber switching.

KEY FEATURES

1 x 2, 1 x 4, 1 x 8, 1 x 12, 1 x 16, 1 x 24, 1 x 32, 2 x 2, 2 x 4

Singlemode and multimode

High performance

Variety of connector options

RELATED PRODUCTS AND ACCESSORIES



Rackmount Platform
LTB-8



Power Meter
FTBx-1750

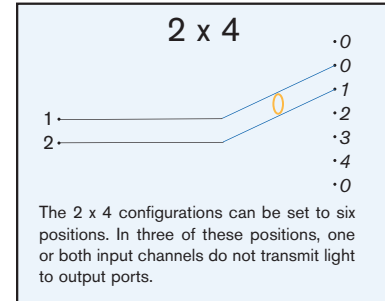
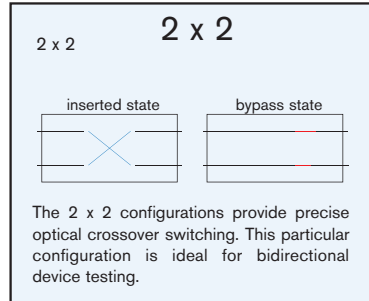
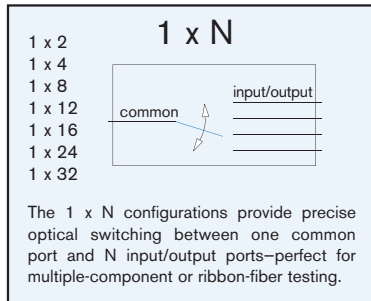


Multi-User Interface
EXFO Multilink

EXFO

THE OPTICAL SWITCHING SOLUTION

The FTBx-9150 Optical Switch series provides highly accurate and repeatable fiber-to-fiber switching. As part of the LTB-8-based test systems, the FTBx-9150 Optical Switch offers a choice of 1 x 2, 1 x 4, 1 x 8, 1 x 12, 1 x 16, 1 x 24, 1 x 32, 2 x 2 and 2 x 4 modules. Designed for minimal reflectance, the switches integrate precision optical components into a compact modular package. Both singlemode and multimode versions are available and offer a solution for all your optical switching needs.



SUPPORTING VARIOUS APPLICATIONS

Optical switches are basic components integrated into almost every test station. The FTBx-9150 offers specifications and features to support a wide variety of applications:

- › Multiple component testing
- › Bidirectional testing
- › Automated testing
- › Remote testing
- › Signal monitoring
- › Equipment sharing

LTB-8 PLATFORM

The LTB-8 is a highly scalable and compact platform featuring the industry's best 100G port density and hot-swap capabilities for no downtime or interruption in tests, and greatly improved efficiency.

The FTBx-9150 can be easily remote-controlled by means of the standard LAN or optimal GPIB interface using SPCI commands, IVI drivers or any other automation software.



光技術をサポートする

株式会社オプトサイエンス

<http://www.optoscience.com>

東京本社 〒160-0014 東京都新宿区内藤町1番地 内藤町ビルディング TEL:03-3356-1064
 大阪支店 〒532-0011 大阪市淀川区西中島7-7-2 新大阪ビル西館 TEL:06-6305-2064
 名古屋営業所 〒450-0002 名古屋市中村区名駅2-37-21 東海ソフトビル TEL:052-569-6064

E-mail: info@optoscience.com

SPECIFICATIONS ^a							
Model		1 x 2		1 x 4, 1 x 8, 1 x 12, 1 x 16, 1 x 24, 1 x 32, 2 x 4 ^b		2 x 2	
Mode		Singlemode	Multimode	Singlemode	Multimode	Singlemode	Multimode
Insertion loss ^c (dB)	typical	0.5	0.5	0.7	0.5	0.8	0.5
	maximum	1.5	1.5	1.7	1.7	1.5	1.5
Backreflection ^d (dB)	maximum	-55	-24	-55	-24	-55	-24
Repeatability ^e (dB)	maximum	±0.01	±0.01	±0.03	±0.03	±0.01	±0.01
Operating wavelengths (nm)		1290 to 1650	780 to 1350	1290 to 1650	780 to 1350	1290 to 1650	780 to 1350
Polarization-dependent loss ^f (dB)	typical	≤0.05	-	≤0.05	-	≤0.05	-
	standard maximum	0.10	-	0.10	-	0.10	-
	Maximum input power (dBm)	+24	+24	+24	+24	+24	+24
Switching time (ms)		25	25	25 per channel + 425 (debouncing)		25	25
Number of channels		1 x 2	1 x 2	1 x 4, 1 x 8, 1 x 12, 1 x 16, 1 x 24, 1 x 32		2 x 2	2 x 2
Crosstalk (dB)		-80	-80	-80	-80	-80	-80

GENERAL SPECIFICATIONS								
Switch		1 x 2	1 x 4	1 x 8	1 x 12, 1 x 16	1 x 24, 1 x 32	2 x 2	2 x 4
Number of slots		1	2	3	4	4	1	2
Dimensions	Height	25 mm (1 in)	50 mm (2 in)	75 mm (3 in)	100 mm (4 in)	100 mm (4 in)	25 mm (1 in)	50 mm (2 in)
	Width	159 mm (6 ¼ in)	159 mm (6 ¼ in)	159 mm (6 ¼ in)	159 mm (6 ¼ in)	159 mm (6 ¼ in)	159 mm (6 ¼ in)	159 mm (6 ¼ in)
	Depth	185 mm (6 ⅞ in)	185 mm (6 ⅞ in)	185 mm (6 ⅞ in)	185 mm (6 ⅞ in)	185 mm (6 ⅞ in)	185 mm (6 ⅞ in)	185 mm (6 ⅞ in)
Switch life		10 million cycles minimum						
Temperature	operating	10 °C to 40 °C (50 °F to 104 °F)						
	storage	-20 °C to 60 °C (-4 °F to 140 °F)						
Relative humidity maximum		80 % non-condensing at 40 °C						
Instruments Drivers								
IVI drivers and SCPI commands								
Remote Control								
With LTB-8 and Ethernet								
Standards Accessories								
User guide and certificate of compliance								

Notes

- a. Specifications valid at 23 °C ± 5 °C.
- b. Non-blocking.
- c. Insertion loss per module, excluding connectors, measured at singlemode wavelengths of 1310 and 1550 nm, and multimode wavelength of 850 nm.
- d. Backreflection is measured at singlemode wavelengths of 1310 and 1550 nm, with APC connectors, and multimode wavelength of 850 nm.
- e. Repeatability values are for 100 cycles per switch module at constant temperature with stabilized source/meter at singlemode wavelengths of 1310 and 1550 nm, and multimode wavelengths of 850 and 1300 nm.
- f. Measured at 1550 nm.

ORDERING INFORMATION

FTBx-9150-XX-XX-XX-XX

Switch configuration ■

01 = 1 x N
 02 = 2 x N^a

Channel configuration ■

02 = 2 channels
 04 = 4 channels
 08 = 8 channels
 12 = 12 channels
 16 = 16 channels
 24 = 24 channels
 32 = 32 channels

Fiber ■

B = 9/125 μm singlemode
 C = 50/125 μm multimode
 D = 62.5/125 μm multimode

Connector ■

50 = FC/PC^c
 54 = SC/PC^c
 58 = FC/APC^b narrow key
 88 = SC/APC^b
 89 = FC/UPC^b
 91 = SC/UPC^b
 101 = LC/UPC^e
 104 = LC/APC^{b,e}
 EI-EUI-89 = UPC/FC narrow key^d
 EI-EUI-90 = UPC/ST^d
 EI-EUI-91 = UPC/SC^d
 EI-EUI-98 = UPC/LC^d
 EA-EUI-89 = APC/FC narrow key^{b,d}
 EA-EUI-91 = APC/SC^{b,d}
 EA-EUI-98 = APC/LC^{b,d}

Example: FTBx-9150-01-04-B-EI-EUI-89

Notes

- 2 x N configurations available only with 2- and 4-channel options.
- Singlemode only.
- Multimode only.
- Available on 1 x 2, 1 x 4, 1 x 8, 1 x 12, 1 x 16, 2 x 2 and 2 x 4 switches.
- Available for 1 x 24 and 1 x 32 switches.

EXFO Headquarters > Tel.: +1 418 683-0211 | Toll-free: +1 800 663-3936 (USA and Canada) | Fax: +1 418 683-2170 | info@EXFO.com | www.EXFO.com

EXFO serves over 2000 customers in more than 100 countries. To find your local office contact details, please go to www.EXFO.com/contact.

EXFO is certified ISO 9001 and attests to the quality of these products. EXFO has made every effort to ensure that the information contained in this specification sheet is accurate. However, we accept no responsibility for any errors or omissions, and we reserve the right to modify design, characteristics and products at any time without obligation. Units of measurement in this document conform to SI standards and practices. In addition, all of EXFO's manufactured products are compliant with the European Union's WEEE directive. For more information, please visit www.EXFO.com/recycle. Contact EXFO for prices and availability or to obtain the phone number of your local EXFO distributor.

For the most recent version of this spec sheet, please go to the EXFO website at www.EXFO.com/specs.

In case of discrepancy, the web version takes precedence over any printed literature.