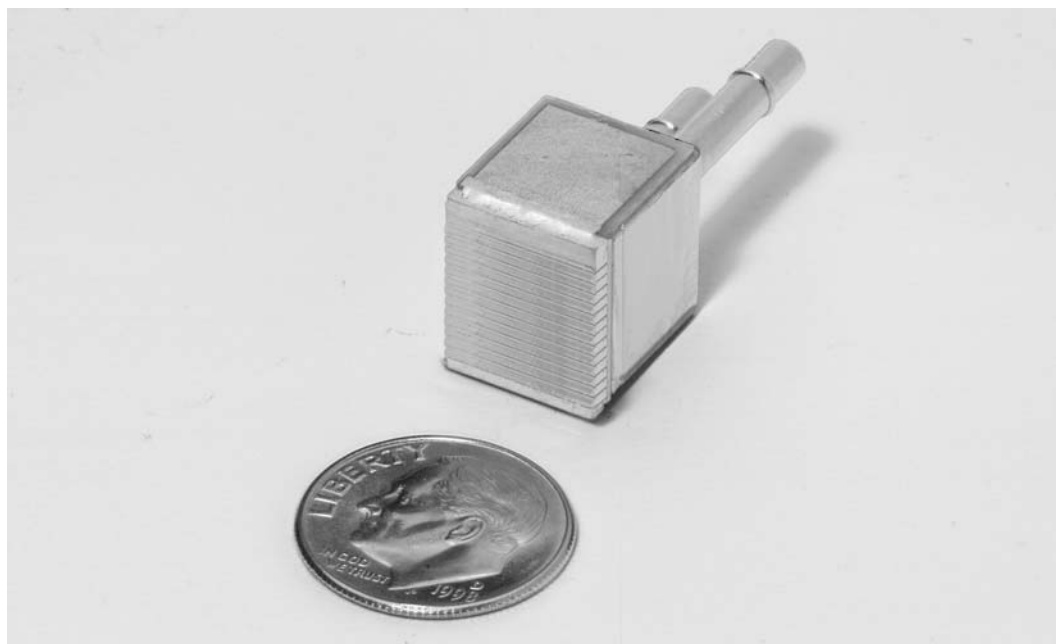


# 500W QCW Lensed Laser Diode Array

## Part Number: LAR23P500

### E2 PACKAGE

- Packaged 13-Bar Lensed Laser Diode Array
- Available Wavelengths 790-1550nm
- Other Powers Are Also Available



### OPTICAL CHARACTERISTICS

PARAMETER	CONDITIONS	MIN	TYP	MAX	UNITS
QCW Peak Power Output	55A, 1 mS, 50 Hz	500	---	---	W
Operating Current	500W at 25°C Heat Sink	---	74	80	A
Threshold Current	25°C Heat Sink	---	13	16	A
Center Wavelength	500W at 25°C Heat Sink	---	808	---	nm
Wavelength Tolerance	500W at 25°C Heat Sink	---	± 5	---	nm
Spectral Width FWHM	500W at 25°C Heat Sink	---	3.0	4.0	nm
Wavelength Shift	---	0.23	0.25	0.27	nm/°C
Beam Divergence FWHM	---	---	3x10	---	° x °

### ELECTRICAL CHARACTERISTICS

PARAMETER	CONDITIONS	MIN	TYP	MAX	UNITS
Series Resistance	25°C Heat Sink	---	0.104	0.156	ohms
Operating Voltage	25°C Heat Sink, 500W	---	26.0	29.9	V

### ABSOLUTE MAXIMUM RATINGS

PARAMETER	CONDITIONS
Forward Current	70A
Reverse Current	25μA
Reverse Voltage	3V
Operating Temperature Range <sup>(2)</sup>	-20°C to 50°C
Storage Temperature Range	-40°C to 85°C

#### NOTES

- (1) These specifications apply for operations at 808nm. Other wavelengths available upon request.
- (2) A dry nitrogen environment should be provided by the user when storing and operating at temperatures below ambient dew point.

**NORTHROP GRUMMAN**

*Space Technology*

Cutting Edge Optronics

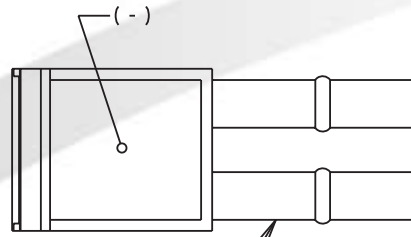


光技術をサポートする  
**株式会社オプトサイエンス**

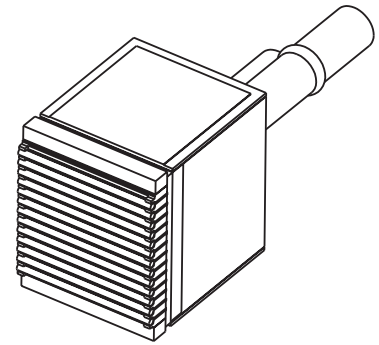
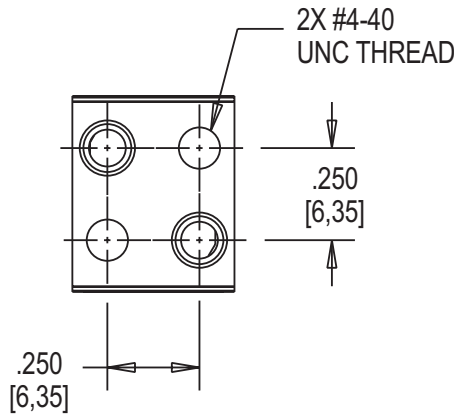
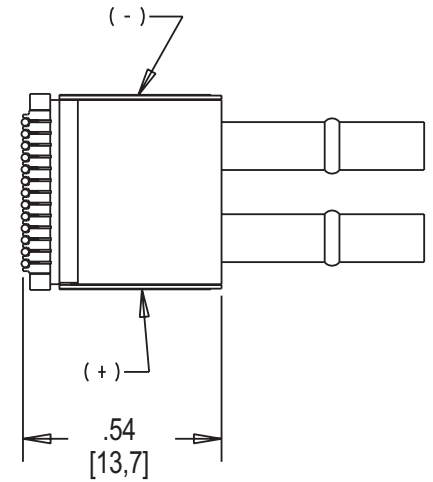
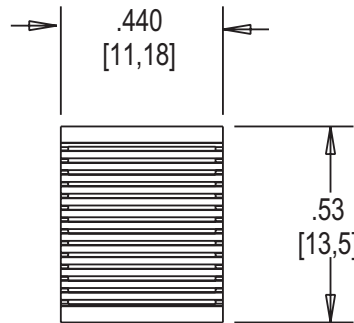
<http://www.optoscience.com>

東京本社 〒160-0014 東京都新宿区内藤町1番地 内藤町ビルディング  
TEL:03(3356)1064 FAX:03(3356)3466 E-mail:info@optoscience.com  
大阪支店 〒532-0011 大阪市淀川区西中島7-7-2 新大阪ビル西館  
TEL:06(6305)2064 FAX:06(6305)1030 E-mail:osk@optoscience.com  
名古屋営業所 〒450-0002 名古屋市中村区名駅2-37-21 東海ソフトビル  
TEL:052(569)6064 FAX:052(569)8064 E-mail:ngo@optoscience.com

# MECHANICAL CHARACTERISTICS



2X 1/8" Tubulation  
use tubing p/n #vinl-125  
& clamp p/n #clmp-125  
from Scanivalve Corp.



Copyright © 2003 Northrop Grumman Cutting Edge Optronics  
All Rights Reserved. Northrop Grumman Cutting Edge Optronics  
reserves the right to change product design and specifications at  
any time without notice.

No license is granted by implication or otherwise under any patents  
or patent rights of Northrop Grumman Cutting Edge Optronics  
or others.

No responsibility is assumed for the use of these products, nor for  
any infringement on the rights of others resulting from the use of  
these products.

Information contained herein is believed to be reliable and accurate.

This Product is covered by one or more of the following Patents: 5,898,211 5,985,684 5,913,108 6,310,900 Other US and Foreign Patents Pending.

Laser diode product components are intended for use in a user-devised  
end system. However, these products are capable of emitting Class IV  
radiation. Extreme care must be exercised during their operation. Only  
persons familiar with the appropriate safety precautions should operate  
a laser product. Directly viewing the laser beam or exposure to specular  
reflections must be avoided. Serious injury may result if any part of the  
body is exposed to the beam. The eye is extremely sensitive to the  
infrared radiation and therefore, proper eyewear must be worn at all  
times. Use of optical instruments with these products may increase  
eye hazard. Always wear proper eye protection when operating.

**NORTHROP GRUMMAN**

*Space Technology*

**Cutting Edge Optronics**



Rev B 02/04

20 Point West Blvd. St. Charles, MO 63301 636.916.4900 p 636.916.4994 f

www.st.northropgrumman.com/ceolaser st-ceolaser-info@ngc.com