



Benefits:

- Perfect for cameras with 90° viewing direction
- Robust construction
- Compact design
- High IP protection class
- High chemical resistance
- Vibration-proof mounting
- Camera mount included
- Good heat dissipation
- Special lid with twin window for Flir Ax8



Technical Details:

Inner Width	68mm
Inner Length	150mm
Max. Camera Height [incl. lens]	36mm [42mm] (S) 36mm [72mm] (ST)
Enclosure Dimensions (w x h x l, no cable gland)	175 x 80 x 62mm (S) 175 x 80 x 92mm (ST)
Window Aperture	42mm (2" window) 28/17mm (Ge/BK7, Ax8)
Standard Window 2" IR Mirror 2" Sapphire 2" Germanium 2" Acrylic, uncoated 2" Acrylic, double sided AR	BK7, double sided ARC Order Number: 20.000.010 Order Number: 20.000.016 Order Number: 20.000.017 Order Number: 20.000.058 Order Number: 20.000.029
Window Seal	FKM Hytrel (Ax8)
Protection Class	IP66 (Nema 4) IP67 (Nema 6)

Weight	Approx. 710g (S) Approx. 880g (ST)
Enclosure Material	Powder Coated Aluminum
Enclosure Seals	Polyurethane
Cable Gland Aperture (max. connector size)	20mm
Cable Diameter	Self drilling
Cable Gland Seal	TPE



The mount provides good heat dissipation



Different lid versions are available, also with Double Window Germanium/Glas for the Flir Ax8

Order Numbers (please specify the camera type for each order!):

Chameleon S	20.100.062	Chameleon ST	20.100.092
Chamäleon S Ax8	20.100.094		



The double window enables the use of IR and optical camera at the same time



Ax8 enclosure with air nozzle

Accessories:

Product	Image	Order No.	Product	Image	Order No.	Product	Image	Order No.
2" Wind-curtain		50.100.010	Mounting Kit 1		5.010.000	Mounting Kit 9		5.090.000
Tube Wind Curtain 2"		50.100.017	Mounting Kit 2		5.020.000	Mounting Kit 10		5.100.000
Mounting Plate S		20.105.997	Mounting Kit 6		5.060.000	Mounting Kit 15		5.150.000
Air Nozzle		50.100.025	Mounting Kit 7		5.070.000	Mounting Kit 16/16m		5.160.000 5.160.000m
						Mounting Kit 17/17m		5.170.000 5.170.000m



Benefits:

- Robust construction
- High IP protection class
- High chemical resistance
- Vibration-proof mounting
- Camera mount included
- Perfect for cameras with 90° viewing direction
- Integration of ring lights possible
- Dome window option



Technical Details:

Inner Width	111mm
Inner Length	204mm
Max. Camera Height (incl. lens, +30mm or +60mm with extension)	48mm (L65) 58mm (L75) 63mm (L80) 73mm (L90)
Enclosure Dimensions (w x h x l, without cable gland)	220 x 120 x 65mm (L65) 220 x 120 x 75mm (L75) 220 x 120 x 80mm (L80) 220 x 120 x 90mm (L90)

Weight	Approx. 1500g (L65) Approx. 1600g (L75) Approx. 1700g (L80) Approx. 1800g (L90)
Enclosure Material	Powder Coated Aluminum
Enclosure Seals	Polyurethane

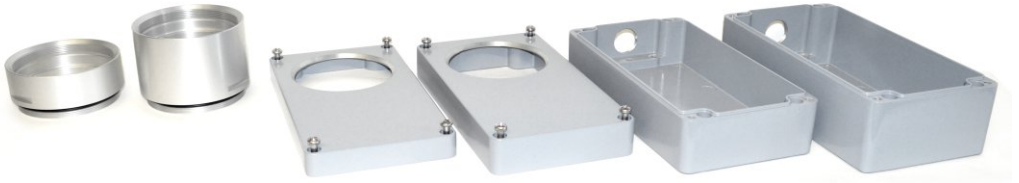
Window Aperture	45mm (2" window) 76mm (3" window)
Standard Window	BK7, double sided ARC
2" IR Mirror	Order Number: 20.000.010
2" Sapphire	Order Number: 20.000.016
2" Germanium	Order Number: 20.000.017
3" Germanium	Order Number: 20.000.018
2" Acrylic, uncoated	Order Number: 20.000.058
2" Acrylic, double sided AR	Order Number: 20.000.029
3" Acrylic, double sided AR	Order Number: 20.000.033
Window Seal	EPDM

Cable Gland Aperture (max. connector size)	20mm
Cable Diameter	Self drilling
Cable Gland Seal	TPE

Protection Class	IP66 (Nema 4) IP67 (Nema 6)
-------------------------	--------------------------------



The mount guarantees good heat dissipation



The components can be combined in multiple variations to adapt to the height of the camera/lens combination

Order Numbers (please specify the camera type!):

Chameleon L	
Enclosure Type	Order Number
L65	20.105.065
L75	20.105.075
L80	20.105.080
L90	20.105.090

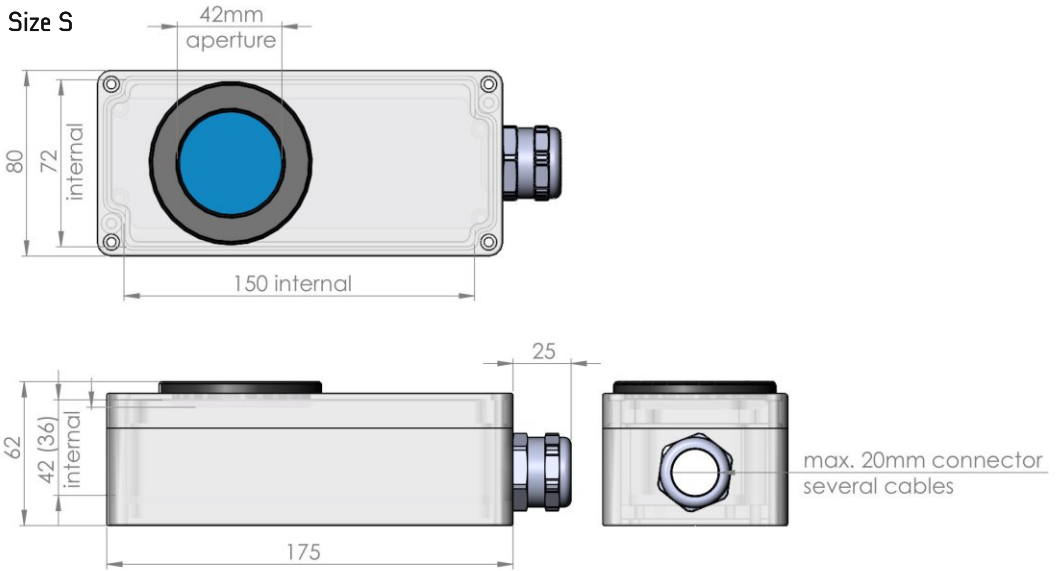


Accessories:

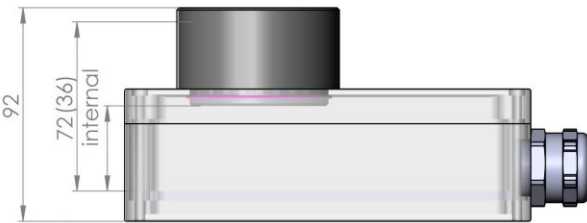
Product	Image	Order No.	Product	Image	Order No.	Product	Image	Order No.
3" Wind Curtain		50.100.011	Moun. Plate Crosswise		20.105.998 for L only	Mounting Kit 9		5.090.000
Tube Wind Curtain 3"		50.100.018	Moun. Plate Lengthwise		20.105.999 for L only	Mounting Kit 10		5.100.000
Dome Window		20.040.015 for L only	Mounting Kit 1		5.010.000	Mounting Kit 15		5.150.000
30mm Extension		15.030.030 for L only	Mounting Kit 2		5.020.000	Mounting Kit 16/16m		5.160.000 5.160.000m
60mm Extension		15.030.085 for L only	Mounting Kit 6		5.060.000	Mounting Kit 17/17m		5.170.000 5.170.000m
M72 Front Lid		20.040.018 for L only	Mounting Kit 7		5.070.000	Mounting Tool		90.000.004 for L only



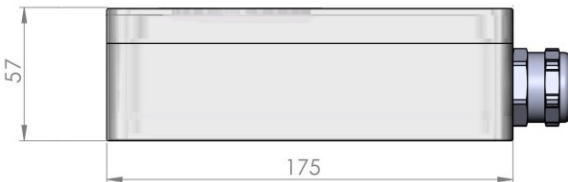
Size S

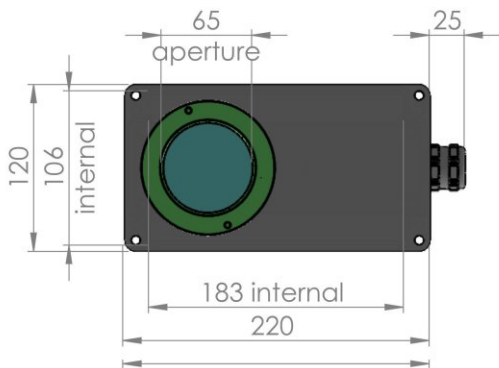


Size ST

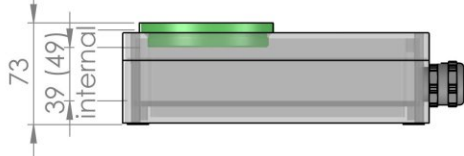


Size Ax8



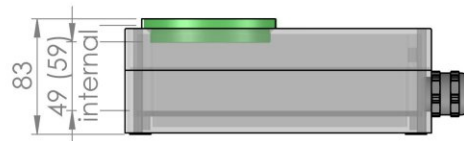


Size L65

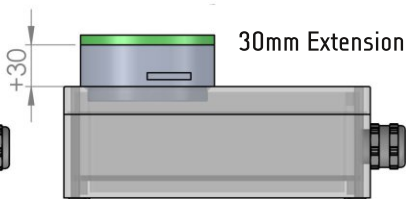
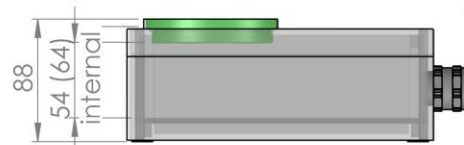


max. 20mm connector
several cables

Size L75



Size L80



Size L90

