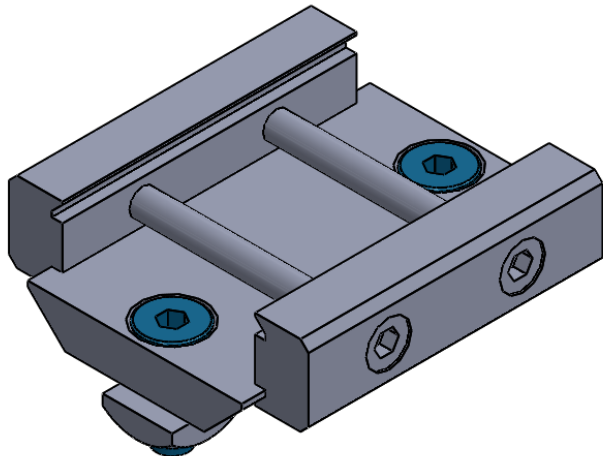
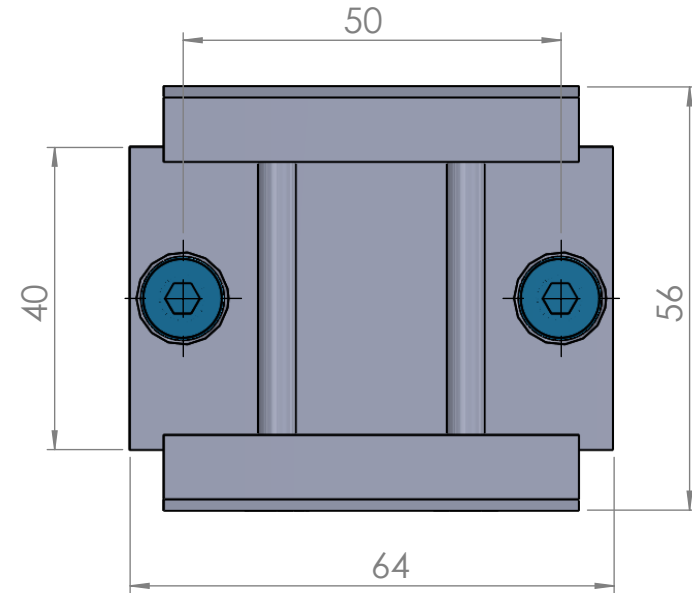
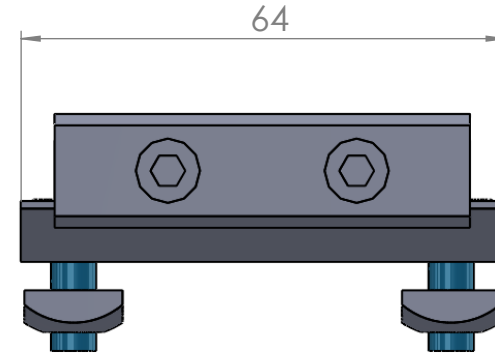
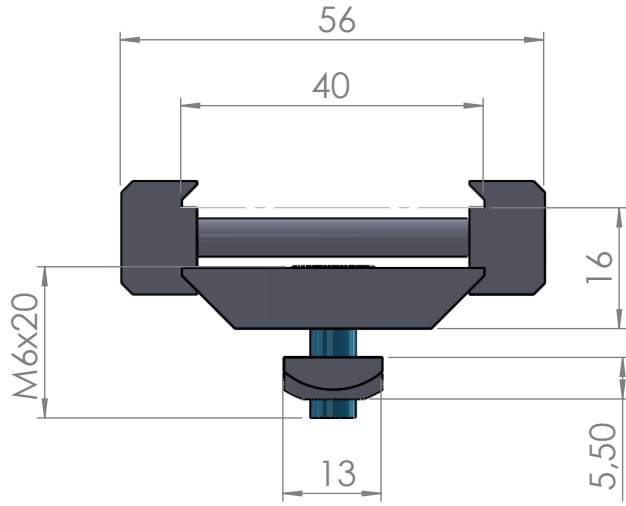


THE INFORMATION CONTAINED IN THIS DRAWING IS THE SOLE PROPERTY OF autoVimation GmbH. ANY REPRODUCTION IN PART OR WHOLE WITHOUT THE WRITTEN PERMISSION OF autoVimation GmbH IS PROHIBITED.



NEXT ASSY	USED ON
APPLICATION	

ITEM NO.	PART OR IDENTIFYING NO.	NOMENCLATURE OR DESCRIPTION	MATERIAL SPECIFICATION	QTY REQD
PARTS LIST				
UNLESS OTHERWISE SPECIFIED DIMENSIONS ARE IN MM TOLERANCES ARE:		CAD GENERATED DRAWING, DO NOT MANUALLY UPDATE		autoVimation GmbH
FRACTIONS .XX+ .XX + 1		APPROVALS	DATE	Montagesatz 1 <i>Monting Kit 1</i> Article NO. 5.010.000
+ .XXX+.XXX		DRAWN	Neuhaus 31.12.2013	
		CHECKED		
		RESP ENG		
MATERIAL		MFG ENG		SIZE A
FINISH --		QUAL ENG		SCALE
DO NOT SCALE DRAWING				CAD FILE:
				SHEET OF