

asphericon MountedOptics

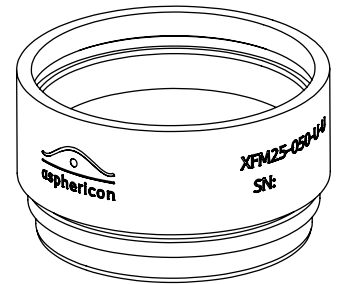
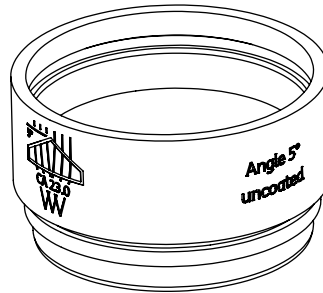
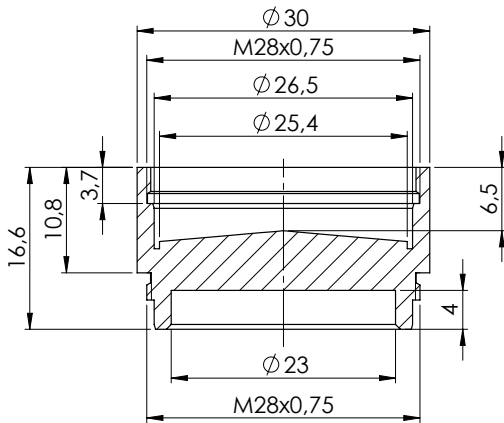
# XFM25-050

Order the axicon XFL25-050 as ultra-precise mounted lens and benefit from a perfectly aligned axicon.

## Key Benefits:

- = Thread: M28 x 0.75
- = Modular design for high compatibility to common optical systems
- = Tilt-reduced for optimal focusing
- = Clearly labeled specifications on mount for comfortable handling
- = Available with 4 standard coatings

## Technical Dimensions:



+49 (0) 3641 - 3100 560  
+1 - 941 - 564 0890



+49 (0) 3641 - 3100 561  
+1 - 941 - 584 4071



sales@asphericon.com



www.asphericon.com