

asphericon MountedOptics

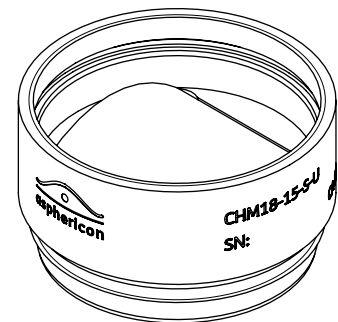
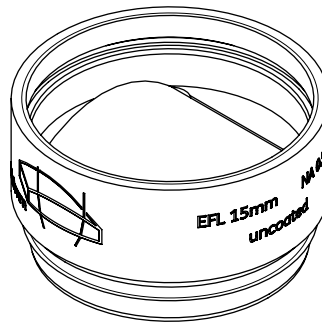
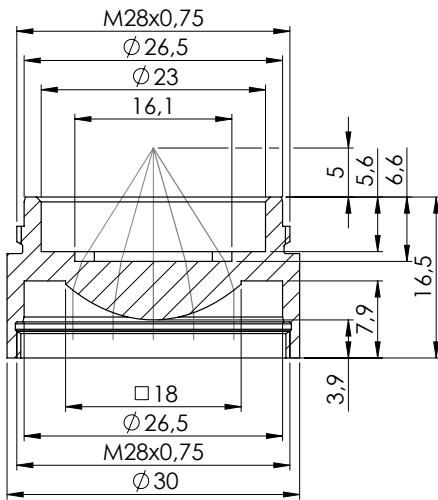
CHM18-15

Order the acylinder CHL18-15 as ultra-precise mounted lens and benefit from a perfectly aligned acylinder.

Key Benefits:

- = Thread: M28 x 0.75
- = Modular design for high compatibility to common optical systems
- = Tilt-reduced for optimal focusing
- = Clearly labeled specifications on mount for comfortable handling
- = Available with 3 standard coatings

Technical Dimensions:



+49 (0) 3641 - 3100 560
+1 - 941 - 564 0890



+49 (0) 3641 - 3100 561
+1 - 941 - 584 4071



sales@asphericon.com



www.asphericon.com