

TSM25-10-LD-D-405

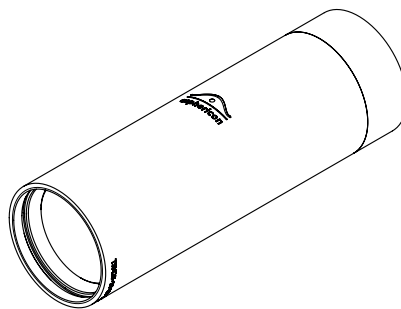
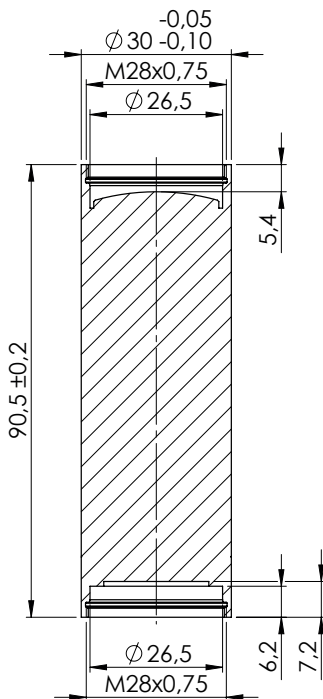
Discover innovative Gauss to Top-Hat beam shapers with compact designs and unbeatable optical performance. Available in two versions, for stable beam profiles up to 300 mm and as LongDistance (LD) variant for up to 4.5 m. Both beam shapers cover a large spectral range and accept varying input beam diameter ($\pm 10\%$). Since the effective working distance decreases with subsequent beam size reduction, using the a|TopShape LD is recommended if an application calls for smaller beam diameter.

Key Benefits:

- = Design wavelength: 405 nm, usable wavelength range: 375 - 445 nm
- = Also available design wavelengths [355 nm / 532 nm / 780 nm / 1064 nm]
- = Unbeatable optical performance (homogeneity > 90%) without any power losses
- = Large spectral range and ideal for multi-wavelength applications
- = Accepts varying input beam diameter ($\pm 10\%$)
- = Input beam diameter @ $1/e^2 = 10$ mm;
output beam diameter @ FWHM = 14.7 mm (@ 632 nm)
- = Laser induced damage threshold: 12 J/cm², 100 Hz, 6 ns, 532 nm
*For higher laser power applications please request a V-Coating.
Contact us for an individual offer.*



Technical Dimensions:



asphericon GmbH
Stockholmer Str. 9 | 07747 Jena
Germany

+49 (0) 3641 - 3100 560
+49 (0) 3641 - 3100 561

asphericon, Inc.
2601 Cattlemen Road, Suite 301
Sarasota, FL 34232 | USA

+1 - 941 - 564 0890

asphericon s.r.o.
Miliřská 449 | Jeřmanice 463 12
Czech Republic

+420 488 100 300

sales@asphericon.com

www.asphericon.com