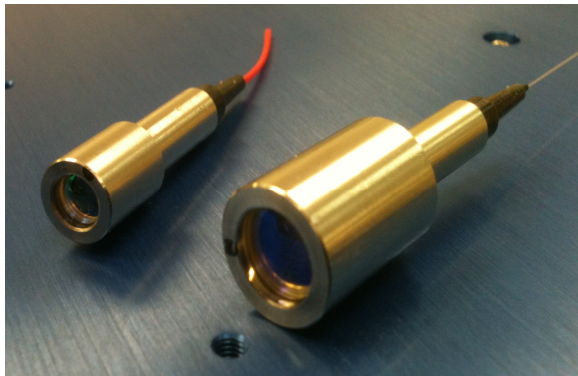




Gooch & Housego



OCT Fibre Collimator

A range of non-contact style, single mode, fibre collimators incorporating achromatic lenses. Anti-reflection coatings are employed to minimise back reflections. G&H's proprietary alignment and assembly processes produce a beam having low pointing error that is stable over a wide range of environmental conditions.

G&H OCT Fibre Collimators are manufactured to high opto-mechanical tolerances to enable simple incorporation into production line processes.

Key Features:

- Low pointing error
- Low back reflection
- Low divergence
- Custom configurations available
- High opto-mechanical tolerances
- Can be integrated with OCT couplers
- Also available at 1060nm & 1300nm

Associated Documents:

- OCT Coupler 1060nm
- OCT Coupler 850nm & 1300nm
- OCT Coupler Ultra Wideband
- OCT Coupler Application Note

Example Optical Specifications @ 840nm

2mm Diameter Beam Collimator

Parameter	Specification	Units
Lens focal	10.00+/- 0.5%	mm
Operating wavelength	840nm nominal	mm
Lens AR coating	<1% reflection at 800-900nm	
Lens diameter	5	mm
Beam diameter (1/e ²)	2.1	mm
Beam centring	<1	mrad
Beam focusing	>20	m
Mechanical OD	8mm (-0.01mm ~ -0.02mm)	
Fibre	Nufern 780-HP	

3mm Diameter Beam Collimator

Lens focal distance	16.38+/- 0.5%	mm
Operating wavelength	840nm nominal	mm
Lens AR coating	<1% reflection at 800-900nm	
Lens diameter	8	mm
Beam diameter (1/e ²)	3.2	mm
Beam centring	<1	mrad
Beam focusing	>20	m
Mechanical OD	12mm (-0.01mm ~ -0.02mm)	
Fibre	Nufern 780-HP	



光技術をサポートする

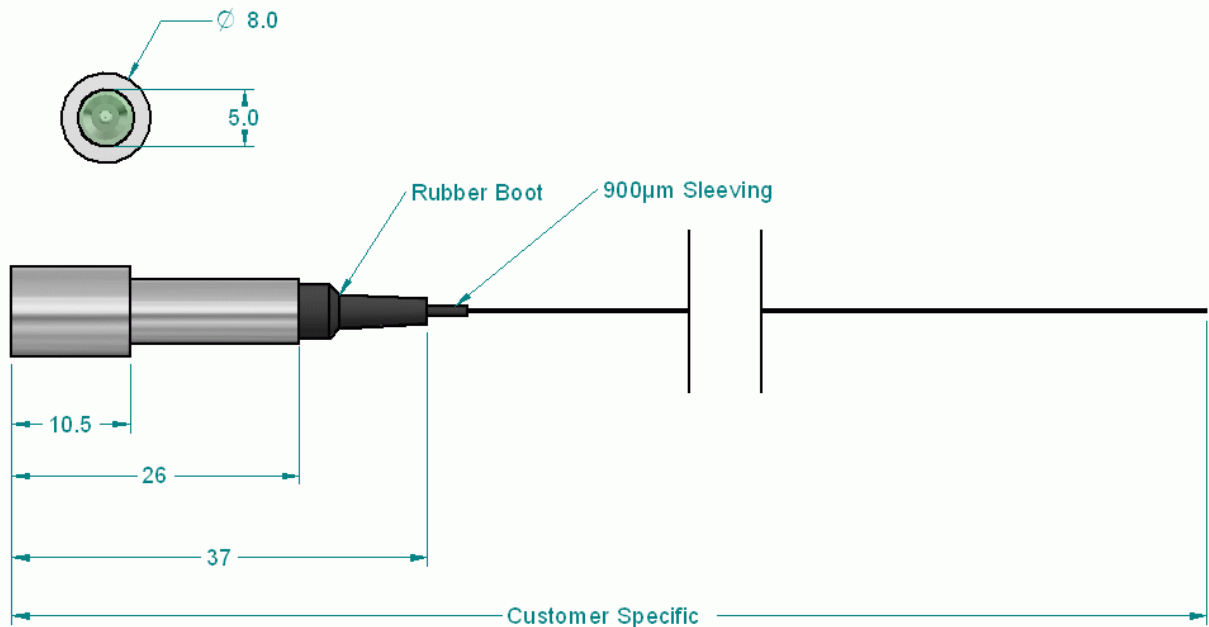
株式会社オプトサイエンス

<http://www.optoscience.com>

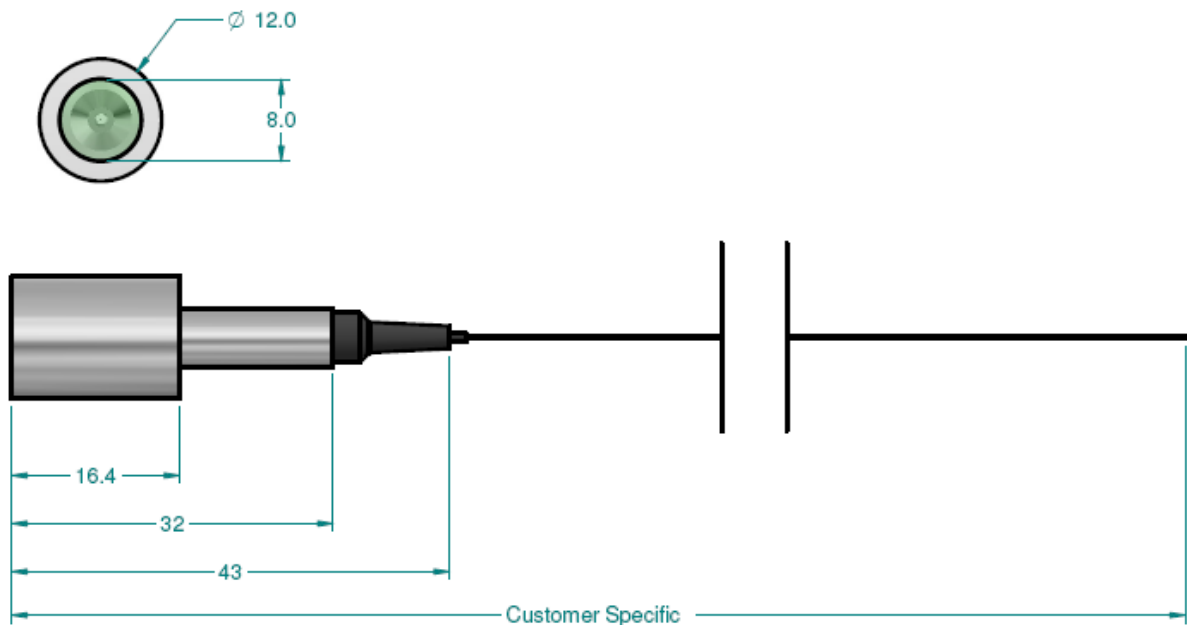
東京本社 〒160-0014 東京都新宿区内藤町1番地 内藤町ビルディング
TEL:03(3356)1064 FAX:03(3356)3466 E-mail:info@optoscience.com
大阪支店 〒532-0011 大阪市淀川区西中島7-7-2 新大阪ビル西館
TEL:06(6305)2064 FAX:06(6305)1030 E-mail:osk@optoscience.com
名古屋営業所 〒450-0002 名古屋市中村区名駅2-37-21 東海ソフトビル
TEL:052(569)6064 FAX:052(569)8064 E-mail:ngo@optoscience.com

Mechanical Specifications

2mm Diameter Beam Collimator



3mm Diameter Beam Collimator



Please contact a G&H representative to discuss your specific requirement.