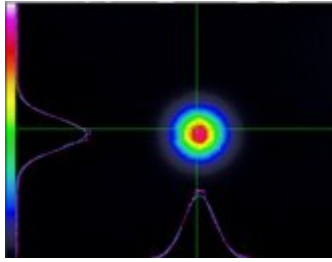


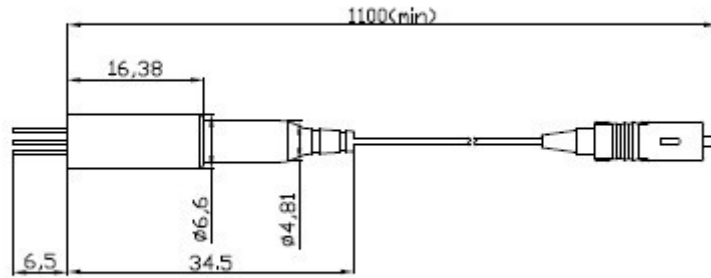
**405nm 100mW SM Coaxial Pigtailed LD with PMF**
**405nm Single Mode Fiber Coupled Laser Diode with Polarization Maintaining Fiber**
**WSLP-405-100m-PM**
**Wavespectrum Laser, Inc.**
**www.wavespectrum-laser.com**

PARAMETER	SYMBOL	VALUE	UNIT
Reverse Voltage	$V_r$	2.0	V
Operating Temperature	$T_{op}$	-10 ~ +60	°C
Storage Temperature	$T_{stg}$	-40 ~ +85	°C
Lead soldering temperature (10 sec.)	$T_{is}$	260	°C
<b>Features:</b> <ul style="list-style-type: none"> <li>● 405nm</li> <li>● 100mW output power</li> <li>● 3~4um PM UV Fiber</li> </ul>			
<b>Applications:</b> <ul style="list-style-type: none"> <li>● Printing</li> <li>● Others</li> </ul>			
<b>Specifications</b>	<b>WSLP-405-100m-PM</b>		
	Min	Type	Max
Center Wavelength@25°C	400nm	405nm	410nm
Spectral Width (FWHM)	----	2.0nm	----
Output Power	----	90mw	100mW
Fiber Type	UV Polarization Maintaining Fiber		
Fiber Core	3um		
Slope Efficiency	1.1mW/mA	1.4mW/mA	2.0mW/mA
Recommended Temperature	25 °C		
N.A.	0.12		
Fiber Connector	FC/ST/SMA905		
Fiber Length	----	80cm	100cm
Threshold Current (Typ.)	----	35mA	50mA
Operating Current (Typ.)	----	190mA	200mA
Operating Voltage	----	4.6V	5.5V
Package Style	Coaxial		
Photodiodes	Optional		

## Beam Quality

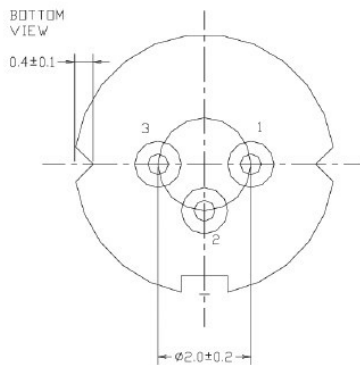


## Coaxial Package View



单位: mm

## PIN Bottom View:



<b>1</b>	<b>LD(+)</b>
<b>2</b>	<b>GND</b>
<b>3</b>	<b>LD(-)</b>

Electrically shorten LD module and store in non-extreme conditions.

Suggest using the constant current power supply.

**Caution**  
 On operation, if optical connectors are unterminated, modules can emit invisible laser radiation. Radiation emitted by laser devices can be dangerous to the eyes. Avoided eye or skin exposure to direct or scattered radiation

