

405nm 50mW SM Fiber coupled Laser Diode with PMF

405nm Single Mode Coaxial Pigtailed LD with Polarization Maintaining Fiber

WSLP-405-050m-PM

Wavespectrum Laser, Inc.

www.wavespectrum-laser.com

PARAMETER	SYMBOL	VALUE	UNIT
Reverse Voltage	V_r	5.0	V
Operating Temperature	T_{op}	0 ~ +70	°C
Storage Temperature	T_{stg}	-35 ~ +85	°C
Lead soldering temperature (10 sec.)	T_{is}	260	°C
Features: <ul style="list-style-type: none"> ● 405nm ● 3~4um PM UV Fiber ● Coaxial package ● PD Optional 			
Applications: <ul style="list-style-type: none"> ● Medical laser treatment ● Printing 			
Specifications	WSLP-405-050m-PM		
	Min	Type	Max
Center Wavelength@25°C	400nm	405nm	410nm
Spectral Width (FWHM)	----	2.0nm	----
Output Power	----	50mw	60mW
Fiber Type	UV Polarization Maintaining Fiber		
Fiber Core	3um		
Slope Efficiency	1.0mW/mA	1.5mW/mA	2.0mW/mA
Monitor Current	----	----	----
PD Reverse Voltage	----	----	----
Fiber Connector	FC/ST/SMA905		
Fiber Length	----	80cm	100cm
Threshold Current (Typ.)	----	35mA	50mA
Operating Current (Typ.)	----	110mA	130mA
Operating Voltage	----	4.6V	5.5
Package Style	Coaxial		
Polarization Rate	18dB	20dB	----



光技術をサポートする

株式会社オプトサイエンス

<http://www.optoscience.com>

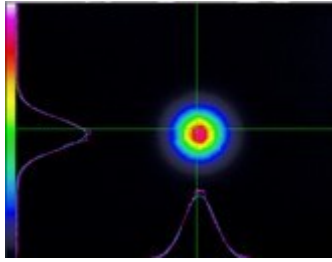
東京本社 〒160-0014 東京都新宿区内藤町1番地 内藤町ビルディング TEL:03-3356-1064

大阪支店 〒532-0011 大阪市淀川区西中島7-7-2 新大阪ビル西館 TEL:06-6305-2064

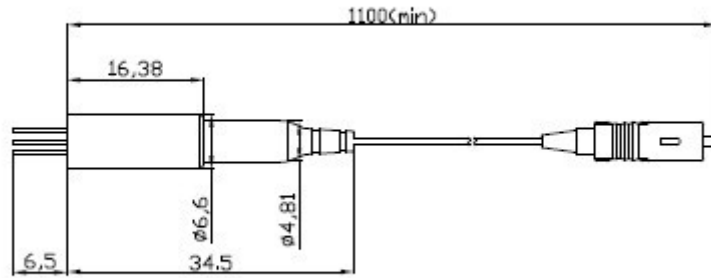
名古屋営業所 〒450-0002 名古屋市中村区名駅2-37-21 東海ソフトビル TEL:052-569-6064

E-mail:info@optoscience.com

Beam Quality

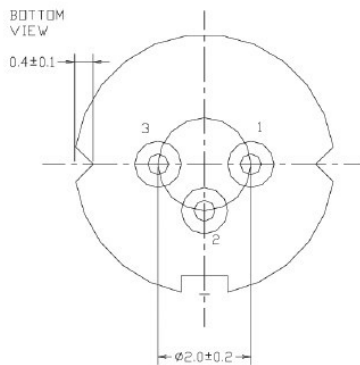


Coaxial Package View



单位: mm

PIN Bottom View:



1	LD(+)
2	GND
3	LD(-)

Electrically shorten LD module and store in non-extreme conditions.

Suggest using the constant current power supply.

Caution
 On operation, if optical connectors are unterminated, modules can emit invisible laser radiation. Radiation emitted by laser devices can be dangerous to the eyes. Avoided eye or skin exposure to direct or scattered radiation

