

## 405nm 15mw Coaxial Pigtailed LD with Polarization Maintaining Fiber

## 405nm SM Fiber coupled Laser Diode LD with PM Fiber

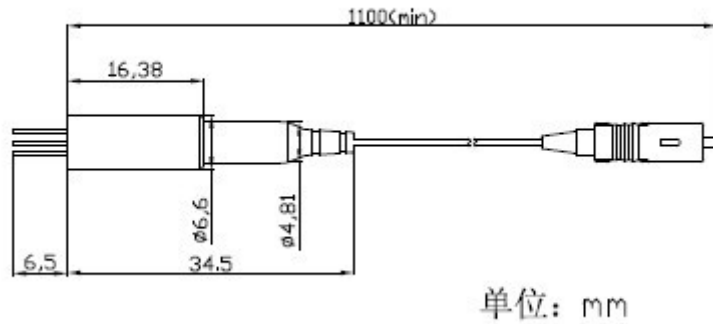
WSLP-405-015m-PM

Wavespectrum laser inc.

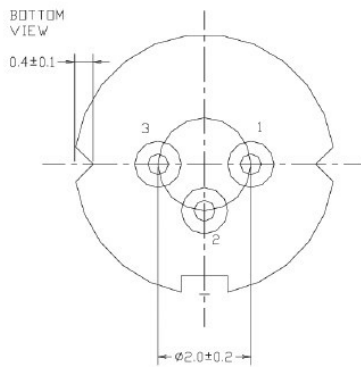
www.wavespectrum-laser.com

PARAMETER	SYMBOL	VALUE	UNIT
Reverse Voltage	$V_r$	2.0	V
Operating Temperature	$T_{op}$	0 ~ +40	°C
Storage Temperature	$T_{stg}$	-35 ~ +85	°C
Lead soldering temperature (10 sec.)	$T_{is}$	260	°C
Features:			
<ul style="list-style-type: none"> <li>● 405nm</li> <li>● PM Fiber</li> <li>● Coaxial package</li> </ul>			
Applications:			
<ul style="list-style-type: none"> <li>● Medical laser treatment</li> <li>● Printing</li> </ul>			
Specifications	<b>WSLP-405-015m-PM</b>		
	Min	Type	Max
Center Wavelength@25°C	400nm	405nm	410nm
Spectral Width (FWHM)	----	2.0nm	----
Output Power	----	>15mw	----
Fiber Type	UV Polarization Maintaining Fiber		
Fiber Core	3um		
Slope Efficiency	1.2mW/mA	1.4mW/mA	1.9mW/mA
Monitor Current	----	----	----
PD Reverse Voltage	----	----	----
Fiber Connector	FC/ST/SMA905		
Fiber Length	----	80cm	100cm
Threshold Current (Typ.)	----	35mA	50mA
Operating Current (Typ.)	----	100mA	120mA
Operating Voltage	----	4.6V	5.5V
Package Style	Coaxial		
PD(optional)	Side-face Photodiode Optional		

### Coaxial Package View



### PIN Bottom View:



1	LD(+)
2	GND
3	LD(-)

Electrically shorten LD module and store in non-extreme conditions.  
 Suggest using the constant current power supply.



Please contact us:

Website: [www.wavespectrum-laser.com](http://www.wavespectrum-laser.com)(for more detailed information)

Email: [info@wavespectrum-laser.com](mailto:info@wavespectrum-laser.com) (for inquiry about this product)

