

## 405nm 15mw SM Coaxial Pigtailed Laser Diode LD

### 405nm Fiber Coupled LD with Single Mode Fiber

WSLP-405-015m-4

Wavespectrum Laser, Inc.

www.wavespectrum-laser.com

| PARAMETER  | SYMBOL   | VALUE     | UNIT     |
|--|--|-----------|----------|
| Reverse Voltage  | $V_r$  | 2.0       | V        |
| Operating Temperature  | $T_{op}$   | 0 ~ +70   | °C       |
| Storage Temperature  | $T_{stg}$  | -35 ~ +85 | °C       |
| Lead soldering temperature (10 sec.)   | $T_{is}$   | 260       | °C       |
| <b>Features:</b><br><ul style="list-style-type: none"> <li>● 405nm</li> <li>● 4um SM Fiber</li> <li>● Coaxial package</li> </ul> |  |           |          |
| <b>Applications:</b><br><ul style="list-style-type: none"> <li>● Medical laser treatment</li> <li>● Printing</li> </ul>          |  |           |          |
| <b>Specifications</b>  | <b>WSLP-405-015m-4</b>   |           |          |
|  | Min  | Type      | Max      |
| Center Wavelength@25°C   | 400nm  | 405nm     | 410nm    |
| Spectral Width (FWHM)  | ----   | 2.0nm     | ----     |
| Output Power   | ----   | 15mw      | ----     |
| Fiber Type   | UV Single Mode Fiber   |           |          |
| Fiber Core   | 3um  |           |          |
| Slope Efficiency   | 1.2mW/mA   | 1.4mW/mA  | 1.9mW/mA |
| Monitor Current  | ----   | ----      | ----     |
| PD Reverse Voltage   | ----   | ----      | ----     |
| Fiber Connector  | FC/ST/SMA905   |           |          |
| Fiber Length   | ----   | 80cm      | 100cm    |
| Threshold Current (Typ.)   | ----   | 35mA      | 50mA     |
| Operating Current (Typ.)   | ----   | 100mA     | 130mA    |
| Operating Voltage  | ----   | 4.6V      | 5.5V     |
| Package Style  | Coaxial  |           |          |
| PD(optional)   | Side-face Photodiode Optional  |           |          |



光技術をサポートする

株式会社オプトサイエンス

<http://www.optoscience.com>

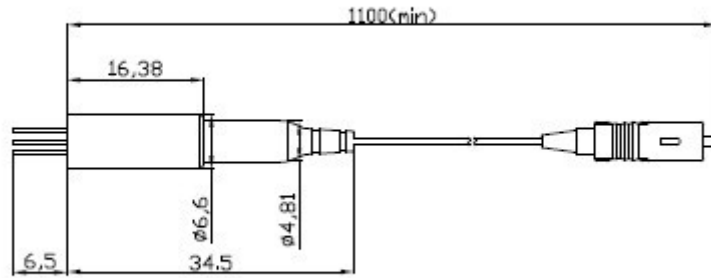
東京本社 〒160-0014 東京都新宿区内藤町1番地 内藤町ビルディング TEL:03-3356-1064

大阪支店 〒532-0011 大阪市淀川区西中島7-7-2 新大阪ビル西館 TEL:06-6305-2064

名古屋営業所 〒450-0002 名古屋市中村区名駅2-37-21 東海ソフトビル TEL:052-569-6064

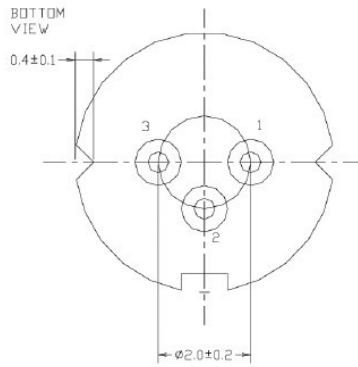
E-mail:info@optoscience.com

### Coaxial Package View



单位: mm

### PIN Bottom View:



|          |              |
|----------|--------------|
| <b>1</b> | <b>LD(+)</b> |
| <b>2</b> | <b>GND</b>   |
| <b>3</b> | <b>LD(-)</b> |

Electrically shorten LD module and store in non-extreme conditions.  
 Suggest using the constant current power supply.

Please contact us:

Website: [www.wavespectrum-laser.com](http://www.wavespectrum-laser.com)(for more detailed information)

Email: [info@wavespectrum-laser.com](mailto:info@wavespectrum-laser.com) (for inquiry about this product)

