

405nm 20mw SM Laser Diode | Single Mode LD
405nm LD|20mw Power|TO18 Package| Built-in PD
WSLD-405-020m-1-PD
Wavespectrum Laser, Inc.
www.wavespectrum-laser.com

405nm Laser Diode		20mw		Wavespectrum Laser, Inc	
PARAMETER	SYMBOL	VALUE		UNIT	
Reverse Voltage	V_r	2.0		V	
Operating Temperature	T_{op}	0 ~ +75		°C	
Storage Temperature	T_{stg}	-40 ~ +85		°C	
Lead soldering temperature (10 sec.)	T_{is}	260		°C	
Features: <ul style="list-style-type: none"> 405nm Built-in PD TO18 package Single Mode Beam 					
Applications: <ul style="list-style-type: none"> Medical Cure Printing Others 					
Specifications		WSLD-405-020m-1-PD			
		Min	Type	Max	
Center Wavelength@25°C		395nm	405nm	415nm	
Spectral Width (FWHM)		1.5nm			
Output Power		----	10mW	20mW	
Beam Mode		Single Mode			
Beam Divergence (FWHM)		$16^\circ \pm x 6^\circ //$	$19^\circ \pm x 8.5^\circ //$	$23^\circ \pm x 12^\circ //$	
Monitor Current		0.1mA	0.2mA	0.5mA	
Recommend Temperature		25 °C			

Slope Efficiency		0.7mW/mA	1.1mW/mA	----	
Threshold Current (Typ.)		----	26mA	50mA	
Operating Current (Typ.)		----	35mA	60mA	
Operating Voltage			4.8V	5.6V	
Package Style		TO18(5.6mm)			



光技術をサポートする

株式会社オプトサイエンス
<http://www.optoscience.com>

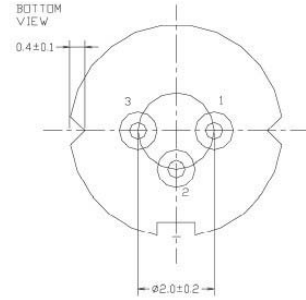
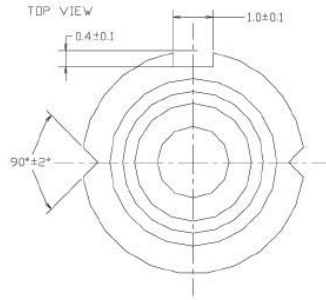
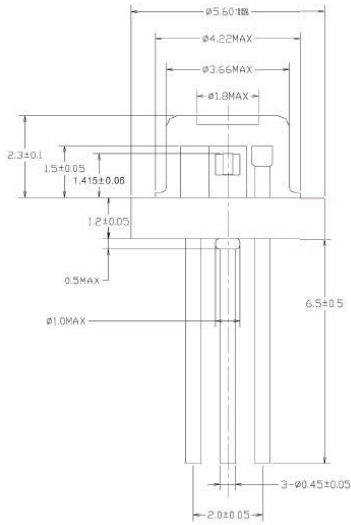
東京本社 〒160-0014 東京都新宿区内藤町1番地 内藤町ビルディング TEL:03-3356-106

大阪支店 〒532-0011 大阪市淀川区西中島7-7-2 新大阪ビル西館 TEL:06-6305-206

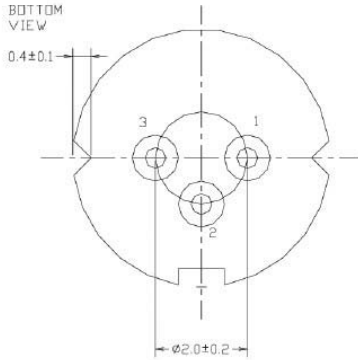
名古屋営業所 〒450-0002 名古屋市中村区名駅2-37-21 東海ソフトビル TEL:052-569-606

E-mail:info@optoscience.com

TO18(5.6mm) Package View



PIN Bottom View:



1	LD(+)
2	LD(-)&PD(-)
3	PD(+)

Electrically shorten LD module and store in non-extreme conditions.
Suggest using the constant current power supply.



ATTENTION
OBSERVE PRECAUTIONS
FOR HANDLING
ELECTROSTATIC
SENSITIVE
DEVICES

Wavespectrum Laser, Inc.
www.wavespectrum-laser.com
wavespectrumlaser@gmail.com

