



[ハイコストパフォーマンス]

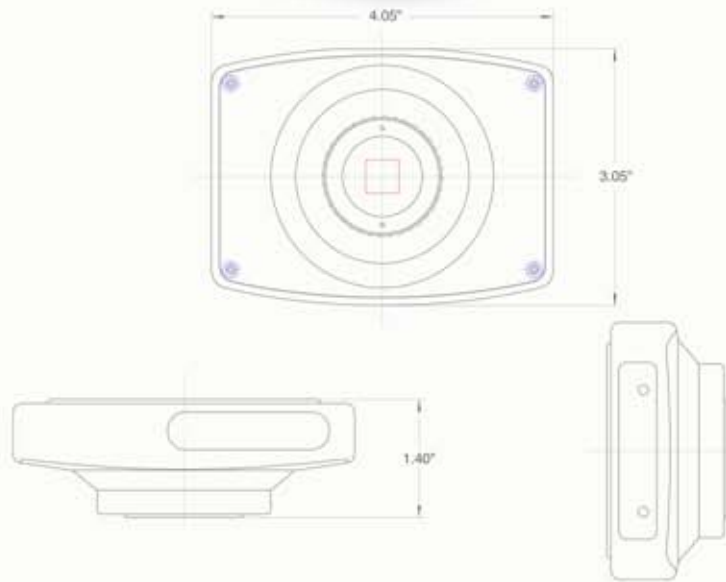
**idea**<sup>TM</sup> CMOS | 1.3 Mp

SPOT<sup>TM</sup> Idea 1.3 Mp は、クオリティを維持しつつ、最大限コストパフォーマンスを高めた顕微鏡用のCMOSカメラです。本カメラは鮮やかな色彩、メガピクセルクラスの解像度を持ち、刊行物・ドキュメンテーションの解像度アップに貢献します。

病理・臨床、材料工学、測定、教育、工業・産業等のアプリケーションに最適です。

SPOT IdeaにはSPOT Basic Software (Windows<sup>®</sup>and Mac<sup>®</sup>OS対応) が同梱されています。本ソフトにより、「リアルタイムイメージのプレビュー」、「計測」、「レポート作成 (英語のみ)」、「タイムラプス」を行うことが可能です。

USB2.0インターフェイスを搭載し、プラグアンドプレイによるデスクトップPC、ノートPCに簡単にインストールが可能です。また、トリガーオプションにより周辺機器と正確な同期が可能です。SPOT Ideaのカメラは2年間長期保証が付属し、またイメージングのスペシャリストから構成されたSPOT Imaging Solution社の経験豊かなチームのサポートをお約束します。

**Features****Benefits**

1.3Mp Images	Resolves fine image detail
Real time Live mode	Frame and focus in real time 78 fps at 640 x 480 ROI at full resolution 31 fps, full frame at full resolution
Auto and Manual exposure control	Let the software compute the exposure time and gain or set them yourself
USB 2.0	Single cable connection provides effortless installation, reduces cable clutter and enhances laptop portability (no power supply or frame grabber card needed)
SPOT Basic Imaging Software	Provides essential tools for modern microscopy
Mac <sup>®</sup> and PC	Compatible with both Mac <sup>®</sup> and Windows <sup>®</sup> computers



光技術をサポートする  
**株式会社オプトサイエンス**

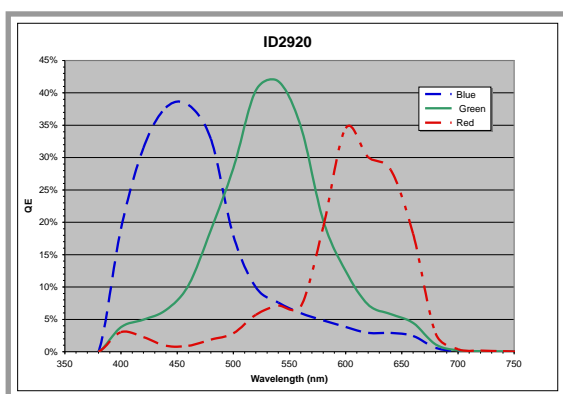
<http://www.optoscience.com>

東京本社 〒160-0014 東京都新宿区内藤町1番地 内藤町ビルディング  
TEL: 03 (3356) 1064 FAX: 03 (3356) 3466 E-mail: info@optoscience.com  
大阪支店 〒532-0011 大阪市淀川区西中島7-7-2 新大阪ビル西館  
TEL: 06 (6305) 2064 FAX: 06 (6305) 1030 E-mail: osk@optoscience.com  
名古屋営業所 〒450-0002 名古屋市中村区名駅2-37-21 東海ソフトビル  
TEL: 052 (569) 6064 FAX: 052 (569) 8064 E-mail: ngo@optoscience.com

Sensor	
Resolution	1.3Mp
Sensor Type	CMOS, color mosaic, Bayer pattern
Shutter	Rolling shutter with single frame capture
Active Pixels	1296 x 972
Pixel Size	4.4µm x 4.4µm
Optical Format	1/2.5" (4:3)
Active Imager Size	5.70mmH x 4.28mmV 7.13mm diagonal
Exposure Time	31µs – 15sec
Variable Resolution	User selectable
Region of Interest	User selectable
Read Noise	23.5 e <sup>-</sup> rms
Full Well Depth	28,500 e <sup>-</sup>
Non-linearity	<1%
Bit Depth	8, 10 or 12 bits/channel (24, 30 or 36 bit color)
Sensor Readout Frequency	72MHz (into camera frame buffer)
Analog Gain	1, 2, 4 and 8

Camera	
Lens Mount	C-mount
Computer Interface	USB 2.0
Trigger Connectors	External trigger input (TTL) Sync output (TTL)
Tripod Mount	1/4"-20, stainless steel threads
Weight	1.31 lbs (295g)
Size	4.05" W x 3.05"D x 1.40"H (103mm x 77mm x 36mm)
Power Consumption	2W from USB cable
Operating Environment	0 to 50°C, 95% relative humidity (non-condensing)
Storage Temperature	20 to 60°C
Certifications	CE, FCC Class A, EN60950 RoHS

### Quantum Efficiency



### Captured Frame Rates \* Captured Frames per Second

Region of Interest	Live Mode (frames per second)			
	1296 x 972	640 x 480	256 x 256	50 x 50
Full Res	31	78	157	192
1/2 Res	56	114	137	137
Region of Interest	Sequential Image Capture (frames per second)			
	1296 x 972	640 x 480	256 x 256	50 x 50
Full Res	17	65	159	194
1/2 Res	57	115	138	139

\* Frame rates measured with 31µs exposure time on 2GHz Intel Dual Core Xenon processor running Windows XP. Post-processing was deferred on sequential images. Frame rates may vary on other processors and operating systems.

SPOT Software	
SPOT Basic Software Features	<ul style="list-style-type: none"> <li>Color Live mode viewing window with controls</li> <li>Image capture window</li> <li>Image capture setups are user defined, named and saved</li> <li>Auto or manual exposure for Live and captured images</li> <li>Zoom control on Live and captured images</li> <li>Auto white balance</li> <li>Spot or average metering</li> <li>Correct Color Technology™ using ICC/ColorSync corrections</li> <li>Flatfield correction</li> <li>Annotation</li> <li>Calibration mark</li> <li>Measurement tools</li> <li>Image enhancement tools</li> <li>Sequential image capture and playback</li> <li>Report generator</li> <li>Interactive print dialog</li> <li>Help menu</li> <li>Drivers: Twain for Windows®, 3rd Party Interface for Mac®</li> </ul>
Computer Operating System Compatibility	Mac®: OS X Windows®: XP, Vista®, 7 (32 bit versions only)
Minimum Computer Requirements	Mac®: 400MHz Power PC, 512MB RAM, USB 2.0 port PC: 1GHz Pentium, 512MB RAM, USB 2.0 port  Mac® and PC video: 24-bit color @ 1024 x 768 resolution
SPOT Advanced Software	Available (includes macro feature, floating taskbars and image archiving database)
SPOT Advanced Software Modules (Optional)	Available (adds image display intensity scaling, peripheral device control and extended depth of focus)
Software Development Kit	Available for Mac® and Windows®
Native Drivers for 3rd Party Software	Available (call or visit our website)

Items Included	
Camera Head	With lens cap
USB2 Cable	Carries both data and power
Quick Start Installation Guide	Instructions on how to get up and running quickly
Software CD	Includes SPOTBasic software and User Guide
Warranty	2 years from date of purchase

Mac® is a registered trademark of Apple Inc.  
Windows® is a registered trademark of Microsoft.  
Specifications are typical and subject to change.



**SPOT™ Imaging Solutions**  
A division of Diagnostic Instruments, Inc.

6540 Burroughs Avenue • Sterling Heights • MI • 48314-2133  
phone: 586.731.6000 • fax: 586.731.6469 • website: www.spotimaging.com  
Data Sheet: Idea 1.3 Rev. B