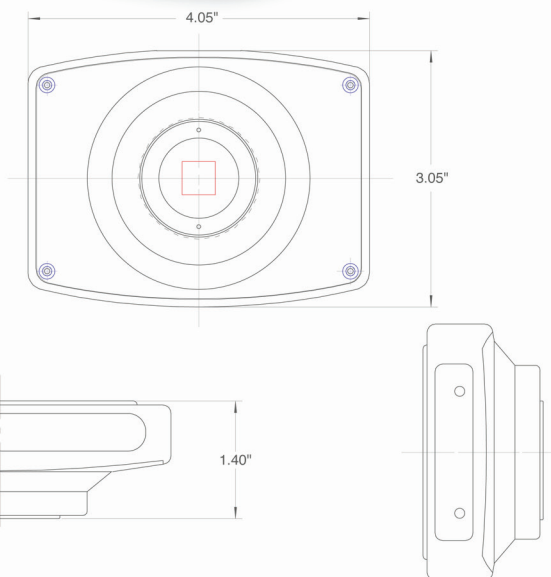


The SPOT™ Idea 1.3 Mp Color camera delivers 12-bit high quality images for the serious microscopist at a low price. The SPOT Idea produces megapixel resolution in vivid colors, enhancing publications, documentation and archiving. The SPOT Idea is an excellent choice for pathology, as well as clinical, life and material science, measurement, educational, and industrial applications.

The SPOT Idea includes SPOT Basic software (Windows® and Mac® OS) which features real time image previewing, scale bar addition, report generation, time lapse, and measuring capabilities. Its USB 2.0 interface enables “plug-and-play” installation, and trigger options provide precise synchronization with peripherals. SPOT Idea cameras come with a 2-year warranty and are supported by an experienced team of imaging specialists.



idea™ CMOS | 1.3 Mp



Features	Benefits
1.3 Mp Images	Resolves fine image detail
Real time Live mode	Frame and focus in real time 78 fps at 640 x 480 ROI at full resolution 31 fps, full frame at full resolution
Auto and Manual exposure control	Let the software compute the exposure time and gain or set them yourself
USB 2.0	Single cable connection provides effortless installation, reduces cable clutter and enhances laptop portability (no power supply or frame grabber card needed)
SPOT Basic Imaging Software	Provides essential tools for modern microscopy
Mac® and PC	Compatible with both Mac® and Windows® computers



光技術をサポートする
株式会社オプトサイエンス

<http://www.optoscience.com>

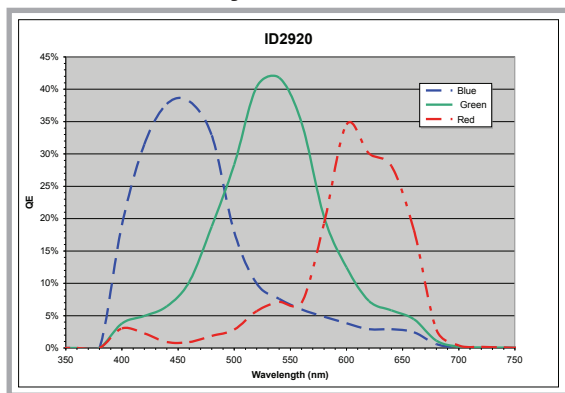
東京本社 〒160-0014 東京都新宿区内藤町1番地 内藤町ビルディング TEL:03-3356-1064
 大阪支店 〒532-0011 大阪市淀川区西中島7-7-2 新大阪ビル西館 TEL:06-6305-2064
 名古屋営業所 〒450-0002 名古屋市中村区名駅2-37-21 東海ソフトビル TEL:052-569-6064

E-mail: info@optoscience.com

Sensor	
Resolution	1.3 Mp
Sensor Type	CMOS, color mosaic, Bayer pattern
Shutter	Rolling shutter with single frame capture
Active Pixels	1296 x 972
Pixel Size	4.4µm x 4.4µm
Optical Format	1/2.5" (4:3)
Active Imager Size	5.70mm (H) x 4.28mm (V) 7.13mm diagonal
Exposure Time	31µs – 15sec
Variable Resolution	User selectable
Region of Interest	User selectable
Read Noise	23.5 e ⁻ rms
Full Well Depth	>28,500 e ⁻
Non-linearity	<1%
Bit Depth	8, 10 or 12 bits/channel (24, 30 or 36 bit color)
Sensor Readout Frequency	72MHz (into camera frame buffer)
Analog Gain	1, 2, 4 and 8

Camera	
Lens Mount	C-mount
Computer Interface	USB 2.0
Trigger Connectors	Sync output (TTL) External trigger input (TTL)
Tripod Mount	1/4"-20, stainless steel threads
Weight	1.31 lbs (295g)
Size	4.05" W x 3.05" D x 1.40" H (103mm x 77mm x 36mm)
Power Consumption	2W from USB cable
Operating Environment	0 to 50°C, 95% relative humidity (non-condensing)
Storage Temperature	-20 to 60°C
Certifications	CE, FCC Class A, EN60950 RoHS

Quantum Efficiency



Captured Frame Rates Captured Frames per Second *

	Live Mode (frames per second)			
Region of Interest	1296 x 972	640 x 480	256 x 256	50 x 50
Full Res	31	78	157	192
1/2 Res	56	114	137	137
	Sequential Image Capture (frames per second)			
Full Res	17	65	159	194
1/2 Res	57	115	138	139

* Frame rates measured with 31µs exposure time on 2GHz Intel Dual Core Xenon processor running Windows XP. Post-processing was deferred on sequential images. Frame rates may vary on other processors and operating systems.

SPOT Software	
SPOT Basic Software Features	Color Live mode viewing window with controls Image capture window Image capture setups are user defined, named and saved Auto or manual exposure for Live and captured images Zoom control on Live and captured images Auto white balance Spot or average metering Correct Color Technology™ using ICC/ColorSync corrections Flatfield correction Annotation Calibration mark Measurement tools Image enhancement tools Sequential image capture and playback Report generator Interactive print dialog Help menu 3rd Party Software Interface: Twain for Windows®, SPOT Image Capture Application & AppleEvent for Mac®
Computer Operating System Compatibility	Windows®: XP SP3 (32-bit), Vista (32 or 64-bit), 7 (32 or 64-bit) and 8 (32 or 64-bit) Mac®: OS 10.6 - 10.8
Minimum Computer Requirements	PC: 1GHz Pentium 4 (or equivalent x86 SSE2 processor), 1 GB RAM, USB 2.0 port Mac®: Intel processor, 1 GB RAM, USB 2.0 port Mac® and PC video: 24-bit color @ 1024 x 768 resolution
SPOT Advanced Software	Available (includes macro feature, floating taskbars and image archiving database)
SPOT Advanced Software Modules (Optional)	Available (adds image display intensity scaling, peripheral device control and extended depth of focus)
Software Development Kit	Available for Mac® and Windows®
Native Drivers for 3rd Party Software	Available (call or visit our website)
Items Included	
Camera Head	With lens cap
USB2 Cable	Carries both data and power
Quick Start Installation Guide	Instructions on how to get up and running quickly
Software CD	Includes SPOT Basic software and User Guide
Warranty	2 years from date of purchase
Catalog Number	Idea 1.3 Mp ID2920

Specifications are typical and subject to change.



SPOT™ Imaging Solutions
A division of Diagnostic Instruments, Inc.

6540 Burroughs Avenue • Sterling Heights • MI • 48314-2133
phone: 586.731.6000 • fax: 586.731.6469 • website: www.spotimaging.com
Data Sheet: Idea 1.3 CMOS