



[ハイコストパフォーマンス]

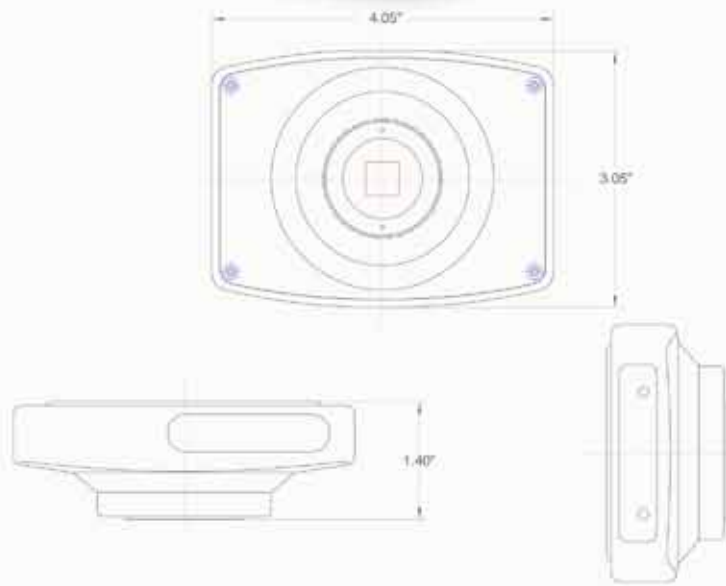
ideaTM CMOS | 5.0 Mp

SPOTTM Idea 5.0 Mp は、クオリティを維持しつつ、最大限コストパフォーマンスを高めた顕微鏡用のCMOSカメラです。本カメラは鮮やかな色彩、メガピクセルクラスの解像度を持ち、刊行物・ドキュメンテーションの解像度アップに貢献します。

病理・臨床、材料工学、測定、教育、工業・産業等のアプリケーションに最適です。

SPOT IdeaにはSPOT Basic Software (Windows[®]and Mac[®]OS対応) が同梱されています。本ソフトにより、「リアルタイムイメージのプレビュー」、「計測」、「レポート作成 (英語のみ)」、「タイムラプス」を行うことが可能です。

USB2.0インターフェイスを搭載し、プラグアンドプレイによるデスクトップPC、ノートPCに簡単にインストールが可能です。また、トリガーオプションにより周辺機器と正確な同期が可能です。SPOT Ideaのカメラは2年間長期保証が付属し、またイメージングのスペシャリストから構成されたSPOT Imaging Solution社の経験豊かなチームのサポートをお約束します。

**Features****Benefits**

5.0Mp Images	Resolves fine image detail
Real time Live mode	Frame and focus in real time 76 fps at 640 x 480 ROI at full resolution 28 fps, full frame at 1/2 resolution 7 fps, full frame at full resolution
Auto and Manual exposure control	Let the software compute the exposure time and gain or set them yourself
USB 2.0	Single cable connection provides effortless installation, reduces cable clutter and enhances laptop portability (no power supply or frame grabber card needed)
SPOT Basic Imaging Software	Provides essential tools for modern microscopy
Mac [®] and PC	Compatible with both Mac [®] and Windows [®] computers



光技術をサポートする
株式会社オプトサイエンス

<http://www.optoscience.com>

東京本社 〒160-0014 東京都新宿区内藤町1番地 内藤町ビルディング
TEL: 03 (3356) 1064 FAX: 03 (3356) 3466 E-mail: info@optoscience.com
大阪支店 〒532-0011 大阪市淀川区西中島7-7-2 新大阪ビル西館
TEL: 06 (6305) 2064 FAX: 06 (6305) 1030 E-mail: osk@optoscience.com
名古屋営業所 〒450-0002 名古屋市中村区名駅2-37-21 東海ソフトビル
TEL: 052 (569) 6064 FAX: 052 (569) 8064 E-mail: ngo@optoscience.com

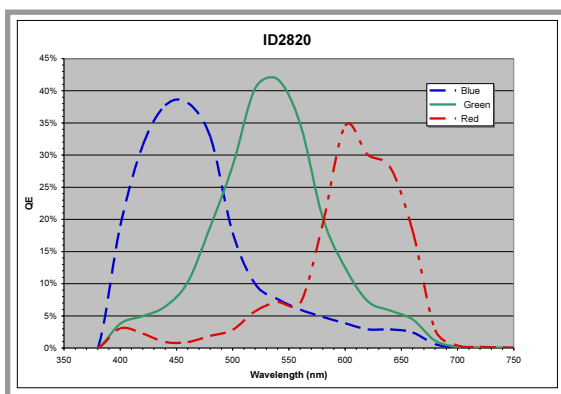
Sensor

Resolution	5.0Mp
Sensor Type	CMOS, color mosaic, Bayer pattern
Shutter	Rolling shutter with single frame capture
Active Pixels	2592 x 1944
Pixel Size	2.2µm x 2.2µm
Optical Format	1/2.5" (4:3)
Active Imager Size	5.70mmH x 4.28mmV 7.13mm diagonal
Exposure Time	44µs – 15sec
Variable Resolution	User selectable
Region of Interest	User selectable
Read Noise	6.5 e ⁻ rms
Full Well Depth	7,600 e ⁻
Non-linearity	<1%
Bit Depth	8, 10 or 12 bits/channel (24, 30 or 36 bit color)
Sensor Readout Frequency	72MHz (into camera frame buffer)
Analog Gain	1, 2, 4 and 8

Camera

Lens Mount	C-mount
Computer Interface	USB 2.0
Trigger Connectors	External trigger input (TTL) Sync output (TTL)
Tripod Mount	1/4"-20, stainless steel threads
Weight	1.31 lbs (295g)
Size	4.05" W x 3.05"D x 1.40"H (103mm x 77mm x 36mm)
Power Consumption	2W from USB cable
Operating Environment	0 to 50°C, 95% relative humidity (non-condensing)
Storage Temperature	-20 to 60°C
Certifications	CE, FCC Class A, EN60950 RoHS

Quantum Efficiency



Captured Frame Rates Captured Frames per Second *

Region of Interest	Live Mode (frames per second)				
	2592x1944	1296x972	640x480	256x256	50x50
Full Res	7	28	76	149	180
1/2 Res	28	78	157	190	191
1/4 Res	56	112	137	137	138
Region of Interest	Sequential Image Capture (frames per second)				
	2592x1944	1296x972	640x480	256x256	50x50
Full Res	4	16	63	151	180
1/2 Res	16	62	159	191	194
1/4 Res	56	113	137	138	138

* Frame rates measured with 44µs exposure time on 2GHz Intel Dual Core Xenon processor running Windows XP. Post-processing was deferred on sequential images. Frame rates may vary on other processors and operating systems.

SPOT Software

SPOT Basic Software Features	<ul style="list-style-type: none"> Color Live mode viewing window with controls Image capture window Image capture setups are user defined, named and saved Auto or manual exposure for Live and captured images Zoom control on Live and captured images Auto white balance Spot or average metering Correct Color Technology™ using ICC/ColorSync corrections Flatfield correction Annotation Calibration mark Measurement tools Image enhancement tools Sequential image capture and playback Report generator Interactive print dialog Help menu Drivers: Twain for Windows®, 3rd Party Interface for Mac®
Computer Operating System Compatibility	Mac®: OS X Windows®: XP, Vista®, 7 (32 bit versions only)
Minimum Computer Requirements	Mac®: 400MHz Power PC, 512MB RAM, USB 2.0 port PC: 1GHz Pentium, 512MB RAM, USB 2.0 port Mac® and PC video: 24-bit color @ 1024 x 768 resolution
SPOT Advanced Software	Available (includes macro feature, floating taskbars and image archiving database)
SPOT Advanced Software Modules (Optional)	Available (adds image display intensity scaling, peripheral device control and extended depth of focus)
Software Development Kit	Available for Mac® and Windows®
Native Drivers for 3rd Party Software	Available (call or visit our website)

Items Included

Camera Head	With lens cap
USB2 Cable	Carries both data and power
Quick Start Installation Guide	Instructions on how to get up and running quickly
Software CD	Includes SPOT Basic software and User Guide
Warranty	2 years from date of purchase

Catalog Number

Idea 5.0 Mp | ID2820

Mac® is a registered trademarks of Apple Inc.
Windows® is a registered trademark of Microsoft.
Specifications are typical and subject to change.



SPOT™ Imaging Solutions
A division of Diagnostic Instruments, Inc.

6540 Burroughs Avenue • Sterling Heights • MI • 48314-2133
phone: 586.731.6000 • fax: 586.731.6469 • website: www.spotimaging.com
Data Sheet: Idea 5.0 Rev. B