



# ozOptics

shop.ozoptics.com  
www.ozoptics.com

219 Westbrook Road  
Ottawa, ON, Canada, K0A 1L0

Toll free: 1-800-361-5415  
Telephone: 1-613-831-0981  
Fax: 1-613-836-5089  
sales@ozoptics.com

## HIGH SPEED ELECTRO-OPTIC POLARIZATION CONTROLLER-SCRAMBLER

**PRELIMINARY**

### Features:

- Rapid response time ( $< 10 \mu\text{s}$ )
- Linear response
- Solid state crystals
- Low loss
- Flexible configuration
- Compact in size
- Wide operating wavelength
- Long operating lifetime

### Applications:

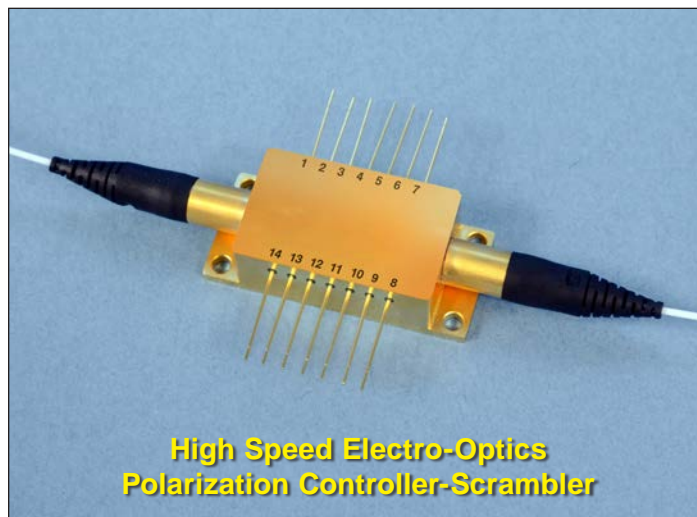
- Polarization scrambling
- Polarization stabilization and management
- Polarization Mode Dispersion (PMD) mitigation
- Polarization Dependent Loss (PDL) mitigation
- Polarization Dependent Gain (PDG) mitigation
- PDL, DOP, and PMD measurement systems
- Interferometers and sensors
- Fiber lasers
- Polarization demultiplexing
- Test instrumentation
- OCT systems

### Product Description:

OZ Optics' High Speed Electro-Optic Polarization Controller (EOPC) is based on a novel, low-loss high speed free space Electro-Optic crystal technology. It provides a simple, efficient means to quickly manipulate the state of polarization by applying an external voltage. High-Speed polarization state management is enabled using two to four crystals in a row with remarkably low loss, all housed in a compact and robust butterfly package. The device can be offered with 2, 3 or 4 crystals (depending on the customer requirement), and by applying external voltages one can change/manipulate/control the output polarization state. For endless polarization control, a device with 4 crystal elements is required while a 3 elements device will be sufficient for polarization scrambling mode operation. The compact, motionless and vibration free design allows fast linear response with less than  $10 \mu\text{s}$  response time to the control signal. The controller's rapid response speed easily handles changes in polarization, caused by the external environment, and is highly suitable for polarization controlling and scrambling to either average PDL and PDG effects, or for making PMD, PDL or DOP measurements. This makes it ideal for precise test and measurement applications.

OZ Optics' offers as well a 4-channel driver, The "EOPC-1000-DRIVER-04" is a bench-top entry level module capable of controlling up to four channels Electro-Optic crystal based. The driver module converts the 0.0 to 4.0 Volts input analog control voltage signals to an amplified high-voltage output levels applied to the retardation plates of the (EOPC) crystals.

The "EOPC-1000-DRIVER-04" bench-top module includes the high voltage power supply circuit and the 4-channels high voltage high speed power amplifiers. The Electro-Optic Polarization Controller (EOPC) crystal is inserted on the lockable ZIF socket on top of the module. The simplified block diagram of the "EOPC-1000-DRIVER-04" is shown in the figure below.



**Specifications:** (tested at 23°C, controlled temperature)

Parameters	Values		
<b>Optical Performances</b>			
Operating Wavelength <sup>1</sup>	1064 nm, 1550 nm, 2000 nm		
	4 stages	3 stages	2 stages
Insertion Loss (IL) <sup>2</sup>	< 1.2 dB	< 1.1 dB	< 1.0 dB
Polarization Dependence Loss (PDL) <sup>2</sup>	< 0.20 dB	< 0.20 dB	< 0.15 dB
Polarization Mode Dispersion (PMD) <sup>2</sup>	< 0.5 ps		
Activation Loss <sup>2</sup>	< 0.05 dB Per Channel		
Return Loss <sup>2</sup>	> 50 dB		
Optical Power Handling <sup>3</sup>	500 mW		
<b>Electrical Performances</b>			
Response Time (Rise/Fall Time) <sup>4</sup>	< 10 $\mu$ s		
$V_{\pi}$ (@room temperature) <sup>5</sup>	$V_{\pi} < 40$ V for 1064 nm, $V_{\pi} < 60$ V for 1550 nm		
Modulation Rate (Sinusoid) <sup>6</sup>	DC ~ 130 kHz		
<b>Physical/Environmental Performances</b>			
Operating Temperature	0 ~ 80°C		
Storage Temperature	-40 ~ 80°C		
Dimension (L x W x H)	70 mm x 41 mm x 9.5 mm		

Notes

1 Other wavelengths are available and tested with narrow-line width laser diode (DFB)

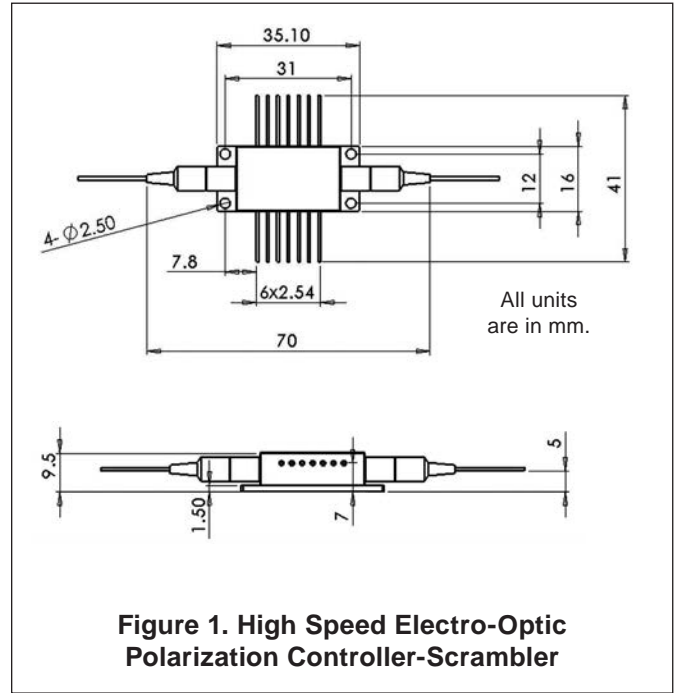
2 Measured at 1550nm

3 Higher power version is available.

4 Limited by the driver design.

5 Value depends on modulation frequency.

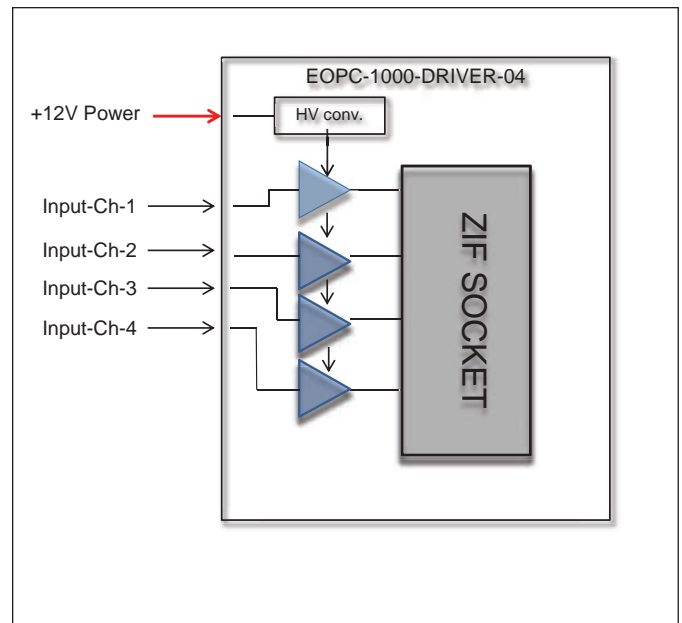
6 OZ Optics can provide a driver.



**Figure 1. High Speed Electro-Optic Polarization Controller-Scrambler**

**Specifications: For EOPC-1000-DRIVER-04**

Parameters	Symbol	Min	Typ	Max	Units
Power Supply Input Voltage	$V_{in}$	11	12	13	Volts
Power Supply Input Current At $V_{in} = 12$ Volts	$I_{supply}$	0.56		3.0	Amp.
Input control voltage:					
Input-Ch-1	CH-1	0		4.0	Volts
Input-Ch-2	CH-2	0		4.0	
Input-Ch-3	CH-3	0		4.0	
Input-Ch-4	CH-4	0		4.0	
Output Voltage:					
Out-V1	V1	0		170	Volts
Out-V2	V2	0		170	
Out-V3	V3	0		170	
Out-V4	V4	0		170	
Output Repetition Rate (Full scale) Load capacitance < 1nF		DC		100	KHz
Gain		80			
Rise/Fall time From 0 to 150 Volts		2.5	3	3.5	us
Operating temperature	$T_{(amb.)}$	0	25	40	Deg.C
Storage temperature	$T_{(sto.)}$	-40		80	Deg.C
Dimension (LxWxH)		200 x 135 x 39			mm
Weight		768			grams



## Description: Electro-Optic Polarization Controller

Part Number: **EOPC-A-11-W-a/b-I-O-XY-JD-L-T**

**A** = 200 for 2 electro-optic elements  
300 for 3 electro-optic elements  
400 for 4 electro-optic elements

**W** = Wavelength (specify in nanometers)  
Example: 1300/1550 for standard telecom wavelength range. 1060 for 1064 band.

**a/b** = Fiber core/cladding sizes, in microns 9/125 for 9/125  $\mu\text{m}$  singlemode fiber. 6/125  $\mu\text{m}$  for 1064  $\mu\text{m}$  operating. See *Standard Tables* for other standard fiber sizes.

**I** = Input Fiber:  
S = Singlemode  
P = Polarization maintaining

**O** = Output Fiber:  
S = Singlemode  
P = Polarization maintaining

See the *Standard Tables* data sheet for other standard fiber sizes and connectors.  
[https://www.ozoptics.com/ALLNEW\\_PDF/DTS0079.pdf](https://www.ozoptics.com/ALLNEW_PDF/DTS0079.pdf)

**T** = T for Built-in TEC  
Blank for No Built-in TEC

**L** = Fiber Length in meters, on each side of the device. If they are different lengths, specify the input and output lengths separated by a comma. Example: To order 1 meter of the fiber at the input and 2 meters at the output, replace L with 1,2.

**JD** = Fiber jacket type:  
1 = 900 micron OD hytrel jacket

**XY** = Connector code:  
X = No Connector  
3S = Super NTT-FC/PC  
3U = Ultra NTT-FC/PC  
3A = Angled NTT-FC/PC  
8 = AT&T-ST  
SC = SC  
SCU = Ultra SC  
SCA = Angled SC  
LC = LC/PC  
See *Standard Tables* for other connectors.

### Questionnaire For Custom Parts:

1. Are you performing polarization scrambling or polarization controlling?
2. What is your operating wavelength?
3. What type and size of fiber do you want?
4. What type of connectors do you need?
5. How long should the fibers be?
6. What is the fiber jacket OD?
7. Do you need an external driver?