



## **BeamWatch Rotation Mount**

**P/N SP90346**

### **User Notes**

Ophir-Spiricon LLC  
3050 North 300 West  
North Logan, UT 84341  
[www.ophiropt.com](http://www.ophiropt.com)

For Sales, Service or Technical Support  
Phone (435) 753-3729  
Fax (435) 753-5231  
E-mail: [sales@us.ophiropt.com](mailto:sales@us.ophiropt.com)  
E-mail: [service@us.ophiropt.com](mailto:service@us.ophiropt.com)

© Copyright 2014, Ophir-Spiricon LLC, North Logan, UT

### **Notice**

© 2014 Ophir-Spiricon LLC All Rights Reserved. Ophir-Spiricon LLC reserves the right to make improvements in the product described in this User Guide at any time and without notice.

All rights to the product and any accompanying operator's manuals are reserved. While every precaution has been taken in the preparation of this product, the publisher and author assume no responsibility for errors, omissions, or any loss of data because of said errors or omissions.

# BeamWatch Rotation Mount

## P/N SP90346

### User Notes

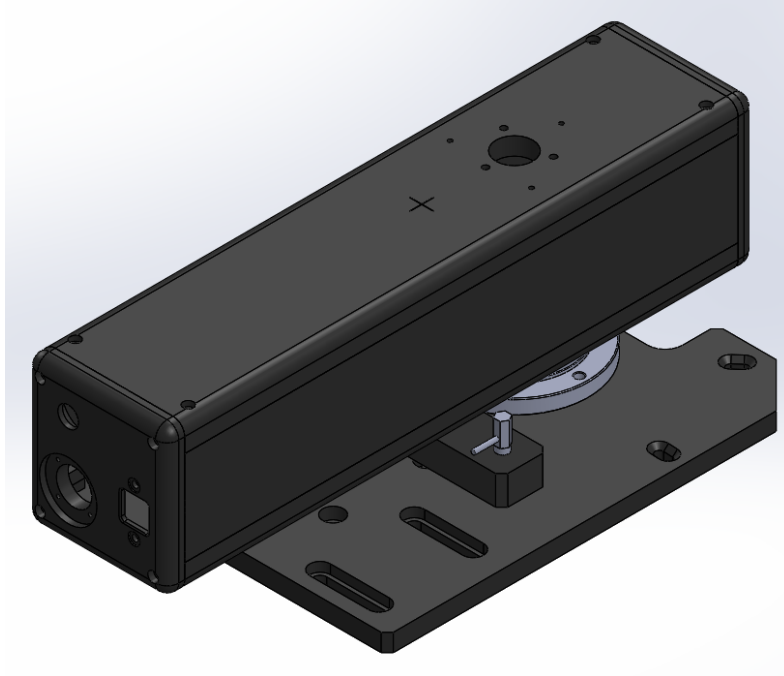


Figure 1: BeamWatch system mounted on the rotation mount

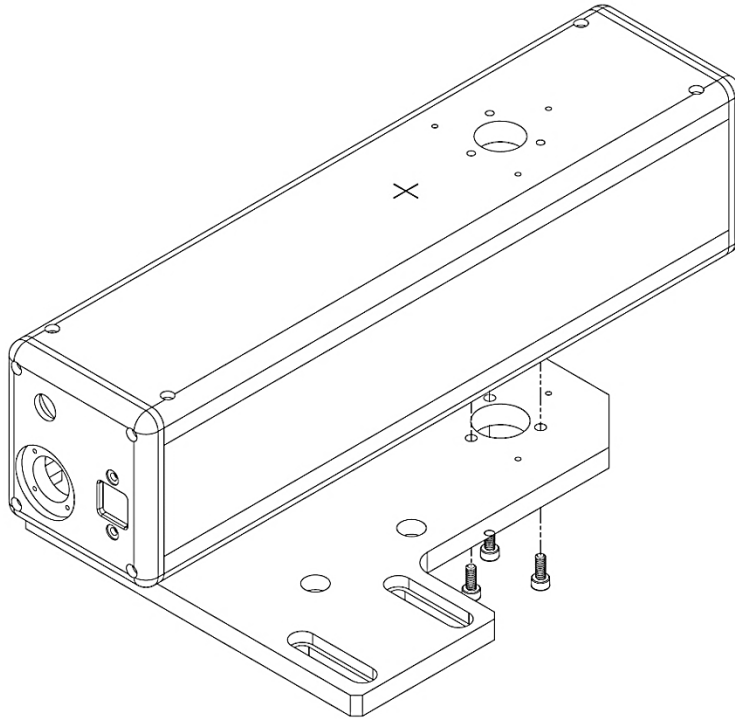
The BeamWatch rotation mount is offered as an accessory for the BeamWatch. When mounted, it allows the camera to rotate 180° and lock into position every 45°. The rotation mount does not interfere with the beam apertures, but when the BeamWatch is rotated, it is critical that the beam passes through the center of the aperture. If the beam is offset in any direction, it could produce inaccurate results when the system is rotated.

An indexing plunger is mounted to the side of the BeamWatch and drops into the slots on the mounting plate. The plunger can also be locked in a retracted position to allow the BeamWatch to rotate a full 360°.

***Note:** If the BeamWatch is mounted vertically, the system will not stay in a rotated position unless the indexing plunger is placed in one of the slots.*

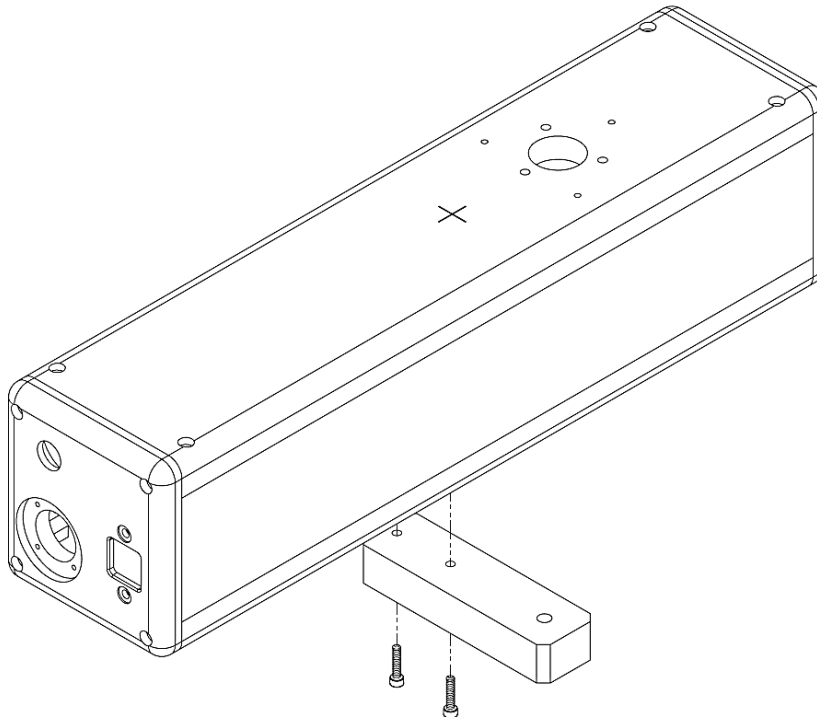
To attach the rotation mount, follow the steps described below.

1. Remove the three (3) screws and the fixed base from the BeamWatch.



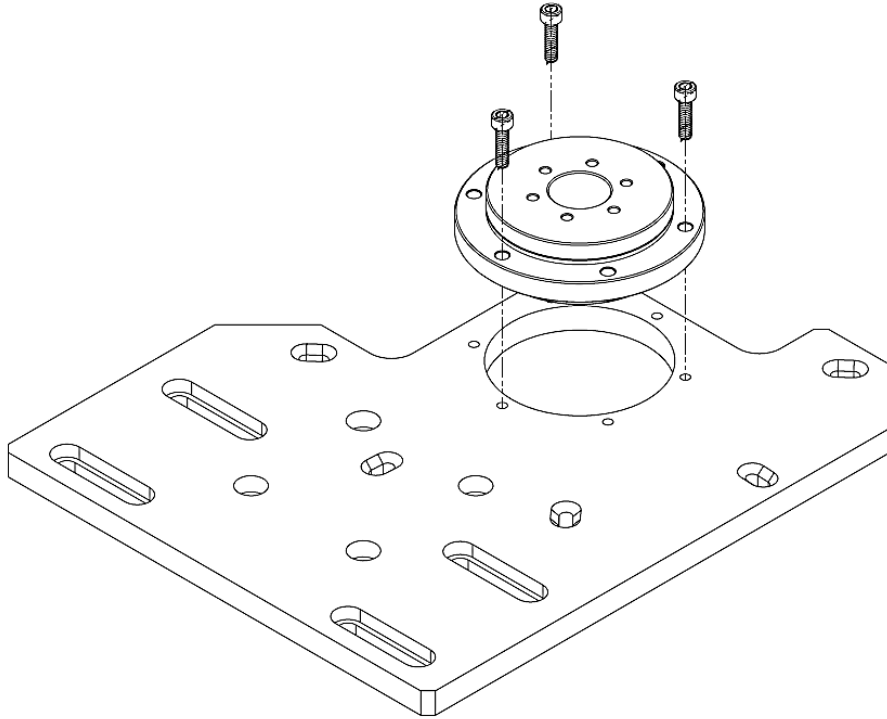
**Figure 2: Remove fixed mount**

2. Attach the plunger mount using the two (2) 4-40 screws provided. Orient as shown in Figure 3.



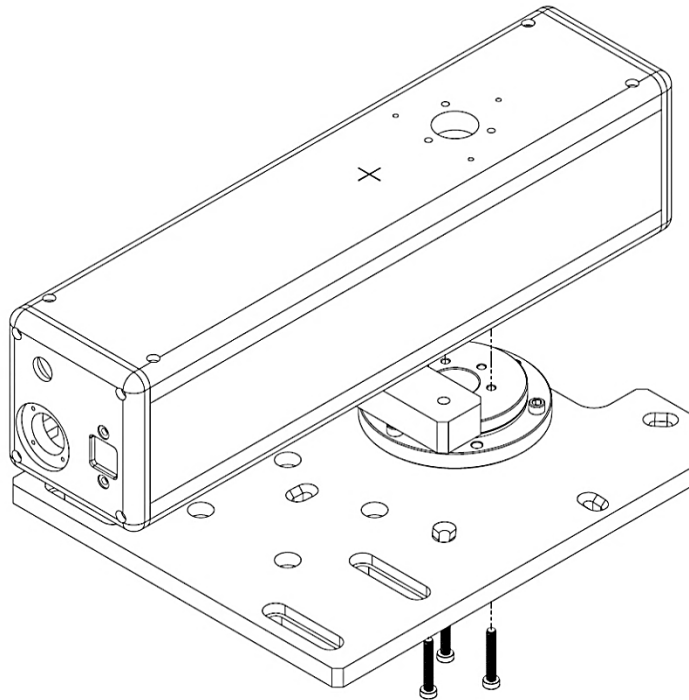
**Figure 3: Attach plunger mount**

3. Attach the bearing to the base plate using the three (3) 8-32 screws provided. Orient the bearing as shown in Figure 4.



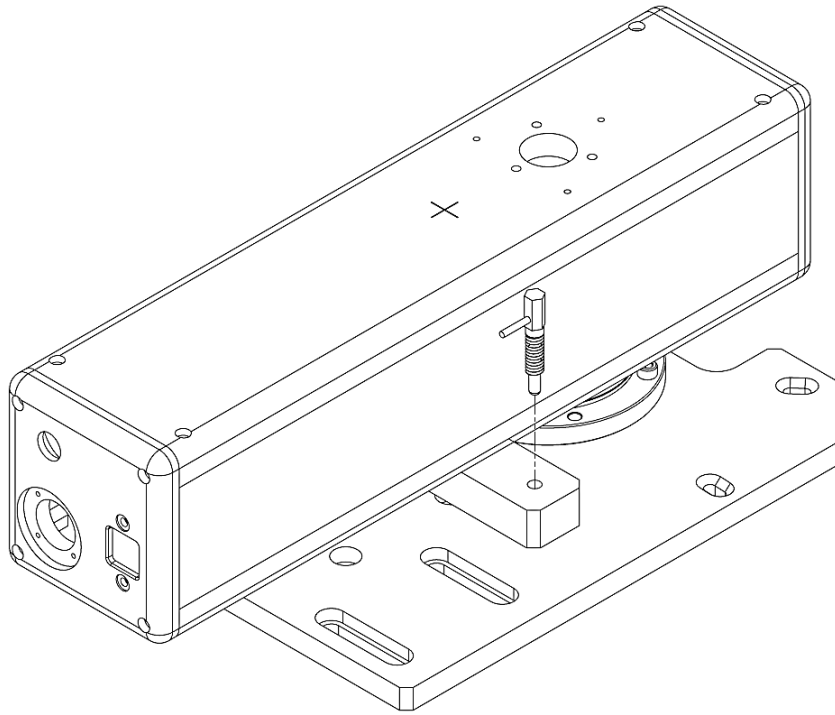
**Figure 4: Attach bearing to base plate**

4. Attach the bearing and base plate to the bottom of the BeamWatch using the three (3) M4 screws provided.



**Figure 5: Attach bearing and base plate to BeamWatch**

5. Screw in the spring-loaded plunger to the plunger mount. Ensure only the nose extends past the bottom face of the mount.



**Figure 6: Attach plunger to plunger mount**

