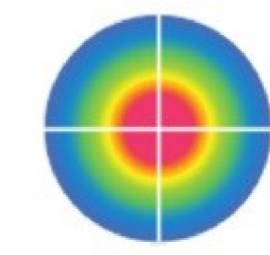
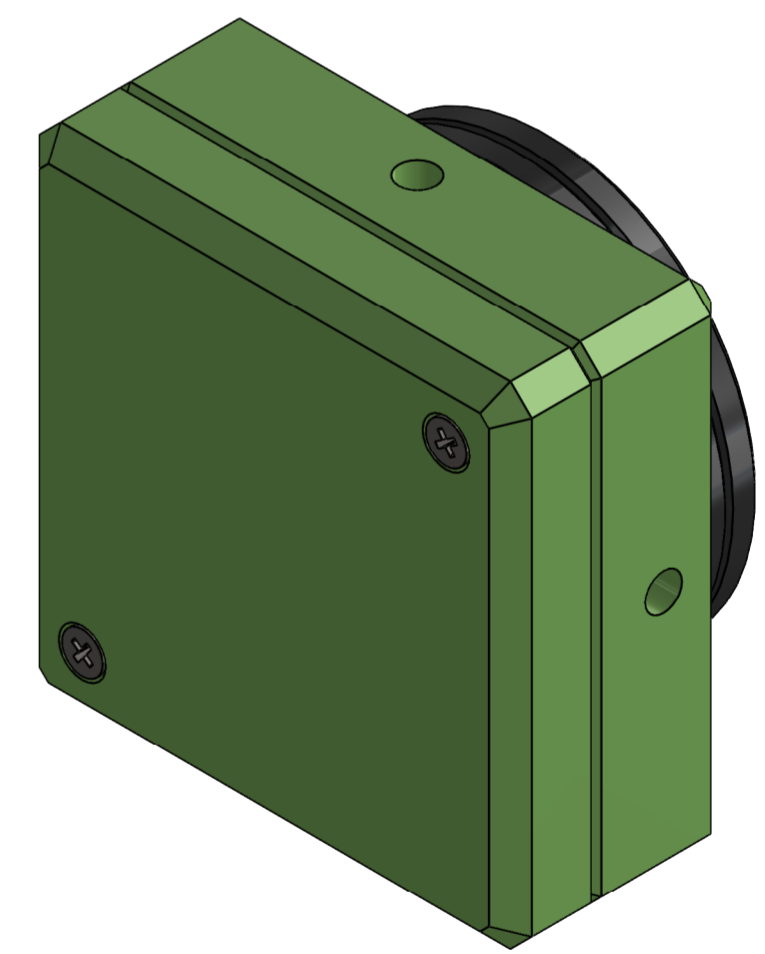
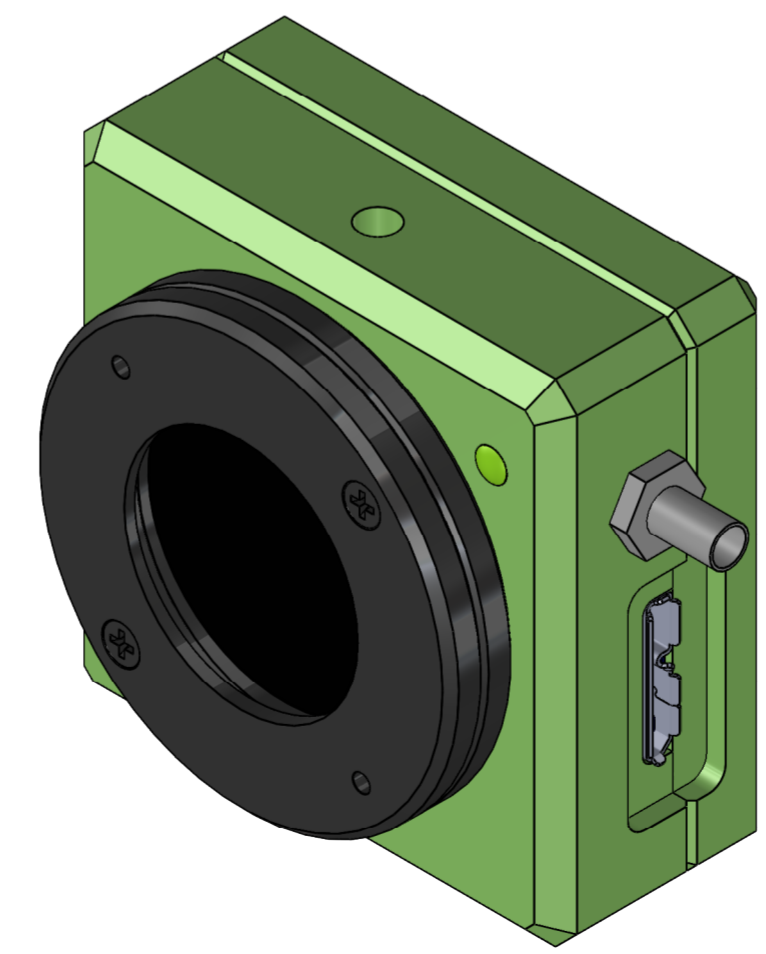
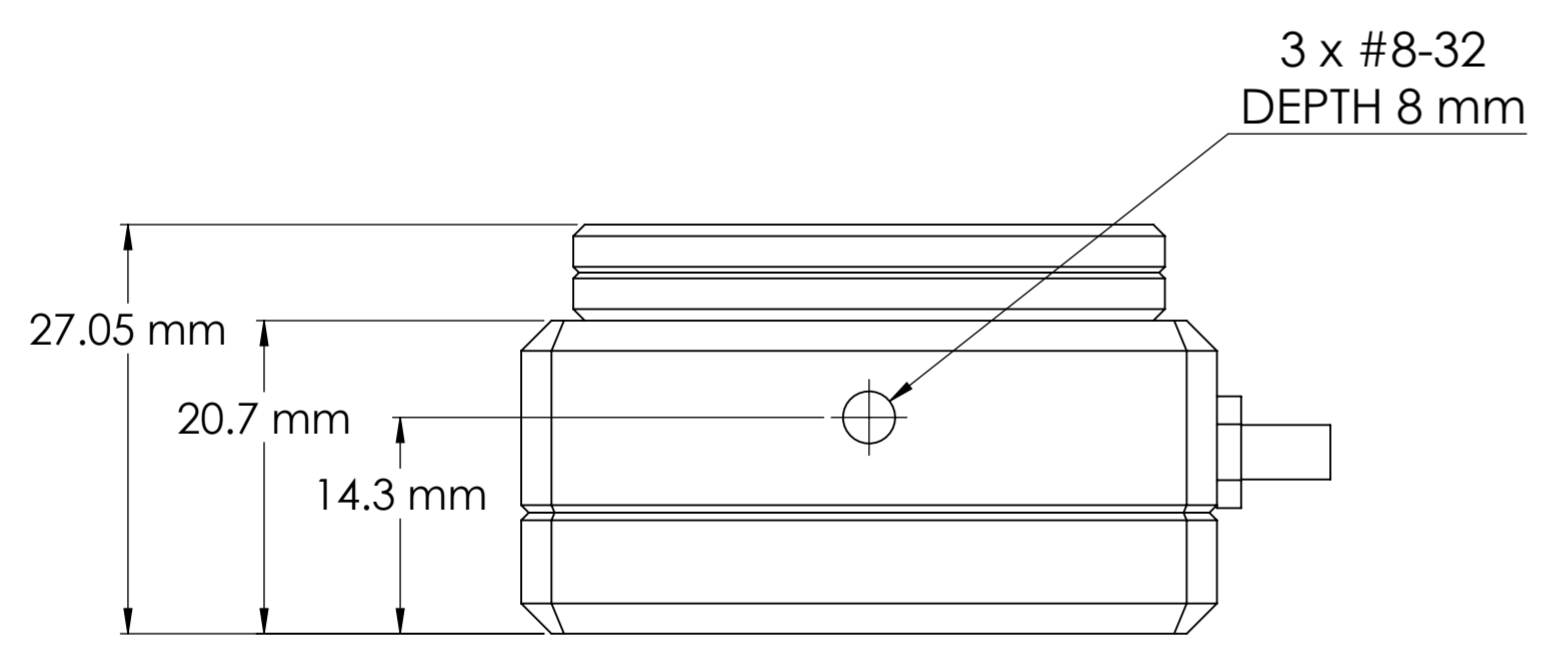


ACTIVE SENSOR AREA  
11.3 mm x 11.3 mm  
(1" OPTICAL FORMAT)

1"-32 C-MOUNT  
OR MAGNETIC MOUNT



**DataRay Inc.**  
Advancing the Technology of Laser Beam Analysis

[www.dataray.com](http://www.dataray.com)

THIRD ANGLE PROJECTION		NAME	DATE	DWG TITLE:	
		DRAWN	MGD	01/20/14	WinCamD-THz
		APPROVAL	RVD	01/24/14	A2
COPYRIGHT © 2013 BY DATARAY INC.			REV: 3	SCALE:2:1	SHEET 1 OF 1