

6 5 4 3 2 1

D D

C C

B B

A A

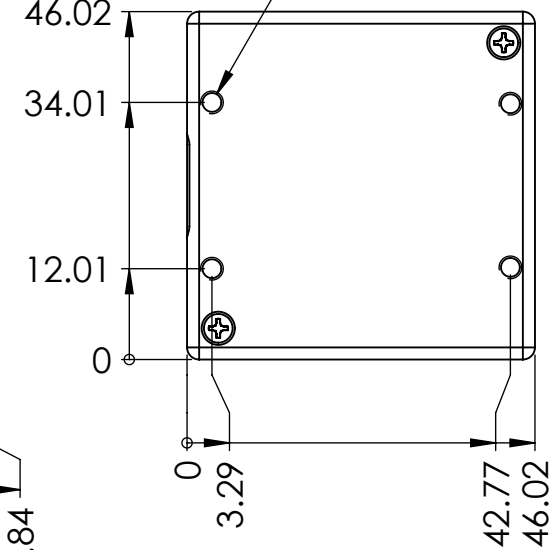
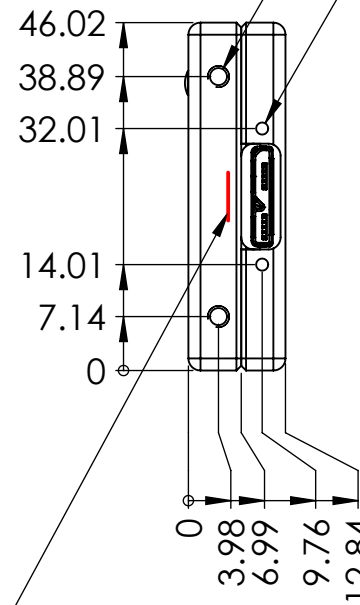
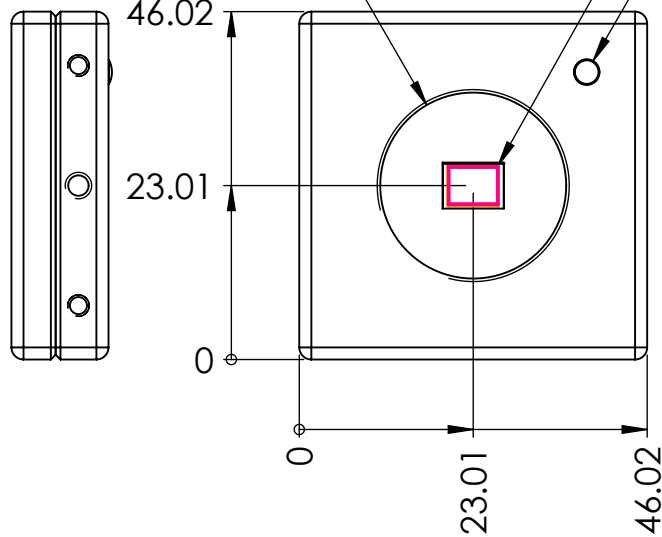
ACTIVE SENSOR AREA  
**BladeCam-HR** 6.6 mm X 5.3 mm  
**BladeCam-XHR** 6.5 mm X 4.9 mm

1-32 C-Mount DEPTH 3.00

LED

8 x 4-40 UNC DEPTH 4.00  
 USB 3.0 Machine Vision  
 Cable Support

4 x M3x0.5 DEPTH 2.18



3 x 6-32 UNC DEPTH 7.00

SENSOR PLANE  
 5.25 mm ±0.2  
 (from sensor to case face)

COMMENTS:



DRAWN			TITLE:		
NAME	DATE		BladeCam2 UHR/XHR		
SM	20210219		SIZE	DWG. NO.	REV
CHECKED	RD	20210219	A	BladeCam2 USB3	1
ENG APPR.			SCALE: 1:1	WEIGHT:	SHEET 1 OF 1
MFG APPR.					
Q.A.					

6 5 4 3 2 1