



A WORLD LEADER IN FUME EXTRACTION TECHNOLOGY

AD 4000 iQ

LASER

Last Updated on 07.03.2019



The AD 4000 iQ delivers superior and measurable performance, ensuring airflow and filtration is maintained even when particulates start to build up from the triple DeepPleat DUO and combined filter setup.

This makes it suitable for the most demanding and complex installations, so you can rely on extended filter life, together with effective removal of fumes and particulates.

It's user friendly too, with a design that makes easy work of filter changes and the easy to read and access controls display panel is conveniently located on top of the unit.

The AD 4000 iQ design permits greater flexibility. Different exhaust configurations allow recirculation via the rear panel or externally vented hose connection systems.

More information about the [Intelligent \(iQ\) Operating System](#).

Technology



Intelligent (iQ) Operating System



DeepPleat DUO



HEPA filter



Automatic flow control technology



Reverse flow air technology



Advanced carbon filter technology



Patented technology



ProTECT service plan



SureCHECK quality standard

Key features of the AD 4000 iQ

iQ Operating system Standard

3 x DeepPleat DUO pre filters Standard

Contact BOFA at <https://bofainternational.com/en/contact/>

<https://bofainternational.com/en/portal/datasheets/ad-4000-iq/>



Reverse flow air filter technology

Standard

Blowers with high airflow and vacuum levels

Standard

Real time airflow reading

Standard

Remote diagnostics via USB

Standard

Long life filters with low replacement cost

Standard

Remote stop / start interface

Optional

VOC gas sensor (Volatile Organic Compound)

Optional

On-board compressor

Optional

Combined HEPA/Gas filter incorporating ACF technology

Standard

High contrast display

Standard

Filter status warnings

Standard

Independent filter condition monitoring

Standard

'Run safe' operation (filters must be installed correctly for the unit to operate)

Standard

Filter change / System fail signal

Optional

Interfacing with host laser

Optional

Technical specification

1 iQ Display

2 Standby button

3 Signal / interface cable

4 Power cable inlet

5 Adjustable locking castors

6 Door hinges

7 Exhaust outlet

8 Hose inlet connection - 200mm

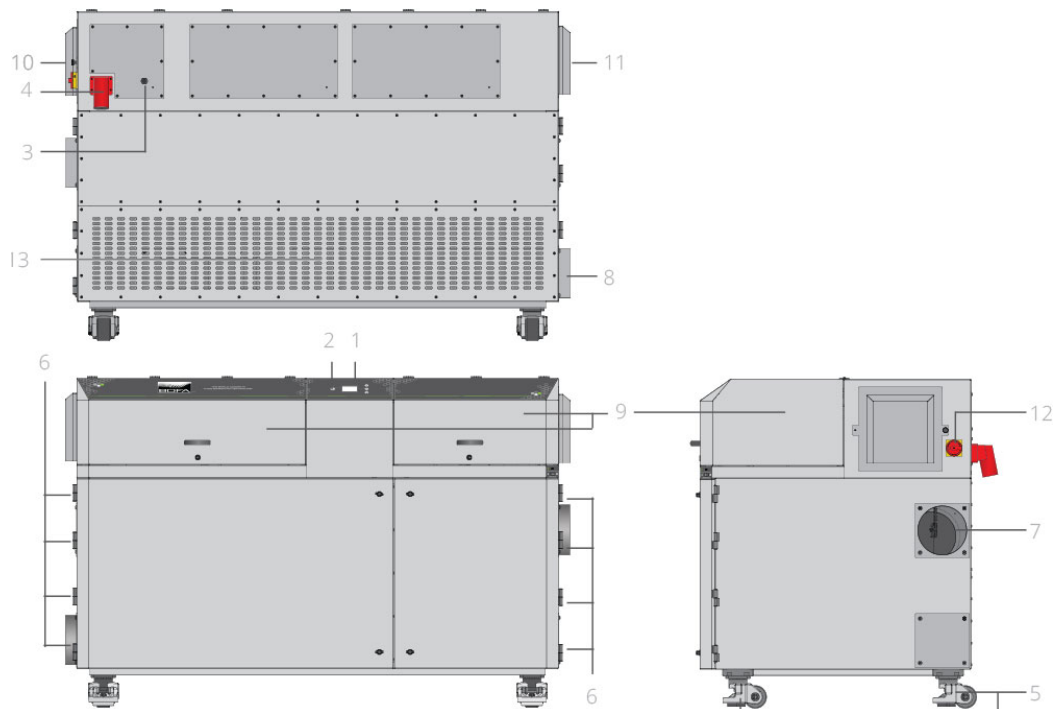
9 Removable front panels

10 Motor cooling inlet

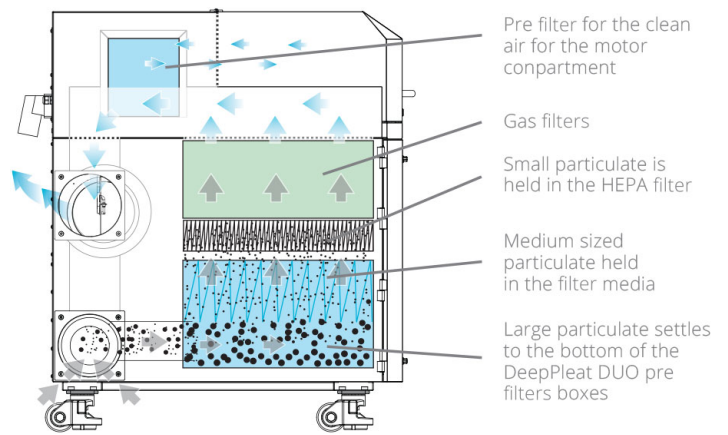
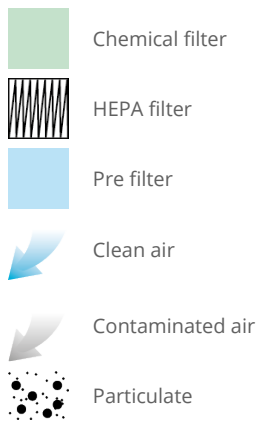
11 Motor cooling outlet

12 On / off switch

13 Exhaust outlet vent



Airflow through filters



Technical data

	EU	US
Dimensions (H x W x D) (height varies due to adjustable castors)	1300 x 1955 x 1100mm	51.18 x 76.97 x 43.31"
Cabinet construction	Powder coated mild steel	Powder coated mild steel
Airflow/Pressure	2900m ³ /hr / 44mbar	1705cfm / 44mbar
Electrical data	(EU) 415V / 3Ph / 50Hz / 6.6kw / 16A / L1, L2, L3 17A - N 1A	(EU) 415V / 3Ph / 50Hz / 6.6kw / 16A / L1, L2, L3 17A - N 1A
Noise level	< 82dBA (at typical operating speed)	< 82dBA (at typical operating speed)
Weight	580kgs	1276lbs
Approvals	CE	CE

3 x Combined HEPA/Gas filter specifications

Surface media area	7.5m ² approx x 3 (22.5m ²) 80.7 ft ² approx x 3 (242.1 ft ²)
HEPA filter media	Glass fibre
HEPA media construction	Maxi pleat construction with webbing spacers
Filter housing	Zintec mild steel
Treated activated carbon	34kgs (102kgs) 74.8 lbs (224.4 lbs)
Filter efficiency	99.997% @ 0.3 microns

3 x DeepPleat DUO pre filter specifications

Surface media area	30m ² approx x 3 (90m ²) 322.8 ft ² approx x 3 (968.4 ft ²)
Filter media	Glass fibre
Filter media construction	Maxi pleat construction with webbing spacers
Filter housing	Zintec mild steel
Filter efficiency	95% @ 0.9 microns
Inlet size	125mm (0.41ft)
Dropout chamber size	58 litres x 3 (174 litres)

3 x DeepPleat DUO pre filter specifications

Filter media pleat size	200mm x 3 (600mm) 0.65ft x 3 (1.95ft)
-------------------------	---------------------------------------

Unit part numbers

Model	24V Stop / Start	Filter change / System failure signal	VOC monitoring	Part no.
AD 4000 iQ powder coated	YES	YES	NO	296295812128-1743
AD 4000 iQ powder coated	YES	YES	YES	304395812128-1743

Replacement filter part numbers

Model	Triple pack DeepPleat DUO pre filters	Triple pack combined HEPA/Gas filters
AD 4000 iQ	A1030407	A1030406

Other languages

AD 4000 iQ
[French](#)

Datasheet correct at time of publishing.

Where applicable, the carbon used in BOFA units is capable of removing a wide range of VOC's, however it is the responsibility of the user to ensure the carbon is suitable for their application. For specific applications, please contact us for details.

Think before you print! Please consider the environment before printing this document.



光技術をサポートする

株式会社オプトサイエンス

<https://www.optoscience.com>

東京本社 〒160-0014 東京都新宿区内藤町1番地 内藤町ビルディング TEL:03-3356-1064
大阪営業所 〒532-0011 大阪市淀川区西中島7-7-2 新大阪ビル西館 TEL:06-6305-2064
名古屋営業所 〒450-0002 名古屋市中村区名駅2-37-21 東海ソフトビル TEL:052-569-6064

E-mail : info@optoscience.com