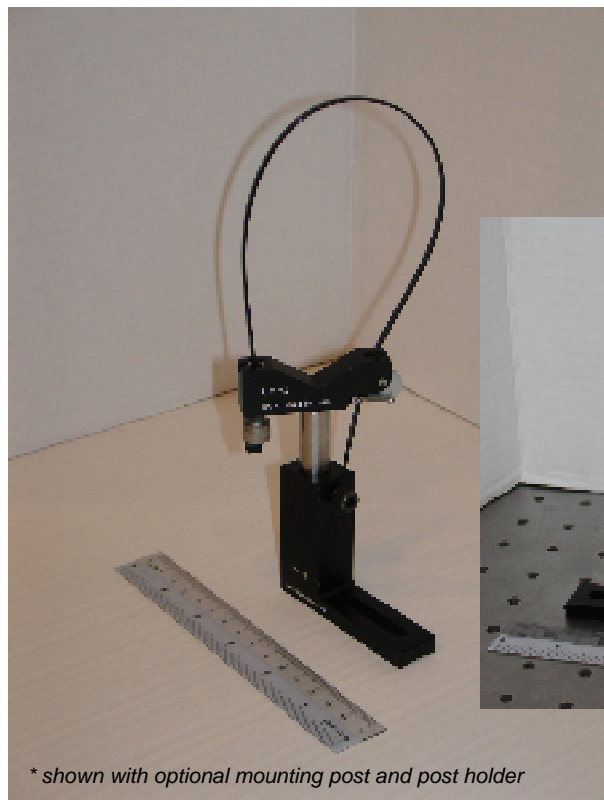
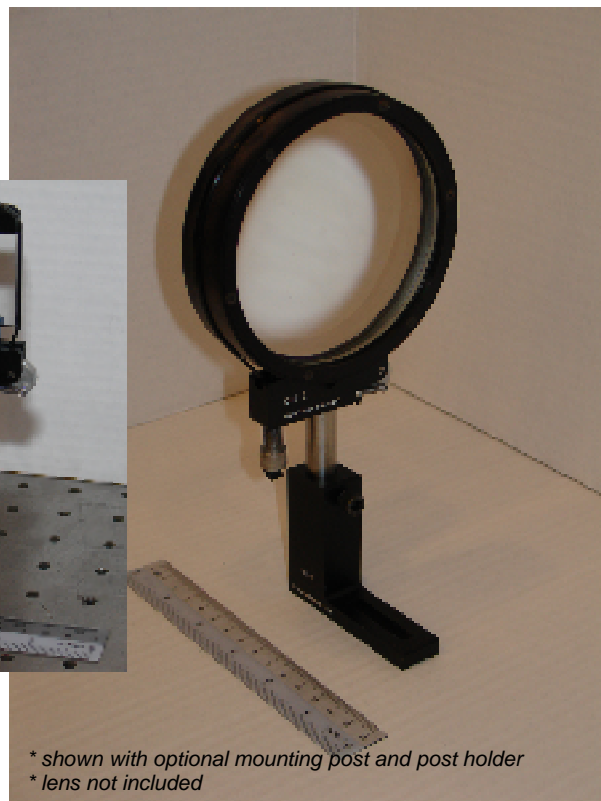
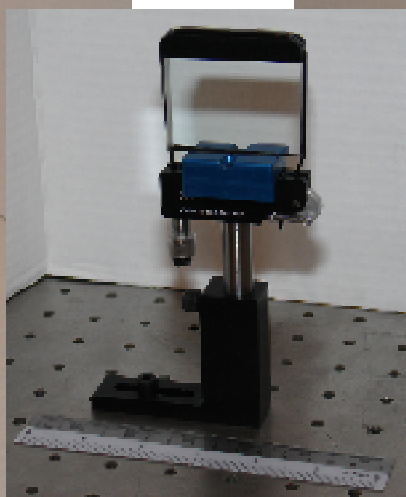


# Omni Mount



\* shown with optional mounting post and post holder

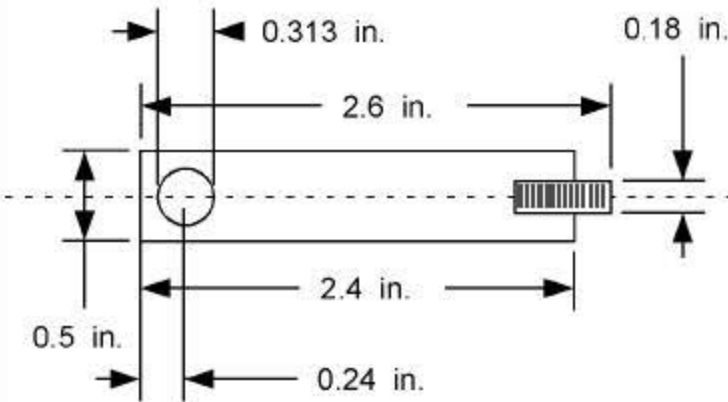


\* shown with optional mounting post and post holder  
\* lens not included

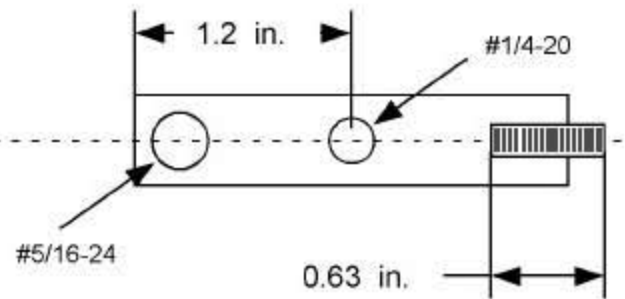
- Extremely versatile, secure, kinematically stable, rigid mounting
- Accommodates optics from 2 mm to 200 mm
- Accommodates a wide range of optical components  
Lenses, Tubes, Boxes, Cylinders, Prisms, Spheres, Lasers,  
Crystals, Modulators, Scanners, Fibers, Gratings
- Self centering in one axis.
- Quick and simple to use
- Durable
- Non-obtrusive
- Protected by U.S. Patent #7,170,695
- Available with optional table and strap guide bar (as shown in middle photograph)
- Purchase online at [www.taboada.com](http://www.taboada.com)



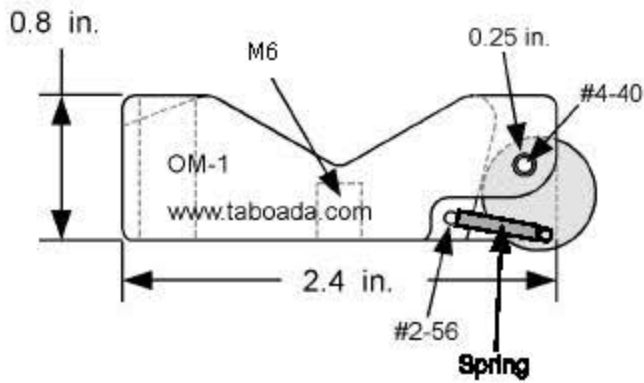
**Top View:**



**Bottom View:**



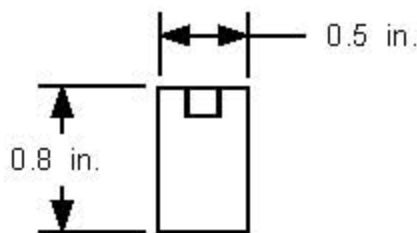
**Front View:**



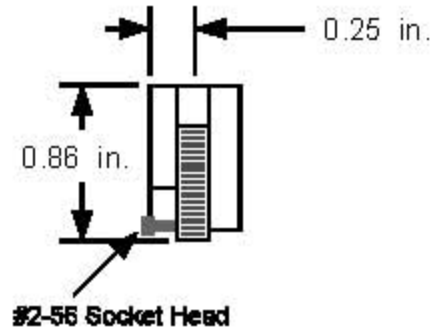
**Back View:**



**Left Side View:**



**Right Side View:**



Material: Black Anodized Aluminum

**(TRi<sup>2</sup>)** Taboada Research  
Instruments, Inc.

Part Number: OM-1

Omni Mount

Unless otherwise specified, dimensions are in inches and are within +/- 0.005

Scale:

Specifications subject to change without notice. Not responsible for misprints or typographical errors.