

DATA SHEET

- **Output Current up to 75 A**
- **Up to 300 μ s pulse width**
- **Rise-time of <4 μ s**
- **1 PPS**
- **Current monitor output 1 volt/100 amps**
- **Optimized for driving up to nine laser diode bars in series**
- **Only 22 grams**

The PLDD-75-9-1 is an ultra-miniature, battery operated, laser diode driver optimized for driving 9 stacked diode bars to 75 amps of peak current. Due to the compact size and weight (only 22 grams), this unit is well suited for man-portable and airborne applications.

The magnitude of the output current is controlled either by an on-board potentiometer or a user supplied DC voltage. The input trigger signal controls the pulse width.

The optional Universal Interface Board, (UIB-01) allows the user easy access to all control pins. Commonly used signals on the UIB-01 are available through BNC connections such as the input trigger and the current monitor which allows the user a real time view of the current.

The PLDD-75-9-1 can be powered by a +5 volt supply. Consult the factory for battery operation.

OMNIPULSE TECHNOLOGY

6355 Nancy Ridge Drive, San Diego, CA 92121

Tel: (858) 452-7700 • Fax: (858) 452-8788

Email: sales@omnipulsetechnology.com • <http://www.omnipulsetechnology.com>

光技術をサポートする

株式会社オプトサイエンス<http://www.optoscience.com>

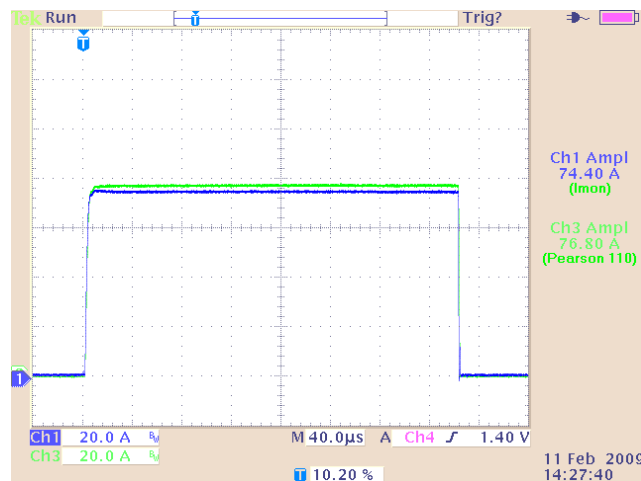
東京本社 〒160-0014 東京都新宿区内藤町1番地 内藤町ビルディング
TEL: 03 (3356) 1064 FAX: 03 (3356) 3466 E-mail: info@optoscience.com
大阪支店 〒532-0011 大阪市淀川区西中島7-7-2 新大阪ビル西館
TEL: 06 (6305) 2064 FAX: 06 (6305) 1030 E-mail: osk@optoscience.com
名古屋営業所 〒450-0002 名古屋市中村区名駅2-37-21 東海ソフトビル
TEL: 052 (569) 6064 FAX: 052 (569) 8064 E-mail: ngo@optoscience.com

SPECIFICATIONS*	
Parameter	Value
Pulse Output Current (Load = 9 bar stack)	
Amplitude Range	0-75 amps
Means of Adjustment	Internal adjustment with potentiometer or user supplied DC voltage (0.75 volts=75 amps)
Pulse Rise Time	<4 μ s
Pulse Width	0-300 μ s (set by user supplied input trigger)
Pulse Recurrence Frequency Range	1 PPS
Compliance Voltage	18 volts (9 bar stack)
Output Connection	Twister pair AWG 16, 6" length
Trigger Requirements	
Type	3.3/5 volt CMOS
Outputs	
Current Monitor	1.0 volt/ 100 amps into >10 kOhm 0.50 volt/100 amps into 50 Ohm
General	
Input Power	+5 volt 350 mA Consult factory for battery operation.
Dimensions (H X W X D) inches	0.93" X 0.75 X 2.69" (Approximate)

*Specifications are subject to change without notice

Current Monitor Output

75 A / 300 μ S pulse



Comparison of the I-mon output (lower trace) and a Pearson current monitor (upper trace).

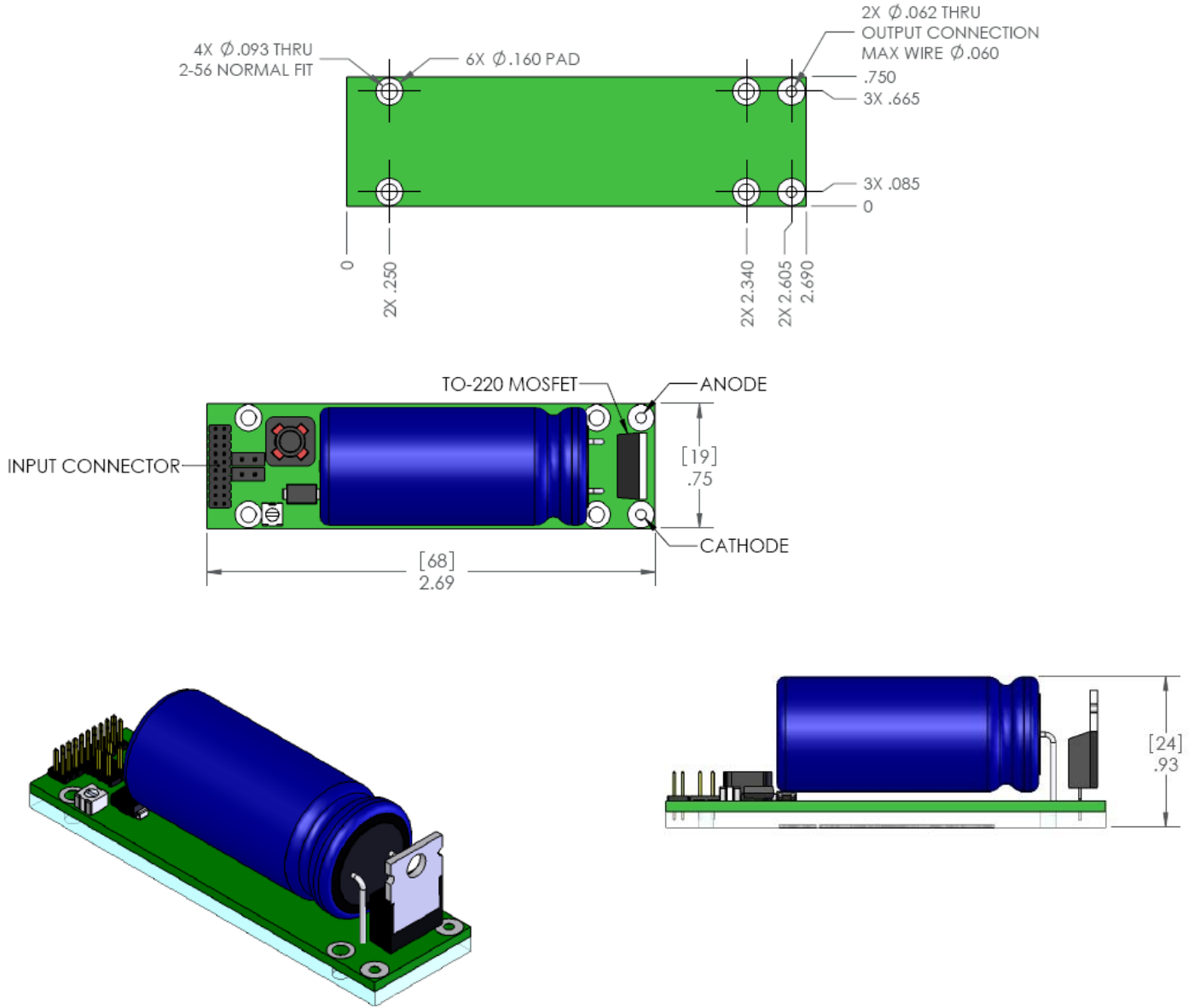
OMNIPULSE TECHNOLOGY

6355 Nancy Ridge Drive, San Diego, CA 92121

Tel: (858) 452-7700 • Fax: (858) 452-8788

Email: sales@omnipulsetechnology.com • <http://www.omnipulsetechnology.com>

PHYSICAL DIMENSIONS*



**Dimension are subject to change without notice.*

OMNIPULSE TECHNOLOGY

6355 Nancy Ridge Drive, San Diego, CA 92121

Tel: (858) 452-7700 • Fax: (858) 452-8788

Email: sales@omnipulsetechnology.com • <http://www.omnipulsetechnology.com>