

DATA SHEET



- **Output Current up to 200 A**
- **Up to 300 μ s pulse width**
- **Rise-time of <4 μ s**
- **1 PPS**
- **Current monitor output 1 volt/100 amps**
- **Optimized for driving a single laser diode bar**
- **Less than 1 oz**

The PLDD-200-1-1 is an ultra-miniature, battery operated, laser diode driver for driving a single laser diode bar to 200 amps of peak current. Due to the compact size and weight (less than 1 oz), this unit is well suited for man-portable and airborne applications.

The optional Universal Interface Board (UIB-01) allows the user easy access to all control pins. Commonly used signals on the UIB-01 are available through BNC connections such as the input trigger and the current monitor which allows the user a real time view of the current.

The magnitude of the output current is controlled either by an on-board potentiometer or a user supplied DC voltage. The input trigger signal controls the pulse width.

The PLDD-200-1-1 can be powered by a +5 volt supply. Contact factory for battery operation.

OMNIPULSE TECHNOLOGY

6355 Nancy Ridge Drive, San Diego, CA 92121

Tel: (858) 452-7700 • Fax: (858) 452-8788

Email: sales@omnipulsetechnology.com • <http://www.omnipulsetechnology.com>



光技術をサポートする

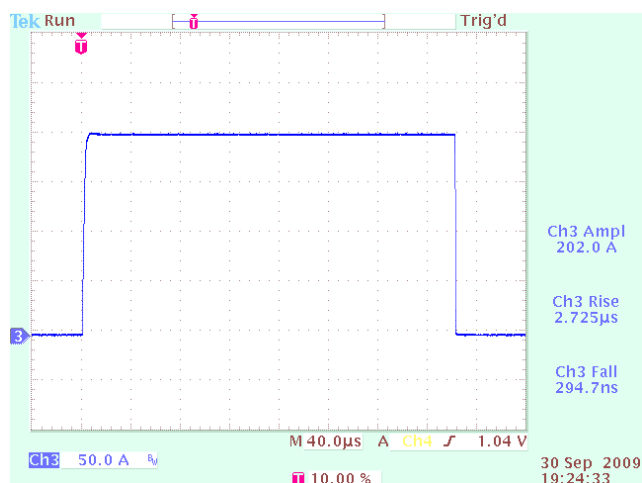
株式会社オプトサイエンス

<http://www.optoscience.com>

東京本社 〒160-0014 東京都新宿区内藤町1番地 内藤町ビルディング
TEL: 03 (3356) 1064 FAX: 03 (3356) 3466 E-mail: info@optoscience.com
大阪支店 〒532-0011 大阪市淀川区西中島7-7-2 新大阪ビル西館
TEL: 06 (6305) 2064 FAX: 06 (6305) 1030 E-mail: osk@optoscience.com
名古屋営業所 〒450-0002 名古屋市中村区名駅2-37-21 東海ソフトビル
TEL: 052 (569) 6064 FAX: 052 (569) 8064 E-mail: ngo@optoscience.com

SPECIFICATIONS*	
Parameter	Value
Pulse Output Current (Load = Single Laser Diode Bar)	
Amplitude Range	0-200 amps
Means of Adjustment	Internal adjustment with potentiometer or user supplied DC voltage (1 volts=100 amps)
Pulse Rise/Fall Time	<4 μ s
Pulse Width	0-300 μ s (set by user supplied input trigger)
Pulse Recurrence Frequency Range	Single shot to 1 PPS
Compliance Voltage	3 volts (single bar)
Output Connection	Twisted pair AWG 16
Trigger Requirements	
Type	+3.3 to +5 volt CMOS. The width of the trigger signal determines the output pulsewidth.
Outputs	
Current Monitor	1.0 volt/ 100 amps into >10 kOhm 0.5 volt/100 amps into 50 Ohm
General	
Input Power	+2.2 to +5.5 VDC No reverse polarity protection. Contact factory for battery operation.
Dimensions (H X W X D) inches	0.94" X 0.80" X 2.75" (Approximate)

Current Monitor Output
200 A / 300 μ s pulse



Comparison of the I-mon output (lower trace) and a Pearson current monitor (upper trace).

Warning: Please discharge capacitor before connecting or removing any load

**Specifications are subject to change without notice.*

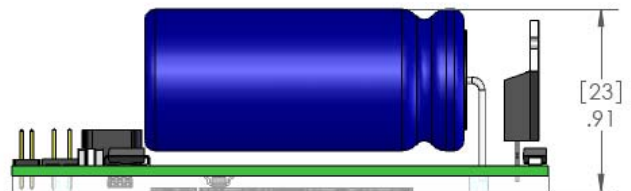
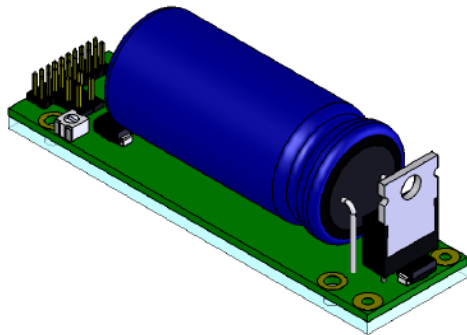
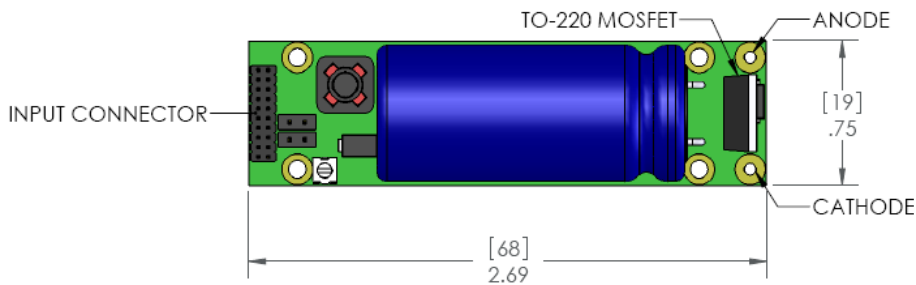
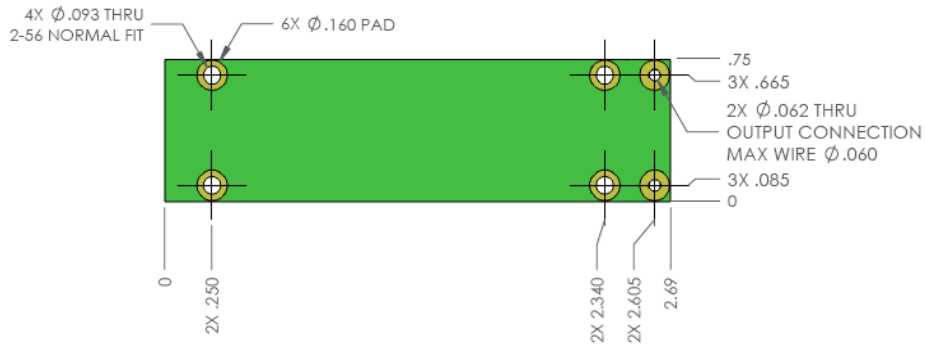
OMNIPULSE TECHNOLOGY

6355 Nancy Ridge Drive, San Diego, CA 92121

Tel: (858) 452-7700 • Fax: (858) 452-8788

Email: sales@omnipulsetechnology.com • <http://www.omnipulsetechnology.com>

PHYSICAL DIMENSIONS*



**Dimensions are subject to change without notice.*

OMNIPULSE TECHNOLOGY

6355 Nancy Ridge Drive, San Diego, CA 92121

Tel: (858) 452-7700 • Fax: (858) 452-8788

Email: sales@omnipulsetechnology.com • <http://www.omnipulsetechnology.com>