

# Gooch & Housego



## Coax Transformer Cable C61x/C62x-Series

3 dB Power Splitter

The coaxial transformer cables C61x and C62x are 3dB power splitters. They are characterized by a very low insertion loss.

The transformer cables are well proved for driving Super Q-Switches or pairs of standard Q-Switches by a single high power RF driver.

### Key Features:

- max. input power 300 Watt
- Low insertion loss
- Special "Narrow Tolerance" design allows accurate splitting ratio
- 24 to 80 MHz models available
- BNC and TNC output connectors available

### Applications:

- Synchronously driving a pair of Q-Switches or a Super Q-Switch by a single high power RF driver



光技術をサポートする  
**株式会社オプトサイエンス**  
<http://www.optoscience.com>

東京本社 〒160-0014 東京都新宿区内藤町1番地 内藤町ビルディング  
TEL:03(3356)1064 FAX:03(3356)3466 E-mail:info@optoscience.com  
大阪支店 〒532-0011 大阪市淀川区西中島7-7-2 新大阪ビル西館  
TEL:06(6305)2064 FAX:06(6305)1030 E-mail:osk@optoscience.com  
名古屋営業所 〒450-0002 名古屋市中村区名駅2-37-21 東海ソフトビル  
TEL:052(569)6064 FAX:052(569)8064 E-mail:ngo@optoscience.com

## Technical Data

Type	C610	C611	C612	C613	C614
	C620	C621	C622	C623	C624
Frequency [MHz]	24.00	27.12	40.68	68.00	80.00
Splitting Ratio	3 dB				
Splitting Tolerance	<0.5 dB				
Insertion Loss	<1 dB				
Impedance	50 $\Omega$				
VSWR	<1.2 (ports terminated with 50 $\Omega$ )				

## Connectors, Dimensions

Type	C61x	C62x
RF input connector	BNC male	
RF output connectors	BNC male	TNC male
Standard Accessory (included in delivery)	1 adaptor BNC female-female	

Type	C610	C611	C612	C613	C614
	C620	C621	C622	C623	C624
Length [m]	2.1	1.9	1.3	0.8	0.7

## Environmental Conditions

Operating temperature	+10 °C ... +40 °C, non condensing
Storage temperature	-20 °C ... +70 °C, non condensing

## Absolute Maximum Ratings

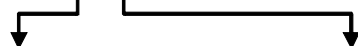
<b>Input Power max.</b>	350 W @ 25 °C ambient temperature
<b>Operating temperature</b>	>0 °C ... +60 °C
<b>Storage temperature</b>	-25 °C ... +85 °C
<b>Bending radius</b>	5 x external diameter

## Quality Standards

<b>EU 2002/95/EC (RoHS)</b>	compliant
<b>International Standards</b>	
Coaxial Cable	MIL-C-17F
Cable Connectors and Adaptor	IEC 60169-8

## Variants List / Ordering Codes

**C6**



	RF Output Connectors		Frequency [MHz]
1	BNC	0	24
2	TNC	1	27.12
		2	40.68
		3	68
		4	80