



# Gooch & Housego



## 400 – 650nm Acousto-Optic Tunable Filter

TF525-250-6-3-GH19A

An acousto-optic tunable filter for use at 400 – 650nm. Ideal for wavelength selection of Supercontinuum sources, particularly in confocal microscopy applications.

Designed to optimise diffracted beam efficiency, quality & pointing stability while maintaining high extinction ratio and low RF drive power, also incorporating patented side-lobe suppression and active temperature stabilisation.

Use in conjunction with the 64040-150-10MDFS-16X1 frequency synthesised driver, enables independent control of frequency, amplitude and phase of up to sixteen channels, allowing active pass band resolution and profile control.

Gooch & Housego's AOTF capability is extensive. By combining our scientific knowledge, modelling capability and engineering expertise with our renowned manufacturing skill and high quality, our products are aimed at the most discerning customers, in the most demanding applications.

### Key Features:

- 400 – 650nm
- High Efficiency
- Excellent pointing stability
- Patented side-lobe suppression
- High extinction ratio
- Maintains beam quality
- Low drive power

### Applications:

- Biomedical:
  - Confocal Microscopy

## General Specifications

Interaction material:	Tellurium Dioxide (Anisotropic)
Wavelength range:	400 - 650nm
Resolution (FWHM):	< 6nm at 525nm
Active aperture:	3mm
Incident polarisation:	Linear, vertical with respect to base
Polarisation of diffracted order:	Linear, orthogonal to input (90° rotated)
Pointing stability of diffracted order:	< +/- 150µrad typical
Beam separation:	> 3°
Side lobe suppression:	> 25dB typical
Diffraction efficiency:	> 90% (> 95% typical)
RF drive power:	< 100mW / channel

Recommended RF Driver: 64040-150-10MDFS-16X1



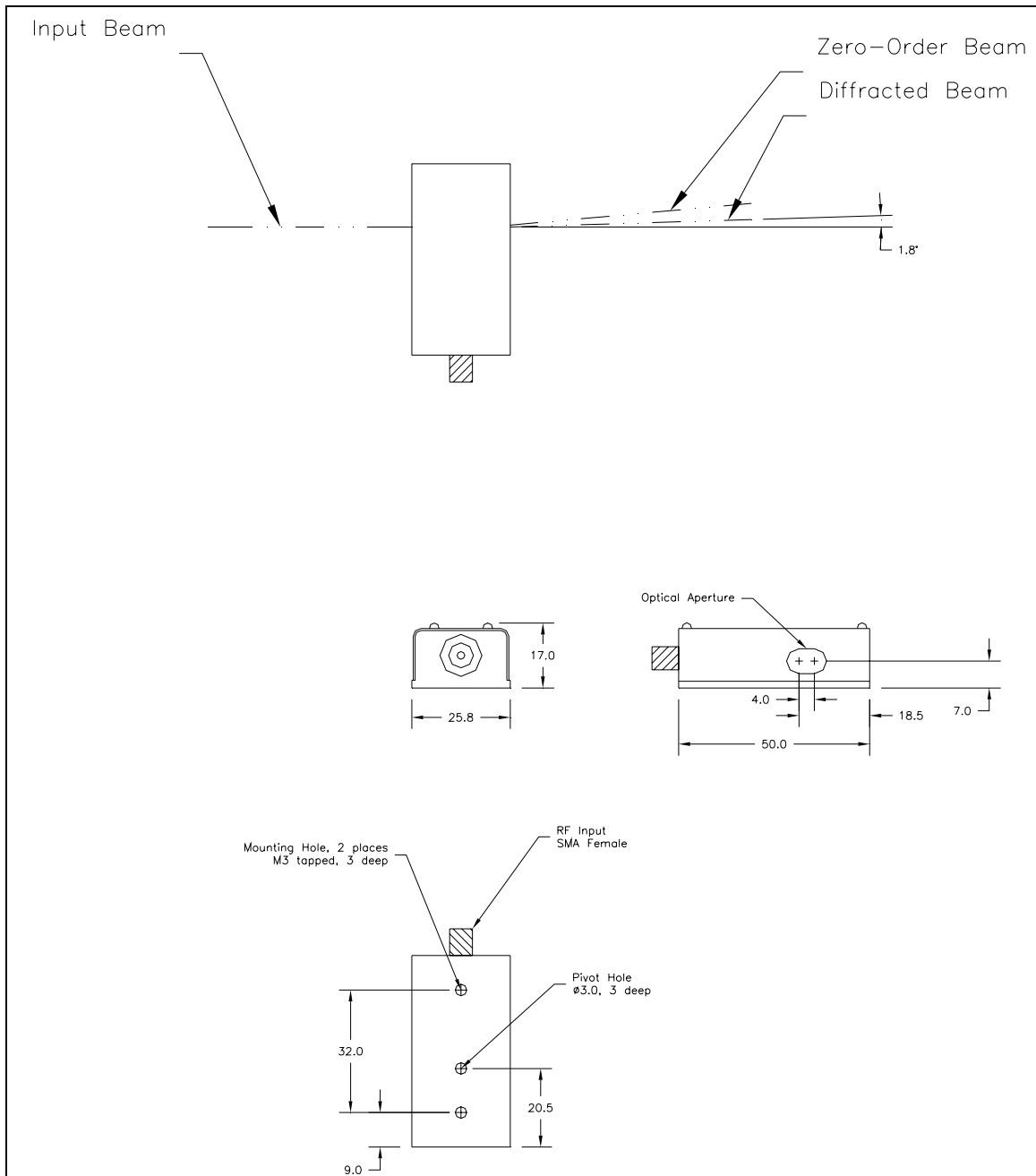
光技術をサポートする  
株式会社オプトサイエンス  
<http://www.optoscience.com>

東京本社 〒160-0014 東京都新宿区内藤町1番地 内藤町ビルディング  
TEL:03(3356)1064 FAX:03(3356)3466 E-mail:info@optoscience.com  
大阪支店 〒532-0011 大阪市淀川区西中島7-7-2 新大阪ビル西館  
TEL:06(6305)2064 FAX:06(6305)1030 E-mail:osk@optoscience.com  
名古屋営業所 〒450-0002 名古屋市中村区名駅2-37-21 東海ソフトビル  
TEL:052(569)6064 FAX:052(569)8064 E-mail:ngo@optoscience.com

### Ordering Code

**Explanation:** TF525-250-6-3-GH19A (AOTF, wavelength range 400 – 650nm, 6nm resolution, 3.0mm active aperture, GH19 housing, side lobe suppression).

T	F	5	2	5	-	2	5	0	-	6	-	3	-	G	H	1	9	A
---	---	---	---	---	---	---	---	---	---	---	---	---	---	---	---	---	---	---



### Tuning relation

