



# Gooch & Housego



## **IMPACT Series KD\*P Pockels Cell**

From the world leader in nonlinear materials and electro-optic devices comes the ideal Pockels cell for OEM applications, the IMPACT KD\*P cell. Once again, the industry standard is set by us, and at an exceptional value. The IMPACT employs the finest strain-free, highly deuterated KD\*P available. Ceramic apertures ensure robust performance in demanding applications. High damage threshold Sol Gel and dielectric AR coatings are offered for a variety of laser wavelengths. Superior connectors for high-voltage applications, the standard pin-type connectors provide quick connection and simplified system design and assembly. Conventional threaded connectors are available as an option, if needed.

### Features

- Exceptional value
- Finest strain-free KDP/KD\*P
- Space efficient
- Ceramic apertures
- High contrast ratio
- Quick-electrical connectors
- "Ultra-flat" crystals

### Benefits

- G&H Quality-economically priced
- High contrast ratio
- Ideal for compact lasers
- Clean and highly damage-resistant
- Exceptional hold-off
- Efficient/reliable installation
- Excellent beam propagation

### Typical Performance @1064nm:

|  |                        |
|--|------------------------|
| Optical: Intrinsic Contrast Ratio  | >2000:1                |
| Voltage Contrast Ratio   | >1500:1                |
| Apertures  | 8mm, 10mm & 13mm       |
| Single Pass Optical Transmission   | >98%                   |
| Nominal DC quarter-wave voltage at 1064nm                                  | 3.4KV                  |
| Capacitance  | 6pF                    |
| Transmitted Wavefront Error  | < $\lambda/6$          |
| Typical SolGel crystal AR damage threshold @1064nm, 10ns pulse             | >20J/cm <sup>2</sup> * |
| Typical Di-Electric AR window coating damage threshold @1064nm, 10ns pulse | >10J/cm <sup>2</sup> * |

*\* Laser output characteristics will vary widely with laser design . Damage thresholds are not guaranteed.*

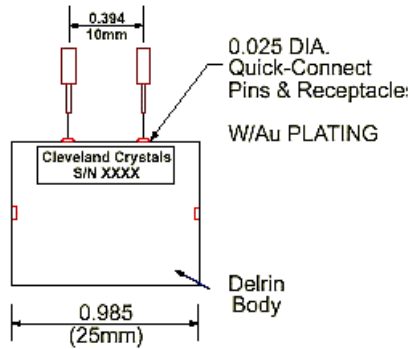


光技術をサポートする

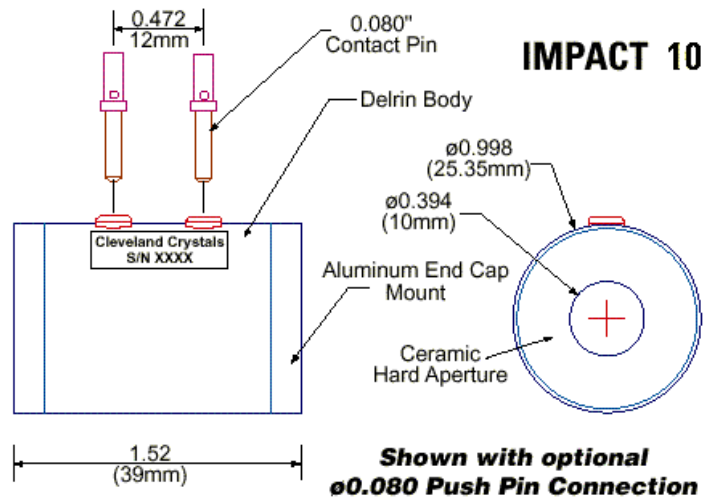
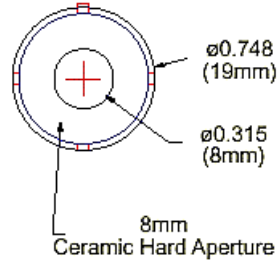
株式会社オプトサイエンス

<http://www.optoscience.com>

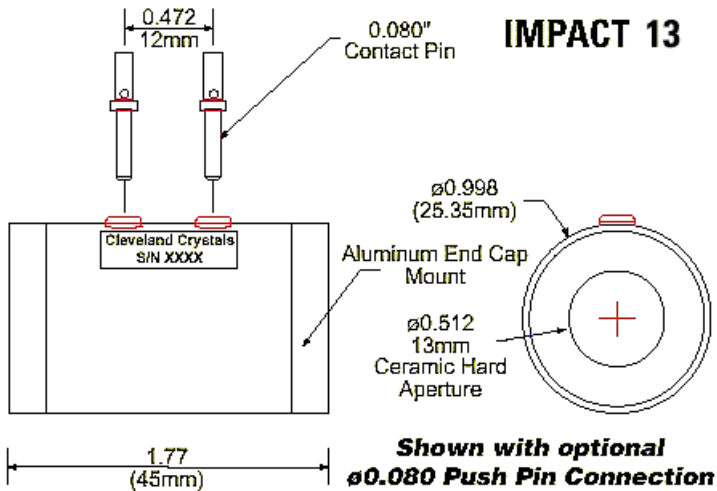
東京本社 〒160-0014 東京都新宿区内藤町1番地 内藤町ビルディング  
 TEL: 03 (3356) 1064 FAX: 03 (3356) 3466 E-mail: info@optoscience.com  
 大阪支店 〒532-0011 大阪市淀川区西中島7-7-2 新大阪ビル西館  
 TEL: 06 (6305) 2064 FAX: 06 (6305) 1030 E-mail: osk@optoscience.com  
 名古屋営業所 〒450-0002 名古屋市中村区名駅2-37-21 東海ソフトビル  
 TEL: 052 (569) 6064 FAX: 052 (569) 8064 E-mail: ngo@optoscience.com



### IMPACT 8



### IMPACT 10



### IMPACT 13

Contact:

[Sales@GoochandHousego.com](mailto:Sales@GoochandHousego.com)

[www.GoochandHousego.com](http://www.GoochandHousego.com)