



Gooch & Housego

DEVICE SPECIFICATIONS

MODEL NUMBER:

48062-1-.55

DOCUMENT NUMBER: 56A14328F

<u>PARAMETER</u>	<u>SPECIFICATION</u>
Interactive Material	TeO ₂
Acoustic Mode	Shear
Operating Wavelength	442 to 676 nm
Operating Frequency	See Chart below
Window Configuration	AR Coated
Static Transmission	>90 %
Diffraction Efficiency	≥ 80 % per wavelength
Input Light Polarization	Linear, Horizontal (Parallel to acoustic propagation)
Input Beam Divergence	< 1 mrad (solid angle)
Acoustic Aperture Size	≤ 1 mm
Resolution	35 Å @ 467 nm 40 Å @ 647 nm
Deflection Angle (with respect to input beam) (with respect to incident light)	1.3° (wavelength insensitive)
Drive Power Per Wavelength	0.1 watt nominal
Total Power for All Wavelength	0.8 watt maximum
Impedance	50 ohm nominal
VSWR	≤2:1
Housing	53B00592
Housing with 72000 Bragg Mount	53B1827
Operating Manual: 51A05418	Acceptance Test Procedure: 42A8873 Acceptance Test Results form: 52A7132
Recommended Drivers:	
Eight Channel:	AOTF Driver System: 64048-80-.2ADSDFS-8X1 AOTF Driver Module: 64048-80-.2ADMDFS-8X1

For More Information, Contact: Sales@GoochandHousego.com www.goochandhousego.com

As part of our policy of continuous product improvement we reserve the right to change specifications at any time.



光技術をサポートする

株式会社オプトサイエンス

<http://www.optoscience.com>

東京本社 〒160-0014 東京都新宿区内藤町1番地 内藤町ビルディング
 TEL: 03 (3356) 1064 FAX: 03 (3356) 3466 E-mail: info@optoscience.com
 大阪支店 〒532-0011 大阪市淀川区西中島7-7-2 新大阪ビル西館
 TEL: 06 (6305) 2064 FAX: 06 (6305) 1030 E-mail: osk@optoscience.com
 名古屋営業所 〒450-0002 名古屋市中村区名駅2-37-21 東海ソフトビル
 TEL: 052 (569) 6064 FAX: 052 (569) 8064 E-mail: ngo@optoscience.com

Driver Frequency @ Specified Wavelength

<u>PARAMETER</u>	<u>SPECIFICATION</u>
Wavelength (nm)	Frequency (MHz)
442	82.69
457*	78.19
465*	76.29
472*	74.67
476*	73.85
482	72.51
488*	71.38
496*	69.69
501*	68.70
514*	66.39
520*	65.32
525	64.50
528*	64.04
530*	63.75
532	63.51
543	61.84
561	59.23
568*	58.35
575*	57.50
632*	51.10
635	50.91
647*	49.72
650	49.46
676*	47.17

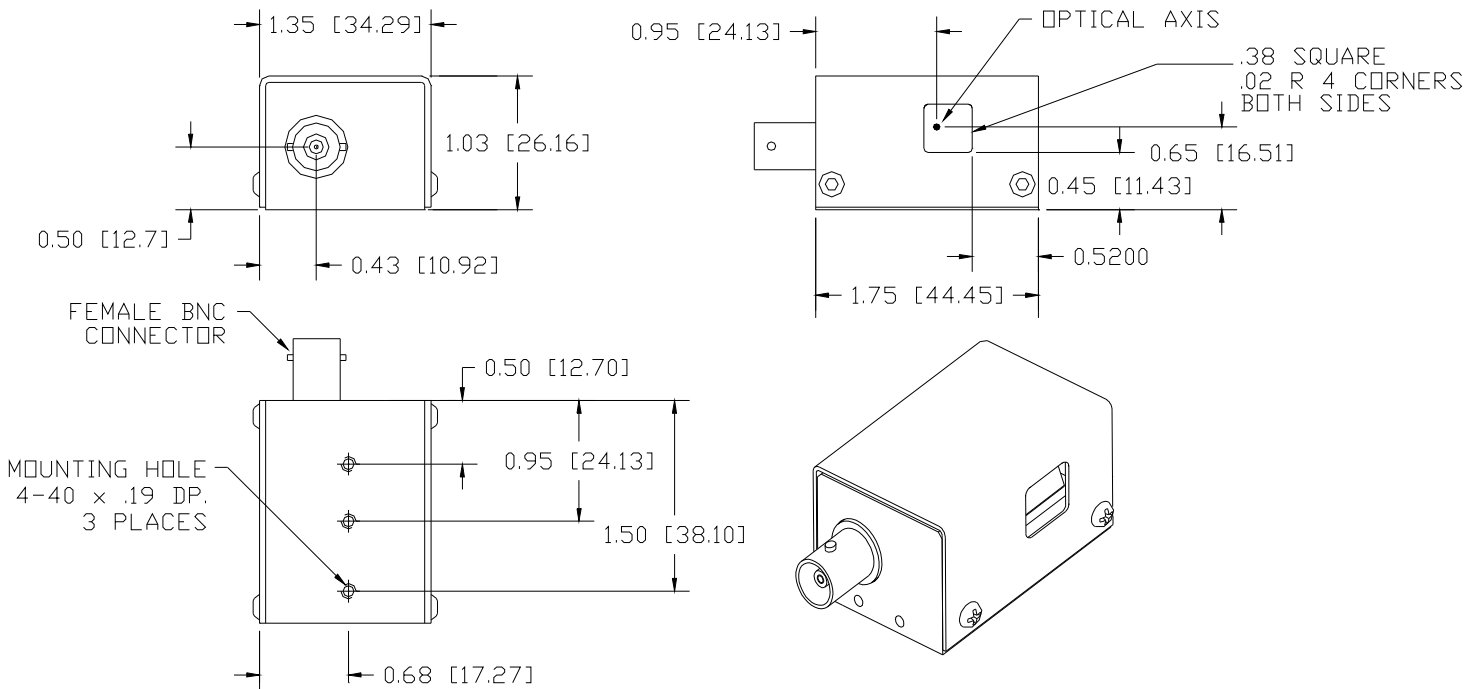
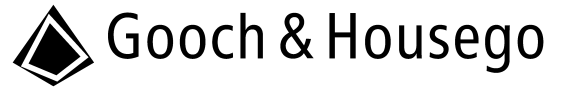
* Driver Standard Settings.

Data for other wavelengths are available.

For More Information, Contact: Sales@GoochandHousego.com www.goochandhousego.com

As part of our policy of continuous product improvement we reserve the right to change specifications at any time.

Mechanical Dimensions:
Dimensions in inches and [mm]



For More Information, Contact: Sales@GoochandHousego.com www.goochandhousego.com

As part of our policy of continuous product improvement we reserve the right to change specifications at any time.



Gooch & Housego

DEVICE SPECIFICATIONS

MODEL NUMBER:

48062-2.5-.55

DOCUMENT NUMBER: 56A14329H

<u>PARAMETER</u>	<u>SPECIFICATION</u>
Interactive Material	TeO ₂
Acoustic Mode	Shear
Operating Wavelength	442 to 676 nm
Operating Frequency	See Chart below
Window Configuration	AR Coated
Static Transmission	>90 %
Diffraction Efficiency	≥80 % per wavelength
Input Light Polarization	Linear, Horizontal (Parallel to acoustic propagation)
Input Beam Divergence	<1 mrad (solid angle)
Acoustic Aperture Size	≤ 2.5 mm
Resolution	35 Å @ 467 nm 40 Å @ 647 nm
Deflection Angle (with respect to incident light)	1.3° (wavelength insensitive)
Drive Power Per Wavelength	0.1 watt nominal
Total Power for All Wavelength	0.8 watt maximum
Impedance	50 ohm nominal
VSWR	≤2:1
Housing	53B00592
Housing with 72000 Bragg Mount	53B1827
Operating Manual: 51A05418	Acceptance Test Procedure: 42A8873 Acceptance Test Results form: 52A7132
Recommended Drivers:	
Eight Channel:	AOTF Driver System: 64048-80-.2ADSDFS-8X1 AOTF Driver Module: 64048-80-.2ADMDFS-8X1

For More Information, Contact: Sales@GoochandHousego.com www.goochandhousego.com

As part of our policy of continuous product improvement we reserve the right to change specifications at any time.

Driver Frequency @ Specified Wavelength

<u>PARAMETER</u>	<u>SPECIFICATION</u>
Wavelength (nm)	Frequency (MHz)
442	82.69
457*	78.19
465*	76.29
472*	74.67
476*	73.85
482	72.51
488*	71.38
496*	69.69
501*	68.70
514*	66.39
520*	65.32
525	64.50
528*	64.04
530*	63.75
532	63.51
543	61.84
561	59.23
568*	58.35
575*	57.50
632*	51.10
635	50.91
647*	49.72
650	49.46
676*	47.17

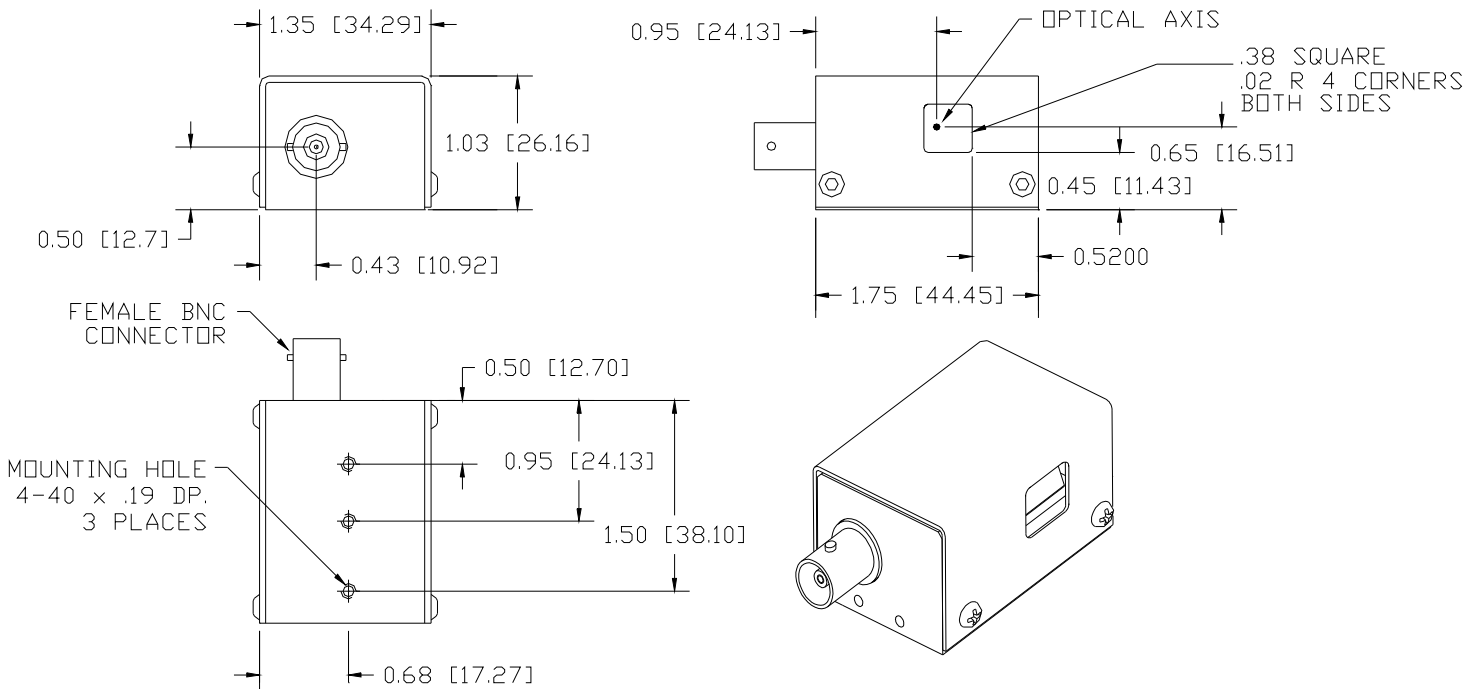
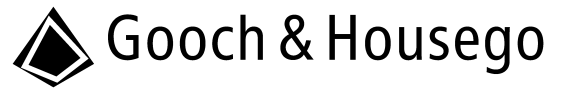
* Driver Standard Settings.

Data for other wavelengths are available.

For More Information, Contact: Sales@GoochandHousego.com www.goochandhousego.com

As part of our policy of continuous product improvement we reserve the right to change specifications at any time.

Mechanical Dimensions:
Dimensions in inches and [mm]



For More Information, Contact: Sales@GoochandHousego.com www.goochandhousego.com

As part of our policy of continuous product improvement we reserve the right to change specifications at any time.



Gooch & Housego

DEVICE SPECIFICATIONS

MODEL NUMBER:

48062-4.5-.55

DOCUMENT NUMBER: **56A10686F**

<u>PARAMETER</u>	<u>SPECIFICATION</u>
Interactive Material	TeO ₂
Acoustic Mode	Shear
Operating Wavelength	442 to 676 nm
Operating Frequency	See Chart below
Window Configuration	AR Coated
Static Transmission	>90 %
Diffraction Efficiency	≥80 % per wavelength
Input Light Polarization	Linear, Horizontal (Parallel to acoustic propagation)
Input Beam Divergence	<1 mrad (solid angle)
Acoustic Aperture Size	≤ 4.5 mm
Resolution	35 Å @ 467 nm 40 Å @ 647 nm
Deflection Angle (with respect to incident light)	1.3° (wavelength insensitive)
Drive Power Per Wavelength	0.1 watt nominal
Total Power for All Wavelength	0.8 watt maximum
Impedance	50 ohm nominal
VSWR	≤ 2:1
Housing	53B00592
Housing with 72000 Bragg Mount	53B1827
Operating Manual: 51A05418	Acceptance Test Procedure: 42A14986 Acceptance Test Results form: 52A06071
Recommended Drivers:	
Eight Channel:	AOTF Driver System: 64048-80-.2ADSDFS-8X1 AOTF Driver Module: 64048-80.2-ADMDFS-8X1

For More Information, Contact: Sales@GoochandHousego.com www.goochandhousego.com

As part of our policy of continuous product improvement we reserve the right to change specifications at any time.

Driver Frequency @ Specified Wavelength

<u>PARAMETER</u>	<u>SPECIFICATION</u>
Wavelength (nm)	Frequency (MHz)
442	82.69
457*	78.19
465*	76.29
472*	74.67
476*	73.85
482	72.51
488*	71.38
496*	69.69
501*	68.70
514*	66.39
520*	65.32
525	64.50
528*	64.04
530*	63.75
532	63.51
543	61.84
561	59.23
568*	58.35
575*	57.50
632*	51.10
635	50.91
647*	49.72
650	49.46
676*	47.17

* Driver Standard Settings.

Data for other wavelengths are available.

For More Information, Contact: Sales@GoochandHousego.com www.goochandhousego.com

As part of our policy of continuous product improvement we reserve the right to change specifications at any time.

