



Gooch & Housego

SPECIFICATION
MODEL NUMBER:

46080-1-LTD

DOCUMENT NUMBER: 56A17987C

<u>PARAMETER</u>	<u>SPECIFICATION</u>
Interaction Material	TeO ₂
Acoustic Mode	Longitudinal
Operating Wavelength	450-800 nm
Window Configuration	AR coated
Static Transmission	>95 %
Operating Frequency	60-100 MHz
Intensity Variation	< 2 dB
Diffraction Efficiency	>80 % midband with linear polarized light perpendicular to acoustic propagation or with random polarized light
Acoustic Aperture Size	1 mm
Rise Time	150 ns / mm beam dia.
Δ Deflection Angle	7.3 mrad @ 780 nm 4.5 mrad @ 488 nm
Deflection Angle	14.6 mrad @ 780 nm @ 80 MHz, 9.1 mrad @ 488 nm @ 80 MHz
RF Power Level	< 1 watt @ 780 nm
Impedance	50 Ω nominal
VSWR	<2:1 across bandwidth
Package	53B0624 TO1

Recommended Drivers:

Analog System Digital Frequency Synthesizer: 64020-200-1ADSDFS-A

Analog Module Digital Frequency Synthesizer: 64020-200-1ADMDFS-A

8 Channel Digital Frequency Synthesizer Driver Module 64048-80-.8-ADMDFS-8X1

Analog System Voltage Controlled Oscillator: 21060-100-1ASVCO

Analog Module Voltage Controlled Oscillator: 21060-100-1AMVCO

For More Information, Contact: Sales@GoochandHousego.com www.goochandhousego.com

As part of our policy of continuous product improvement we reserve the right to change specifications at any time.



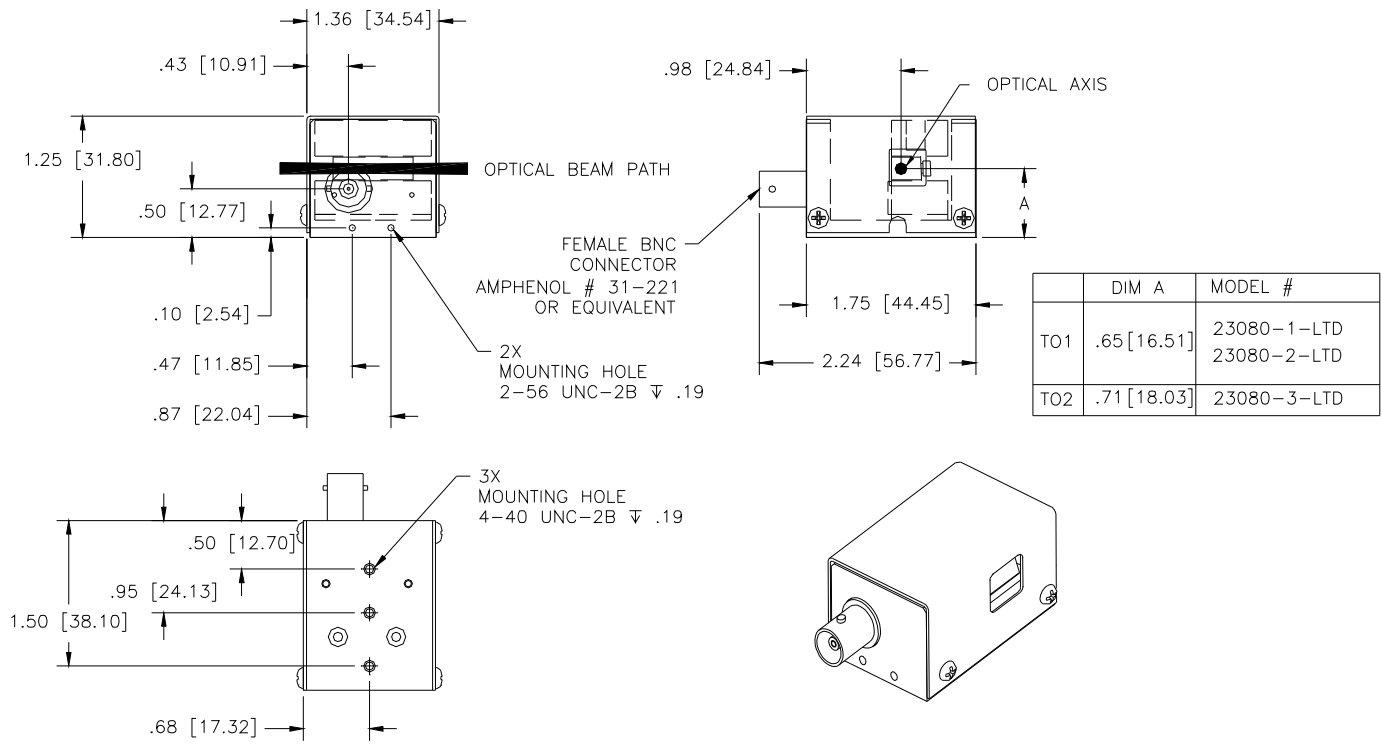
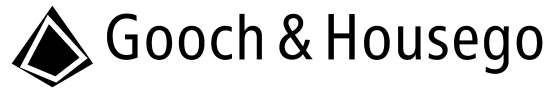
光技術をサポートする

株式会社オプトサイエンス

<http://www.optoscience.com>

東京本社 〒160-0014 東京都新宿区内藤町1番地 内藤町ビルディング
TEL: 03 (3356) 1064 FAX: 03 (3356) 3466 E-mail: info@optoscience.com
大阪支店 〒532-0011 大阪市淀川区西中島7-7-2 新大阪ビル西館
TEL: 06 (6305) 2064 FAX: 06 (6305) 1030 E-mail: osk@optoscience.com
名古屋営業所 〒450-0002 名古屋市中村区名駅2-37-21 東海ソフトビル
TEL: 052 (569) 6064 FAX: 052 (569) 8064 E-mail: ngo@optoscience.com

Mechanical Dimensions:
Dimensions in inches and [mm]



For More Information, Contact: Sales@GoochandHousego.com www.goochandhousego.com

As part of our policy of continuous product improvement we reserve the right to change specifications at any time.



Gooch & Housego

DEVICE SPECIFICATIONS

MODEL NUMBER:

46080-1-.85-LTD

DOCUMENT NUMBER: 56A18849B

<u>PARAMETER</u>	<u>SPECIFICATION</u>
Interactive Material	TeO ₂
Acoustic Mode	Longitudinal
Operating Wavelength	700 to 1100 nm
Window Configuration	AR Coated
Static Transmission	>95 %
Operating Frequency	70–90 MHz
Intensity Variation	< 1.5 dB @ 780 nm
Diffraction Efficiency (midband)	> 70 % midband with linear polarization, perpendicular to acoustic propagation, > 65 % midband with random polarization.
Acoustic Aperture Size	1 mm
Rise Time	150 nsec/mm beam dia.
Δ Deflection Angle	4 mrad @
Deflection Angle	16 mrad @ 80 MHz and 850 nm
RF Power Level	< 1 watt @ 850 nm
Impedance	50 ohms nominal
VSWR	< 1.5:1 over bandwidth
Package	53B00624 TO1

Recommended Drivers:

Analog System Digital Frequency Synthesizer: 64020-200-2ADSDFS-A

Analog Module Digital Frequency Synthesizer: 64020-200-2ADMDFS-A

8 channel Digital Frequency Synthesizer Driver Module: 64040-150-.2-ADMDFS-8X1

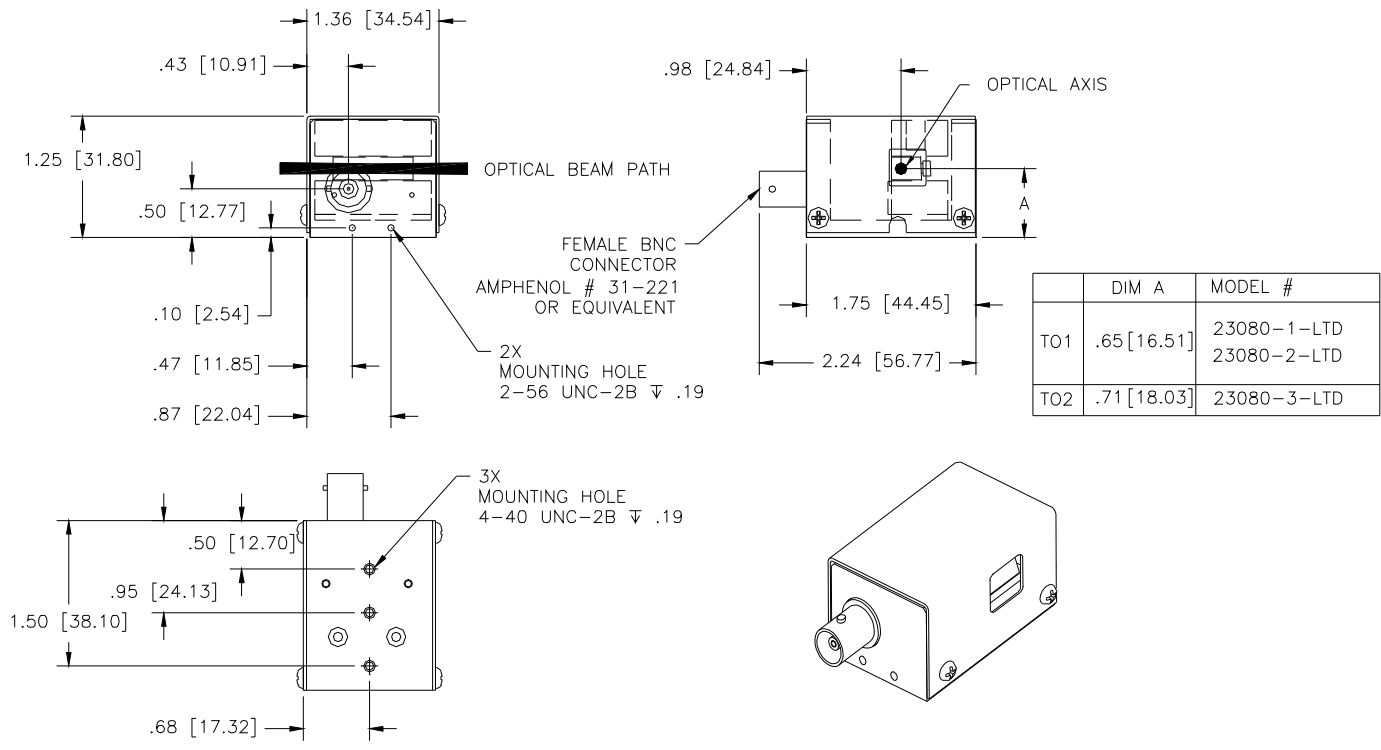
Analog System Voltage Controlled Oscillator: 21070-90-1ASVCO

Analog Module Voltage Controlled Oscillator: 21070-90-1AMVCO

For More Information, Contact: Sales@GoochandHousego.com www.goochandhousego.com

As part of our policy of continuous product improvement we reserve the right to change specifications at any time.

Mechanical Dimensions:
Dimensions in inches and [mm]



For More Information, Contact: Sales@GoochandHousego.com www.goochandhousego.com

As part of our policy of continuous product improvement we reserve the right to change specifications at any time.



Gooch & Housego

SPECIFICATIONS

MODEL NUMBER:

46080-1-1.06-LTD

DOCUMENT NUMBER: 56A15710C

<u>PARAMETER</u>	<u>SPECIFICATION</u>
Interaction Material	TeO ₂
Acoustic Mode	Longitudinal
Operating Wavelength	1.06 μm
Window Configuration	AR coated
Static Transmission	>97%
Operating Frequency	70-90 MHz
Intensity Variation	< 2.5 dB across bandwidth
Diffraction Efficiency (midband)	> 75 % midband with linear polarization, perpendicular to acoustic propagation, > 70 % midband with random polarization.
Acoustic Aperture Size	1.0 mm
Rise Time	150 nsec/mm beam diameter
Δ Deflection Angle	7.5 mrad
Deflection Angle	20 mrad @ 80 MHz
RF Power Level	< 1.5 watts
Impedance	50 ohms nominal
VSWR	< 1.5:1 across bandwidth
Package	53B00624 T01

Recommended Drivers:

Analog System Digital Frequency Synthesizer: 64020-200-2ADSDFS-A

Analog Module Digital Frequency Synthesizer: 64020-200-2ADMDFS-A

8 Channel Digital Frequency Synthesizer Driver Module 64048-80-.8-ADMDFS-8X1

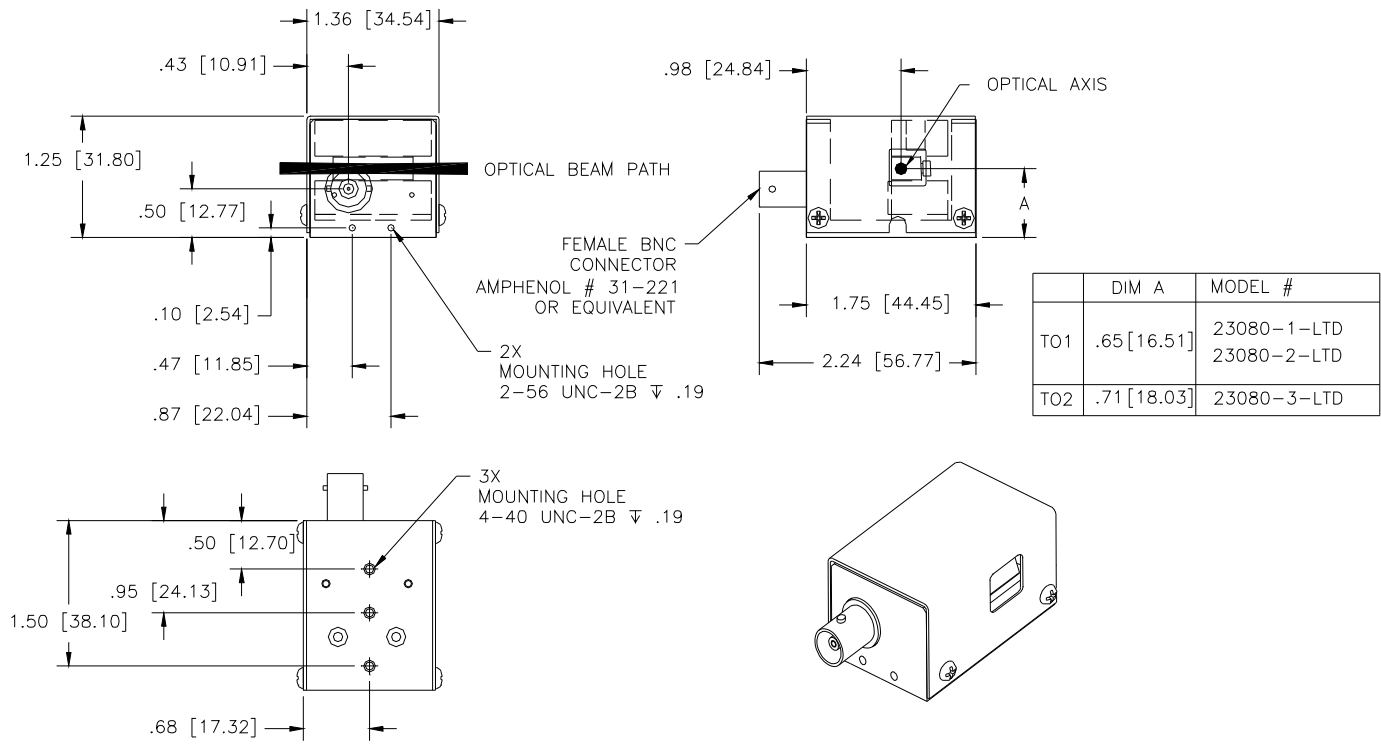
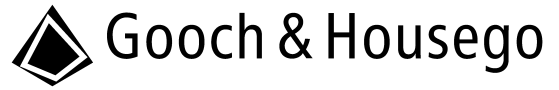
Analog System Voltage Controlled Oscillator: 21065-95-2ASVCO

Analog Module Voltage Controlled Oscillator: 21065-95-2AMVCO

For More Information, Contact: Sales@GoochandHousego.com www.goochandhousego.com

As part of our policy of continuous product improvement we reserve the right to change specifications at any time.

Mechanical Dimensions:
Dimensions in inches and [mm]



For More Information, Contact: Sales@GoochandHousego.com www.goochandhousego.com

As part of our policy of continuous product improvement we reserve the right to change specifications at any time.



Gooch & Housego

SPECIFICATION
MODEL NUMBER:

46080-2-LTD

DOCUMENT NUMBER: 56A14855C

<u>PARAMETER</u>	<u>SPECIFICATION</u>
Interaction Material	TeO ₂
Acoustic Mode	Longitudinal
Operating Wavelength	450-800 nm
Window Configuration	AR coated
Static Transmission	>95 %
Operating Frequency	60-100 MHz
Intensity Variation	< 2 dB
Diffraction Efficiency	>80 % midband with linear polarized light perpendicular to acoustic propagation or with random polarized light
Acoustic Aperture Size	2 mm
Rise Time	150 ns / mm beam dia.
Δ Deflection Angle	7.3 mrad @ 780 nm 4.5 mrad @ 488 nm
Deflection Angle	14.6 mrad @ 780 nm @ 80 MHz, 9.1 mrad @ 488 nm @ 80 MHz
RF Power Level	< 1.25 watt @ 780 nm
Impedance	50 Ω nominal
VSWR	<2:1 across bandwidth
Package	53B0624

Recommended Drivers:

Analog System Digital Frequency Synthesizer: 64020-200-2ADSDFS-A

Analog Module Digital Frequency Synthesizer: 64020-200-2ADMDFS-A

8 channel Digital Frequency Synthesizer Driver Module: 64048-80-.2-ADMDFS-8X1

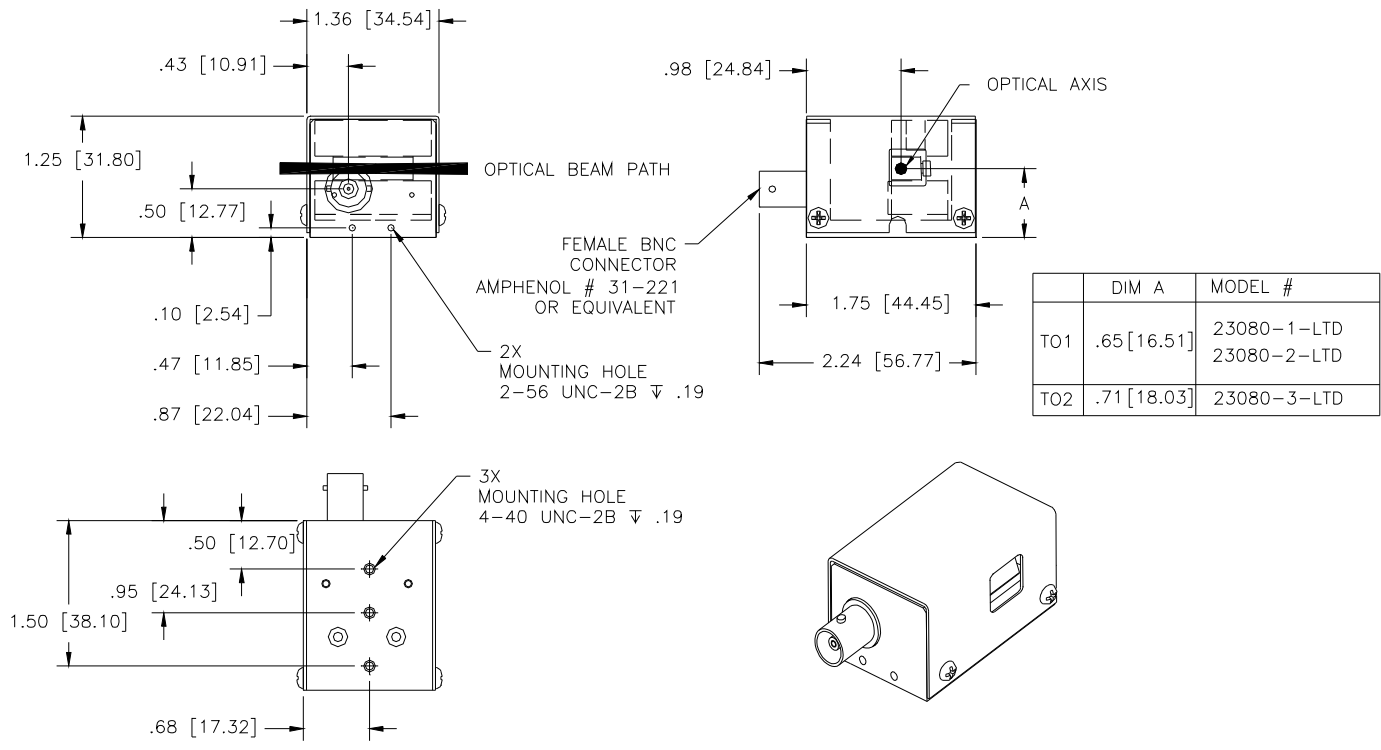
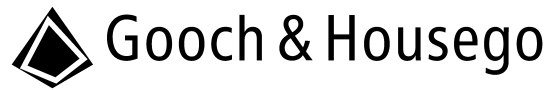
Analog System Voltage Controlled Oscillator: 21060-100-2ASVCO

Analog Module Voltage Controlled Oscillator: 21060-100-2AMVCO

For More Information, Contact: Sales@GoochandHousego.com www.goochandhousego.com

As part of our policy of continuous product improvement we reserve the right to change specifications at any time.

Mechanical Dimensions:
Dimensions in inches and [mm]



For More Information, Contact: Sales@GoochandHousego.com www.goochandhousego.com

As part of our policy of continuous product improvement we reserve the right to change specifications at any time.



Gooch & Housego

DEVICE SPECIFICATIONS

MODEL NUMBER:

46080-2-.85-LTD

DOCUMENT NUMBER: 56A18848B

<u>PARAMETER</u>	<u>SPECIFICATION</u>
Interactive Material	TeO ₂
Acoustic Mode	Longitudinal
Operating Wavelength	700 to 1100 nm
Window Configuration	AR Coated
Static Transmission	> 95 %
Operating Frequency	70–90 MHz
Intensity Variation	< 1.5 dB @ 780 nm
Diffraction Efficiency (midband)	> 70 % midband with linear polarization, perpendicular to acoustic propagation, > 65 % midband with random polarization.
Acoustic Aperture Size	2 mm
Rise Time	150 nsec/mm beam dia.
Δ Deflection Angle	4 mrad @ 850 nm
Deflection Angle	16 mrad @ 80 MHz and 850 nm
RF Power Level	< 2 watts @ 850 nm
Impedance	50 ohms nominal
VSWR	< 1.5:1 over bandwidth
Package	53B00624 TO1

Recommended Drivers:

Analog System Digital Frequency Synthesizer: 64020-200-2ADSDFS-A

Analog Module Digital Frequency Synthesizer: 64020-200-2ADMDFS-A

8 channel Digital Frequency Synthesizer Driver Module: 64040-150-.2-ADMDFS-8X1

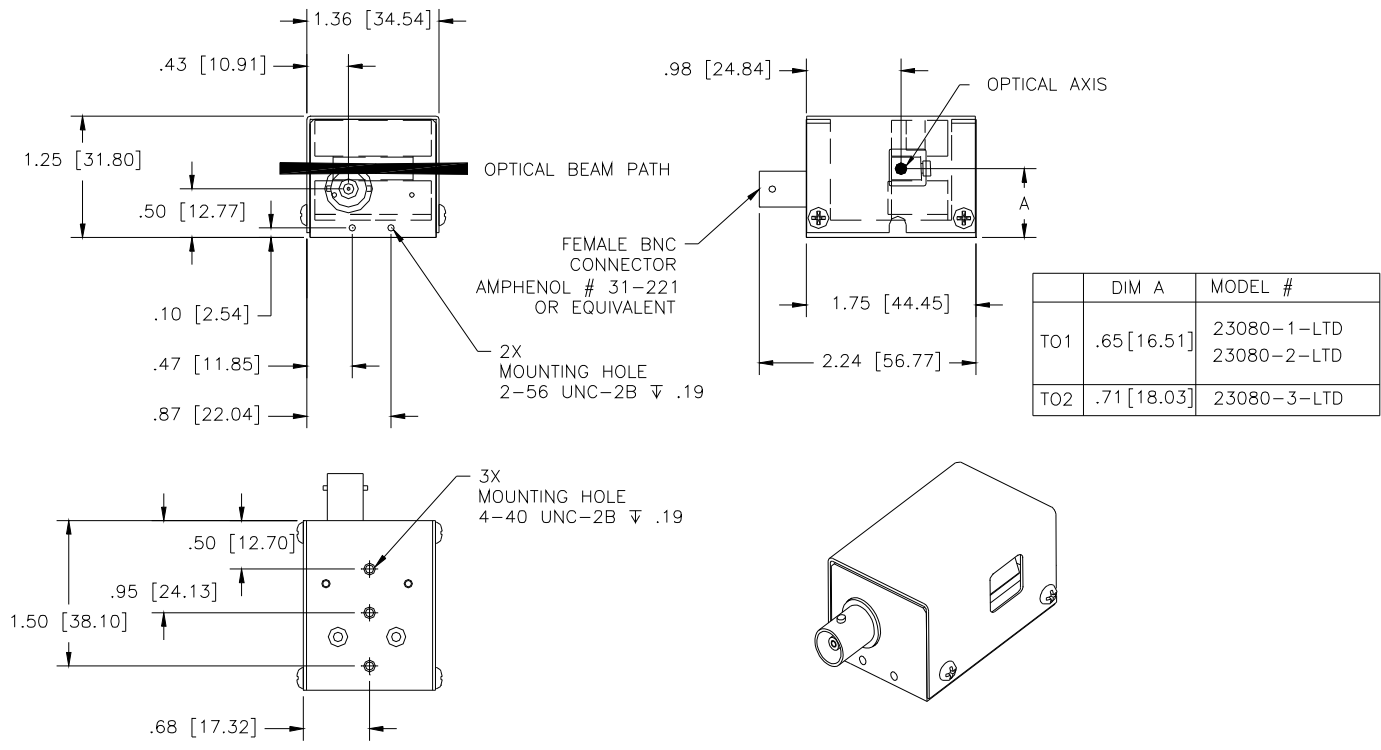
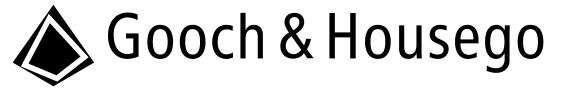
Analog System Voltage Controlled Oscillator: 21070-90-1ASVCO

Analog Module Voltage Controlled Oscillator: 21070-90-1AMVCO

For More Information, Contact: Sales@GoochandHousego.com www.goochandhousego.com

As part of our policy of continuous product improvement we reserve the right to change specifications at any time.

Mechanical Dimensions:
Dimensions in inches and [mm]



For More Information, Contact: Sales@GoochandHousego.com www.goochandhousego.com

As part of our policy of continuous product improvement we reserve the right to change specifications at any time.



Gooch & Housego

DEVICE SPECIFICATIONS

MODEL NUMBER:

46080-2-1.06-LTD

DOCUMENT NUMBER: 56A19123A

<u>PARAMETER</u>	<u>SPECIFICATION</u>
Interaction Material	TeO ₂
Acoustic Mode	Longitudinal
Operating Wavelength	1064 nm
Static Transmission	> 97 %
Window Configuration	AR coated
Operating Frequency	65-95 MHz
Intensity Variation	< 2.5 dB across bandwidth
Diffraction Efficiency (midband)	> 75 % midband with linear polarization, perpendicular to acoustic propagation, > 70 % midband with random polarization.
Acoustic Aperture Size	2 mm
Rise Time	150 ns/mm beam dia.
Δ Deflection Angle	7.5 mrad
Deflection Angle	20 mrad
RF Power Level	< 2 watts
Impedance	50 ohms nominal
VSWR	<1.5:1 across bandwidth
Package	53B0624 TO1

Recommended Drivers:

Analog System Digital Frequency Synthesizer: 64020-200-2ADSDFS-A

Analog Module Digital Frequency Synthesizer: 64020-200-2ADMDFS-A

8 channel Digital Frequency Synthesizer Driver Module: 64040-150-.2-ADMDFS-8X1

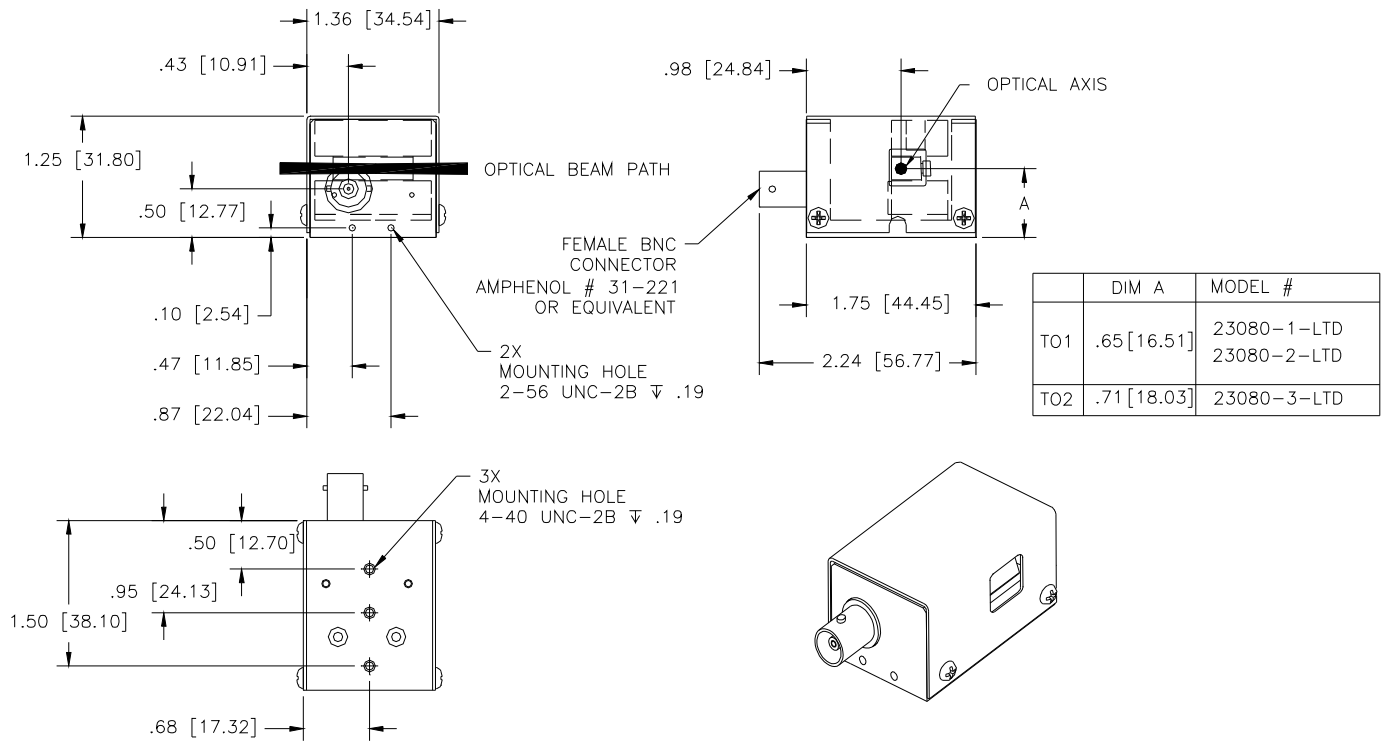
Analog System Voltage Controlled Oscillator: 21065-95-2ASVCO

Analog Module Voltage Controlled Oscillator: 21065-95-2AMVCO

For More Information, Contact: Sales@GoochandHousego.com www.goochandhousego.com

As part of our policy of continuous product improvement we reserve the right to change specifications at any time.

Mechanical Dimensions:
Dimensions in inches and [mm]



For More Information, Contact: Sales@GoochandHousego.com www.goochandhousego.com

As part of our policy of continuous product improvement we reserve the right to change specifications at any time.



Gooch & Housego

SPECIFICATION
MODEL NUMBER:

46080-3-LTD

DOCUMENT NUMBER: 56A17226C

<u>PARAMETER</u>	<u>SPECIFICATION</u>
Interaction Material	TeO ₂
Acoustic Mode	Longitudinal
Operating Wavelength	450-800 nm
Window Configuration	AR coated
Static Transmission	>95 %
Operating Frequency	60-100 MHz
Intensity Variation	< 2 dB
Diffraction Efficiency	>80 % midband with linear polarized light perpendicular to acoustic propagation or with random polarized light
Acoustic Aperture Size	3 mm
Rise Time	150 ns / mm beam dia.
Δ Deflection Angle	7.3 mrad @ 780 nm 4.5 mrad @ 488 nm
Deflection Angle	14.6 mrad @ 780 nm @ 80 MHz, 9.1 mrad @ 488 nm @ 80 MHz
RF Power Level	< 1.5 watt @ 780 nm
Impedance	50 ohms nominal
VSWR	<2:1 across bandwidth
Package	53B0624 TO2

Recommended Drivers:

Analog System Digital Frequency Synthesizer: 64020-200-2ADSDFS-A
Analog Module Digital Frequency Synthesizer: 64020-200-2ADMDFS-A

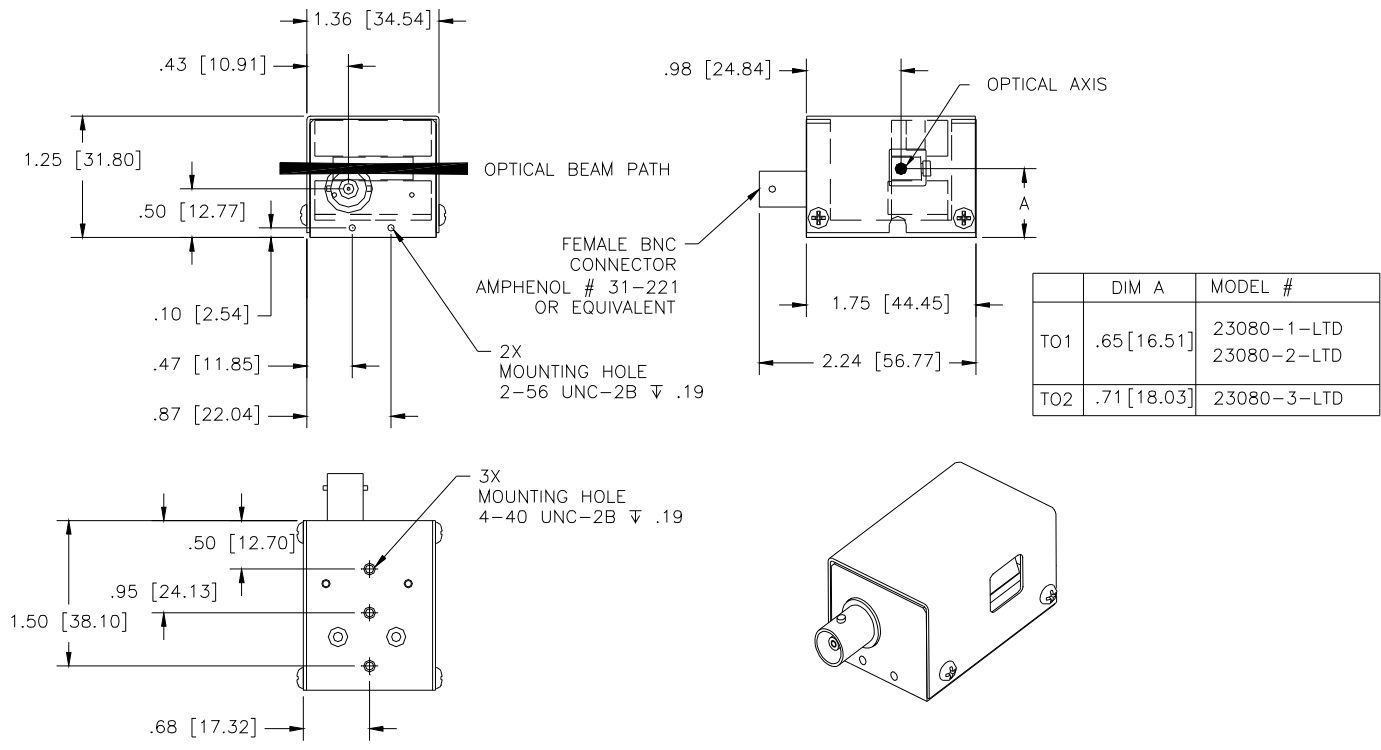
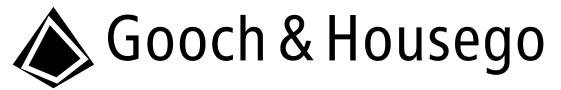
8 channel Digital Frequency Synthesizer Driver Module: 64048-80-.2-ADMDFS-8X1

Analog System Voltage Controlled Oscillator: 21060-100-2ASVCO
Analog Module Voltage Controlled Oscillator: 21060-100-2AMVCO

For More Information, Contact: Sales@GoochandHousego.com www.goochandhousego.com

As part of our policy of continuous product improvement we reserve the right to change specifications at any time.

Mechanical Dimensions:
Dimensions in inches and [mm]



For More Information, Contact: Sales@GoochandHousego.com www.goochandhousego.com

As part of our policy of continuous product improvement we reserve the right to change specifications at any time.



Gooch & Housego

DEVICE SPECIFICATIONS

MODEL NUMBER:

46080-3-.85-LTD

DOCUMENT NUMBER: 56A19129A

<u>PARAMETER</u>	<u>SPECIFICATION</u>
Interactive Material	TeO ₂
Acoustic Mode	Longitudinal
Operating Wavelength	700 to 1100 nm
Window Configuration	AR Coated
Static Transmission	> 95 %
Operating Frequency	70–90 MHz
Intensity Variation	< 1.5 dB @ 780 nm
Diffraction Efficiency (midband)	> 70 % midband with linear polarization, perpendicular to acoustic propagation, > 65 % midband with random polarization.
Acoustic Aperture Size	3 mm
Rise Time	150 nsec/mm beam dia.
Δ Deflection Angle	4 mrad @ 850 nm
Deflection Angle	16 mrad @ 80 MHz and 850 nm
RF Power Level	2 watts @ 850 nm
Impedance	50 ohms nominal
VSWR	< 1.5:1 over bandwidth
Package	53B00624 TO2

Recommended Drivers:

Analog System Digital Frequency Synthesizer: 64020-200-2ADSDFS-A

Analog Module Digital Frequency Synthesizer: 64020-200-2ADMDFS-A

8 channel Digital Frequency Synthesizer Driver Module: 64040-150-.2-ADMDFS-8X1

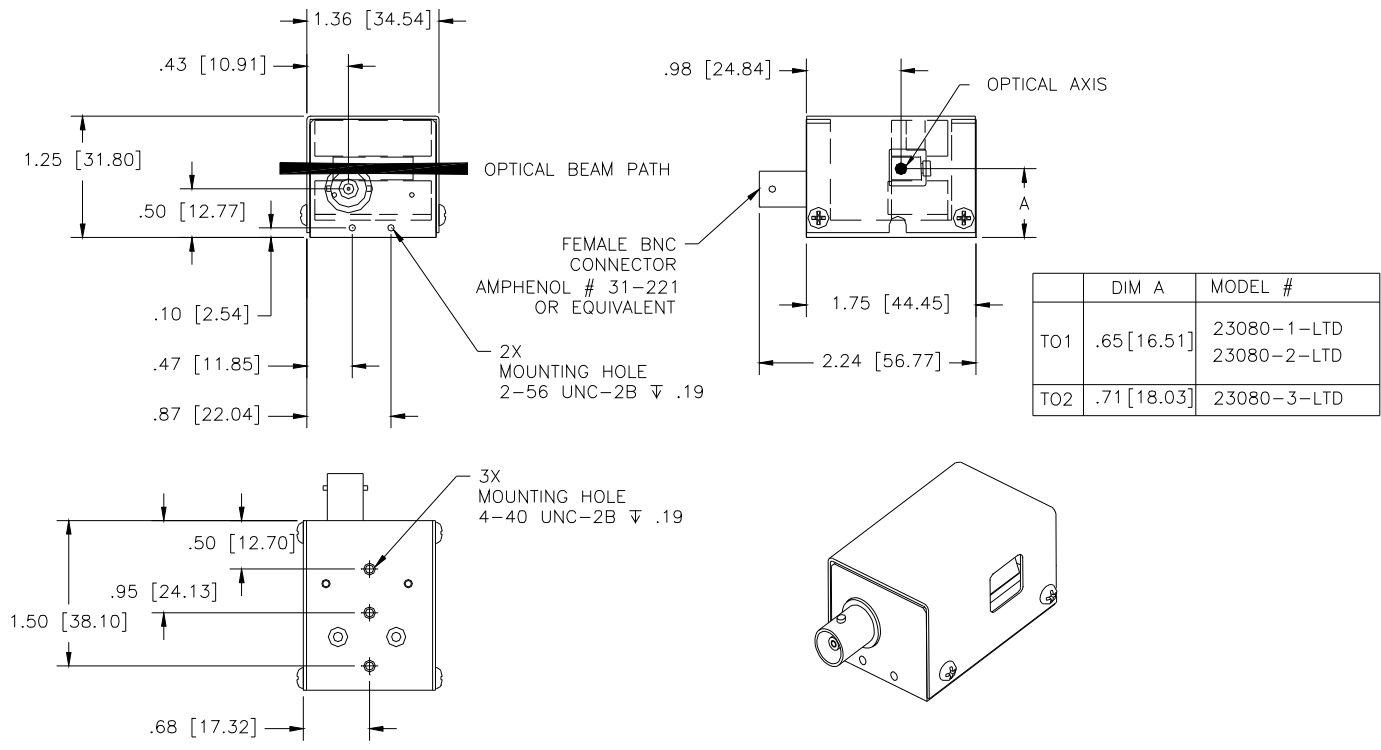
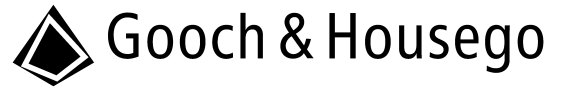
Analog System Voltage Controlled Oscillator: 21070-90-2ASVCO

Analog Module Voltage Controlled Oscillator: 21070-90-2AMVCO

For More Information, Contact: Sales@GoochandHousego.com www.goochandhousego.com

As part of our policy of continuous product improvement we reserve the right to change specifications at any time.

Mechanical Dimensions:
Dimensions in inches and [mm]



For More Information, Contact: Sales@GoochandHousego.com www.goochandhousego.com

As part of our policy of continuous product improvement we reserve the right to change specifications at any time.



Gooch & Housego

DEVICE SPECIFICATIONS

MODEL NUMBER:

46080-3-1.06-LTD

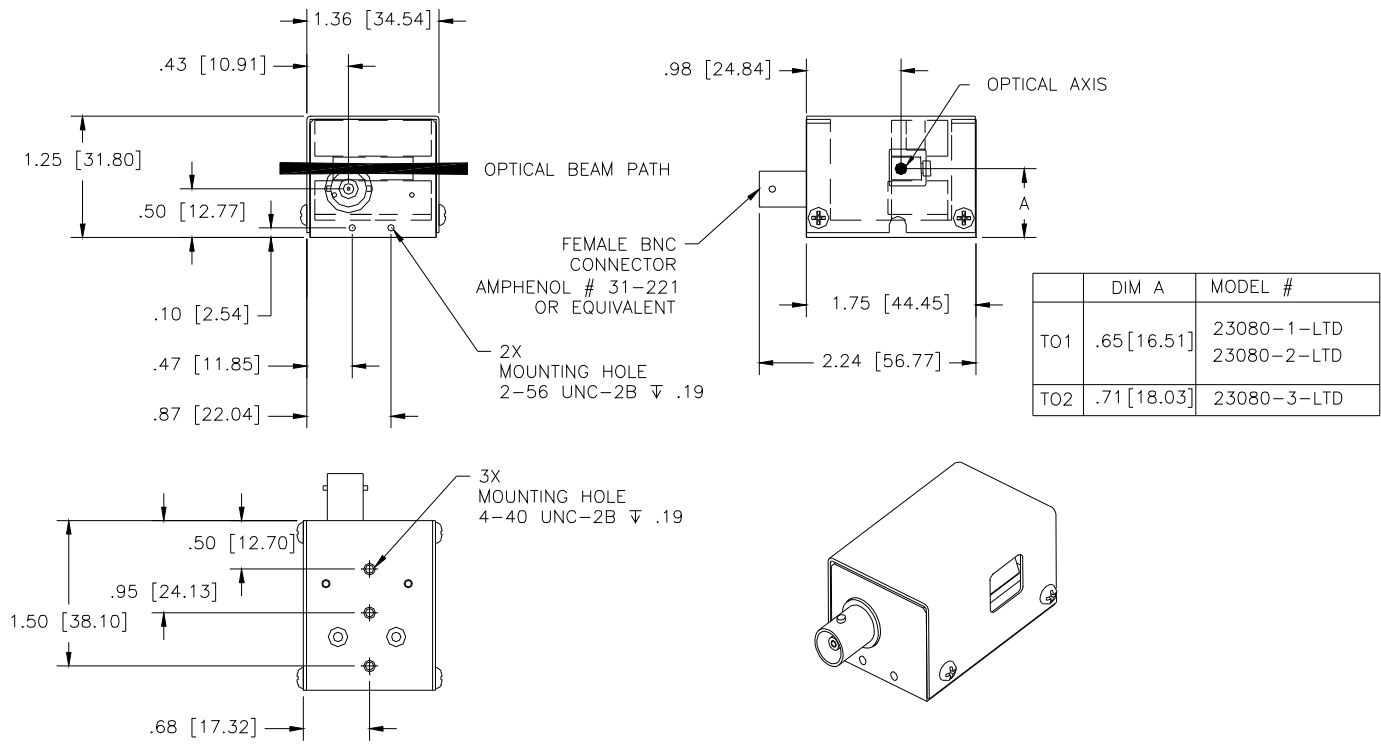
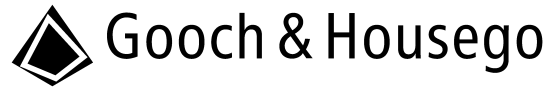
DOCUMENT NUMBER: 56A17947B

<u>PARAMETER</u>	<u>SPECIFICATION</u>
Interaction Material	TeO ₂
Acoustic Mode	Longitudinal
Operating Wavelength	1064 nm
Static Transmission	> 97 %
Window Configuration	AR coated
Operating Frequency	65-95 MHz
Intensity Variation	< 2.5 dB across bandwidth
Diffraction Efficiency (midband)	> 70 % midband with linear polarization, perpendicular to acoustic propagation, > 65 % midband with random polarization.
Acoustic Aperture Size	3 mm
Rise Time	150 ns/mm beam dia.
Δ Deflection Angle	7.5 mrad
Deflection Angle	20 mrad
RF Power Level	< 2 watts
Impedance	50 ohms nominal
VSWR	< 1.5:1 across bandwidth
Package	53B0624 TO2
Recommended Drivers:	
Analog System Digital Frequency Synthesizer:	64020-200-2ADSDFS-A
Analog Module Digital Frequency Synthesizer:	64020-200-2ADMDFS-A
8 Channel Digital Frequency Synthesizer Driver Module	64048-80-.8-ADMDFS-8X1
Analog System Voltage Controlled Oscillator:	21065-95-2ASVCO
Analog Module Voltage Controlled Oscillator:	21065-95-2AMVCO

For More Information, Contact: Sales@GoochandHousego.com www.goochandhousego.com

As part of our policy of continuous product improvement we reserve the right to change specifications at any time.

Mechanical Dimensions:
Dimensions in inches and [mm]



For More Information, Contact: Sales@GoochandHousego.com www.goochandhousego.com

As part of our policy of continuous product improvement we reserve the right to change specifications at any time.