



Gooch & Housego

DEVICE SPECIFICATIONS

MODEL NUMBER:

451500G

DOCUMENT NUMBER: 56A14327

<u>PARAMETER</u>	<u>SPECIFICATION</u>
Interactive Material	GaP
Acoustic Mode	Longitudinal
Operating Wavelength	820 nm
Window Configuration	AR Coated
Static Transmission	>95 %
Center Frequency	1500 MHz
Bandwidth	560 MHz
Diffraction Efficiency	5 % / Watt minimum with light polarized Linear parallel to acoustic propagation.
Acoustic Aperture Size	70 μ m X 1.33 mm
Process Time	0.2 μ s
Resolution (T.BW product)	112 spots
Δ Deflection Angle	69 mrad @ 820 nm
Deflection Angle	184 mrad @ 820 nm
RF Power Level	<100 mW ave, 1 watt peak @ 10 % duty < 1 ms pulse width.
Impedance	50 ohms
VSWR	< 3 :1
Package:	53B00504

For More Information, Contact: Sales@GoochandHousego.com www.goochandhousego.com

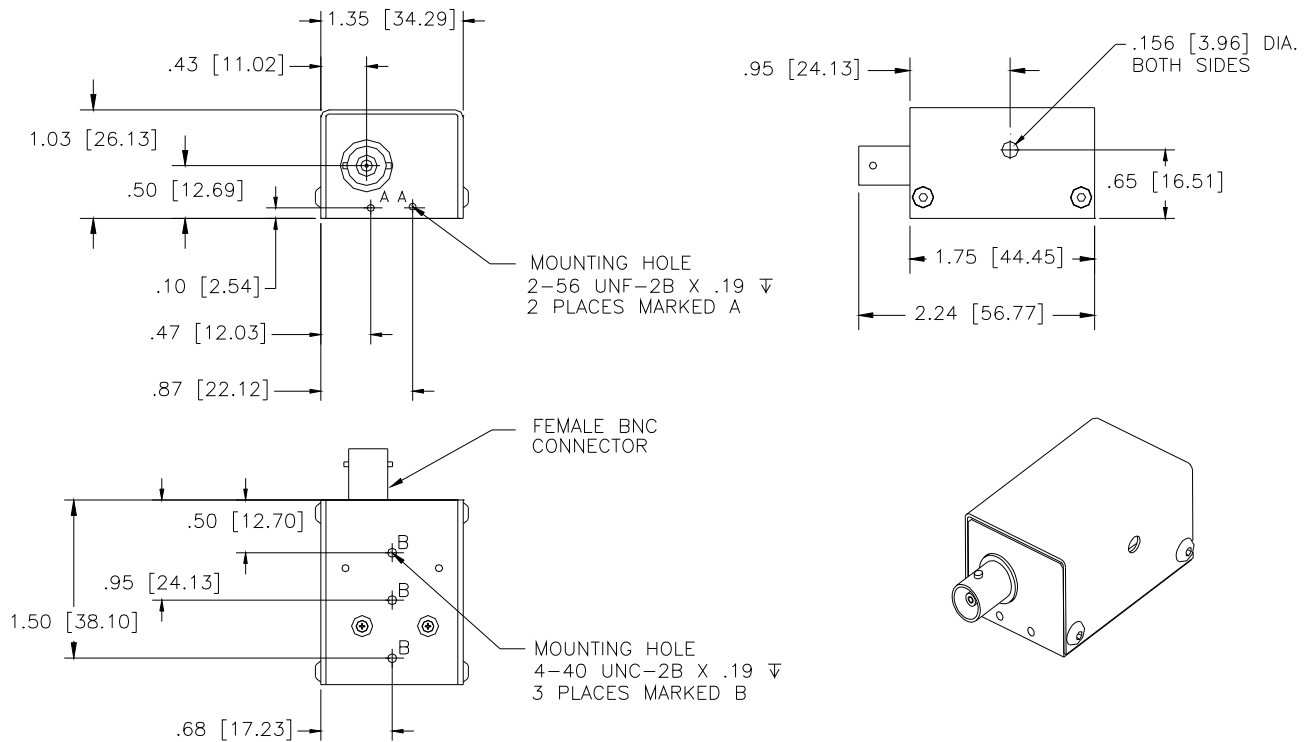
As part of our policy of continuous product improvement we reserve the right to change specifications at any time.



光技術をサポートする
株式会社オプトサイエンス
<http://www.optoscience.com>

東京本社 〒160-0014 東京都新宿区内藤町1番地 内藤町ビルディング
TEL:03(3356)1064 FAX:03(3356)3466 E-mail:info@optoscience.com
大阪支店 〒532-0011 大阪市淀川区西中島7-7-2 新大阪ビル西館
TEL:06(6305)2064 FAX:06(6305)1030 E-mail:osk@optoscience.com
名古屋営業所 〒450-0002 名古屋市中村区名駅2-37-21 東海ソフトビル
TEL:052(569)6064 FAX:052(569)8064 E-mail:ngo@optoscience.com

Mechanical Dimensions:
Dimensions in inches and [mm]



For More Information, Contact: Sales@GoochandHousego.com www.goochandhousego.com

As part of our policy of continuous product improvement we reserve the right to change specifications at any time.