



Gooch & Housego

DEVICE SPECIFICATIONS

MODEL NUMBER:

451000-GaP

DOCUMENT NUMBER: 56A06764B

<u>PARAMETER</u>	<u>SPECIFICATION</u>
Interaction Material	GaP
Acoustic Mode	Longitudinal
Operating Wavelength	800-850 nm
Window Configuration	AR coated
Static Transmission	80%
Operating Frequency	750-1250 MHz
Intensity Variation	3 dB
Diffraction Efficiency	5% per watt minimum midband with linear polarized light parallel to acoustic propagation
Acoustic Aperture Size	150 μ m x 2mm
Aperture Time	300 nsec
Optical Waist Height	80 μ m
Δ Deflection Angle	62 mrad @ 830 nm
Deflection Angle	124 mrad @ 830 nm
RF Power Level	<0.25 watts nominal. Can withstand 1 watt maximum
Impedance	50 ohms nominal
VSWR	<3:1 across bandwidth
Package	53B0504

For More Information, Contact: Sales@GoochandHousego.com www.goochandhousego.com

As part of our policy of continuous product improvement we reserve the right to change specifications at any time.



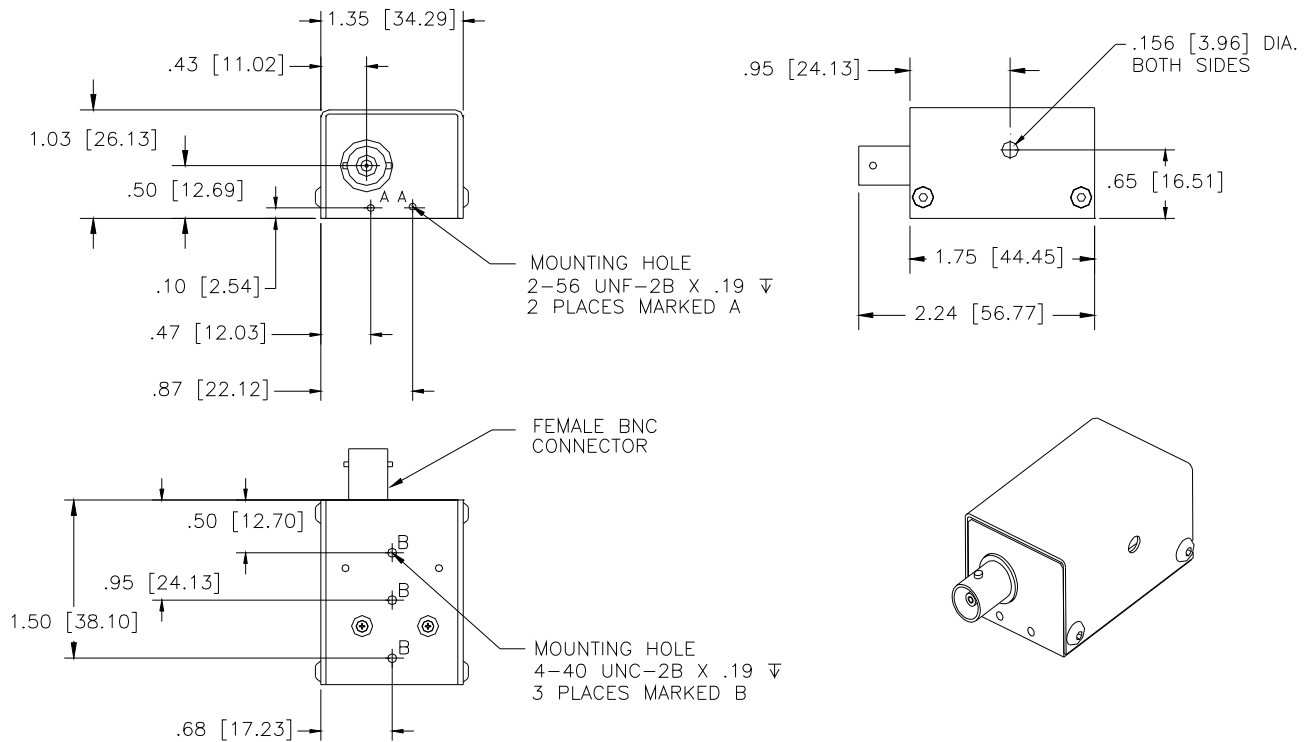
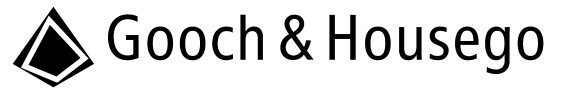
光技術をサポートする

株式会社オプトサイエンス

<http://www.optoscience.com>

東京本社 〒160-0014 東京都新宿区内藤町1番地 内藤町ビルディング
TEL: 03 (3356) 1064 FAX: 03 (3356) 3466 E-mail: info@optoscience.com
大阪支店 〒532-0011 大阪市淀川区西中島7-7-2 新大阪ビル西館
TEL: 06 (6305) 2064 FAX: 06 (6305) 1030 E-mail: osk@optoscience.com
名古屋営業所 〒450-0002 名古屋市中村区名駅2-37-21 東海ソフトビル
TEL: 052 (569) 6064 FAX: 052 (569) 8064 E-mail: ngo@optoscience.com

Mechanical Dimensions:
Dimensions in inches and [mm]



For More Information, Contact: Sales@GoochandHousego.com www.goochandhousego.com

As part of our policy of continuous product improvement we reserve the right to change specifications at any time.