



Gooch & Housego

DEVICE SPECIFICATIONS

MODEL NUMBER:

37027-3

DOCUMENT NUMBER: 56A14321A

<u>PARAMETER</u>	<u>SPECIFICATION</u>
Interactive Material	Ge
Acoustic Mode	Longitudinal
Operating Wavelength	10.6 μm
Optical Power Density	5 watt / mm^2 Max
Window Configuration	AR Coated
Static Transmission	85 %
Operating Frequency	27.12 MHz
Diffraction Efficiency	>85 %
Light Polarization	Linear, Parallel to acoustic propagation
Acoustic Aperture Size	3 mm
Rise Time	120 ns/mm beam diameter
Deflection Angle	52 mrad @ 10.6 μm
RF Power Level	30 watts
Impedance	50 ohms
VSWR	<1.2:1 @ 27.12 MHz
Package:	53B2220
Water Cooled @ 0.1Gallon / Minute With Water Temperature $\leq 30^{\circ}\text{C}$	
Operating Manual: Use Latest Revision.	51A06185
Acceptance Test Procedure:	42A14793
Acceptance Test Results form:	52A06183
Recommended Driver:	39027-30DSA05

For More Information, Contact: Sales@GoochandHousego.com www.goochandhousego.com

As part of our policy of continuous product improvement we reserve the right to change specifications at any time.



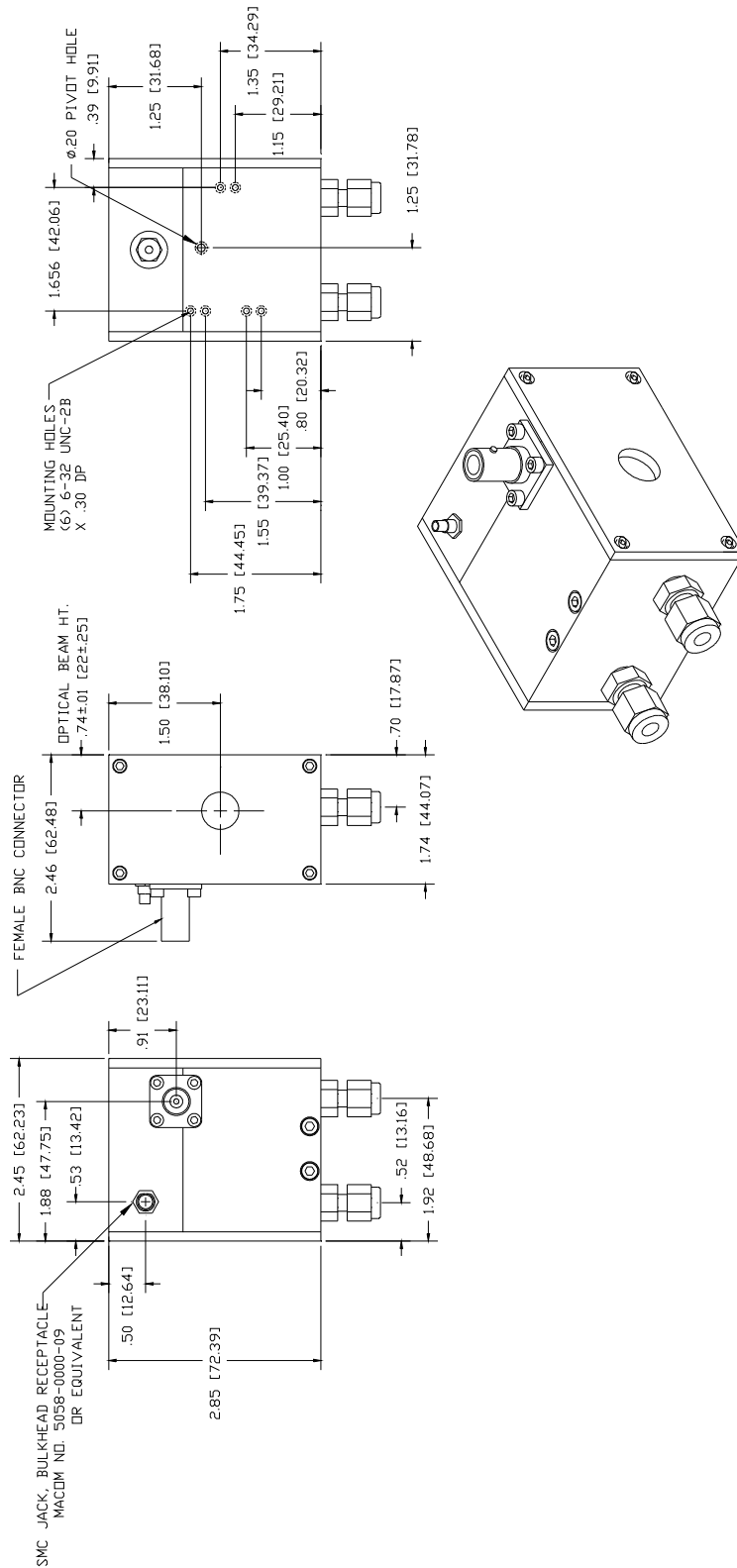
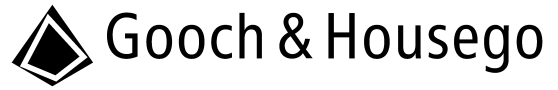
光技術をサポートする

株式会社オプトサイエンス

<http://www.optoscience.com>

東京本社 〒160-0014 東京都新宿区内藤町1番地 内藤町ビルディング
TEL:03(3356)1064 FAX:03(3356)3466 E-mail:info@optoscience.com
大阪支店 〒532-0011 大阪市淀川区西中島7-7-2 新大阪ビル西館
TEL:06(6305)2064 FAX:06(6305)1030 E-mail:osk@optoscience.com
名古屋営業所 〒450-0002 名古屋市中村区名駅2-37-21 東海ソフトビル
TEL:052(569)6064 FAX:052(569)8064 E-mail:ngo@optoscience.com

Mechanical Dimensions:
Dimensions in inches and [mm]



For More Information, Contact: Sales@GoochandHousego.com www.goochandhousego.com

As part of our policy of continuous product improvement we reserve the right to change specifications at any time.



Gooch & Housego

DEVICE SPECIFICATIONS

MODEL NUMBER:

37027-5

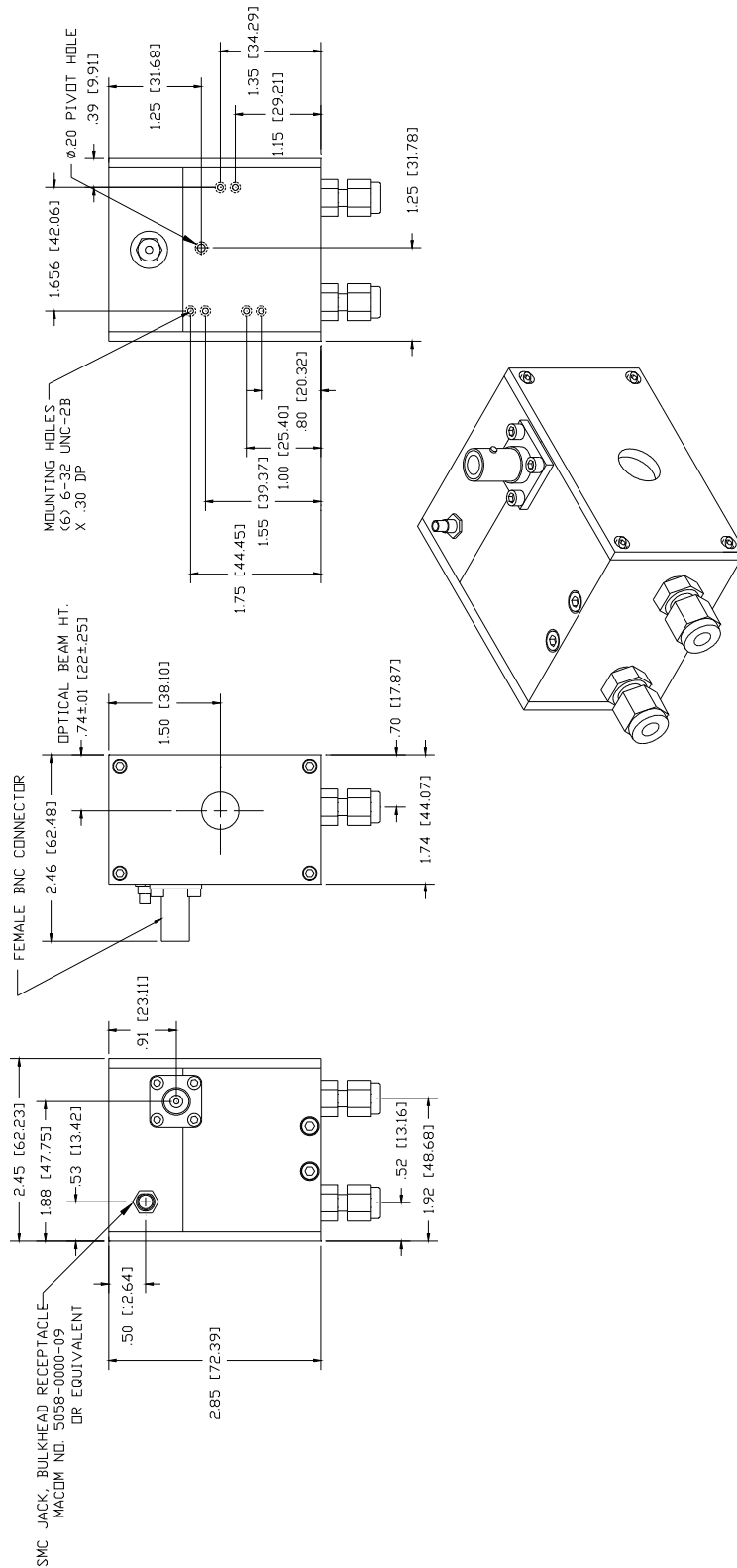
DOCUMENT NUMBER: 56A14322A

<u>PARAMETER</u>	<u>SPECIFICATION</u>
Interactive Material	Ge
Acoustic Mode	Longitudinal
Operating Wavelength	10.6 μm
Optical Power Density	5 Watt / mm^2 Max
Window Configuration	AR Coated
Static Transmission	>85 %
Operating Frequency	27.12 MHz
Diffraction Efficiency	>75 %
Light Polarization	Linear, parallel to acoustic propagation
Acoustic Aperture Size	5mm
Rise Time	120 ns/mm beam diameter
Deflection Angle	52 mrad @ 10.6 μm
RF Power Level	30 watts
Impedance	50 ohms
VSWR	<1.2:1 @ 27.12 MHz
Package:	53B2220
Water Cooled @ 0.1Gallon / Minute With Water Temperature $\leq 30^{\circ}\text{C}$	
Operating Manual: Use Latest Revision.	51A14002
Acceptance Test Procedure:	42A14794
Acceptance Test Results form:	52A00706
Recommended Driver:	39027-35-DSA05

For More Information, Contact: Sales@GoochandHousego.com www.goochandhousego.com

As part of our policy of continuous product improvement we reserve the right to change specifications at any time.

Mechanical Dimensions:
Dimensions in inches and [mm]



For More Information, Contact: Sales@GoochandHousego.com www.goochandhousego.com

As part of our policy of continuous product improvement we reserve the right to change specifications at any time.