



Gooch & Housego

DEVICE SPECIFICATIONS

MODEL NUMBER:

35210-BR

DOCUMENT NUMBER: 56A15506A

<u>PARAMETER</u>	<u>SPECIFICATION</u>
Interactive Material	Fused Silica
Acoustic Mode	Longitudinal
Operating Wavelength	300 to 700 nm
Window Configuration	Brewster
Static Transmission	98 % @ 488 nm
Operating Frequency	210 MHz
Diffraction Efficiency	>70 % @ 488 nm
Light Polarization	Linear, Perpendicular to acoustic propagation
Acoustic Aperture Size (in air)	0.13 mm
Rise Time	<15 ns
Optical Waist Size to achieve Rise Time	0.1 mm
Deflection Angle	17 mrad @ 488 nm
RF Power Level	6 watts
Impedance	50 ohms
VSWR	<1.5:1 @ 210 MHz
Package:	53B3408
Operating Manual: Use Latest Revision.	51A16076
Acceptance Test Procedure:	42A14792
Acceptance Test Results form:	52A01409
Recommended Driver:	
Analog System Driver: 31210-6AS	Digital System Driver: 31210-6DS
Analog Module Driver: 31210-6AM	Digital Module Driver: 31210-6DM

For More Information, Contact: Sales@GoochandHousego.com www.goochandhousego.com

As part of our policy of continuous product improvement we reserve the right to change specifications at any time.



光技術をサポートする

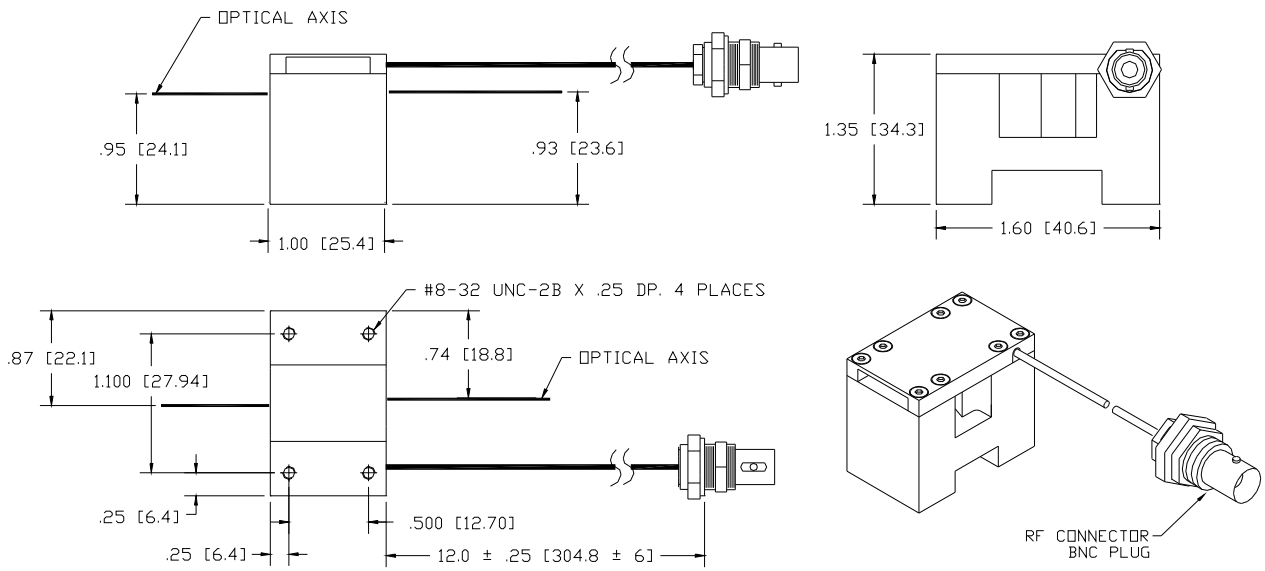
株式会社オプトサイエンス

<http://www.optoscience.com>

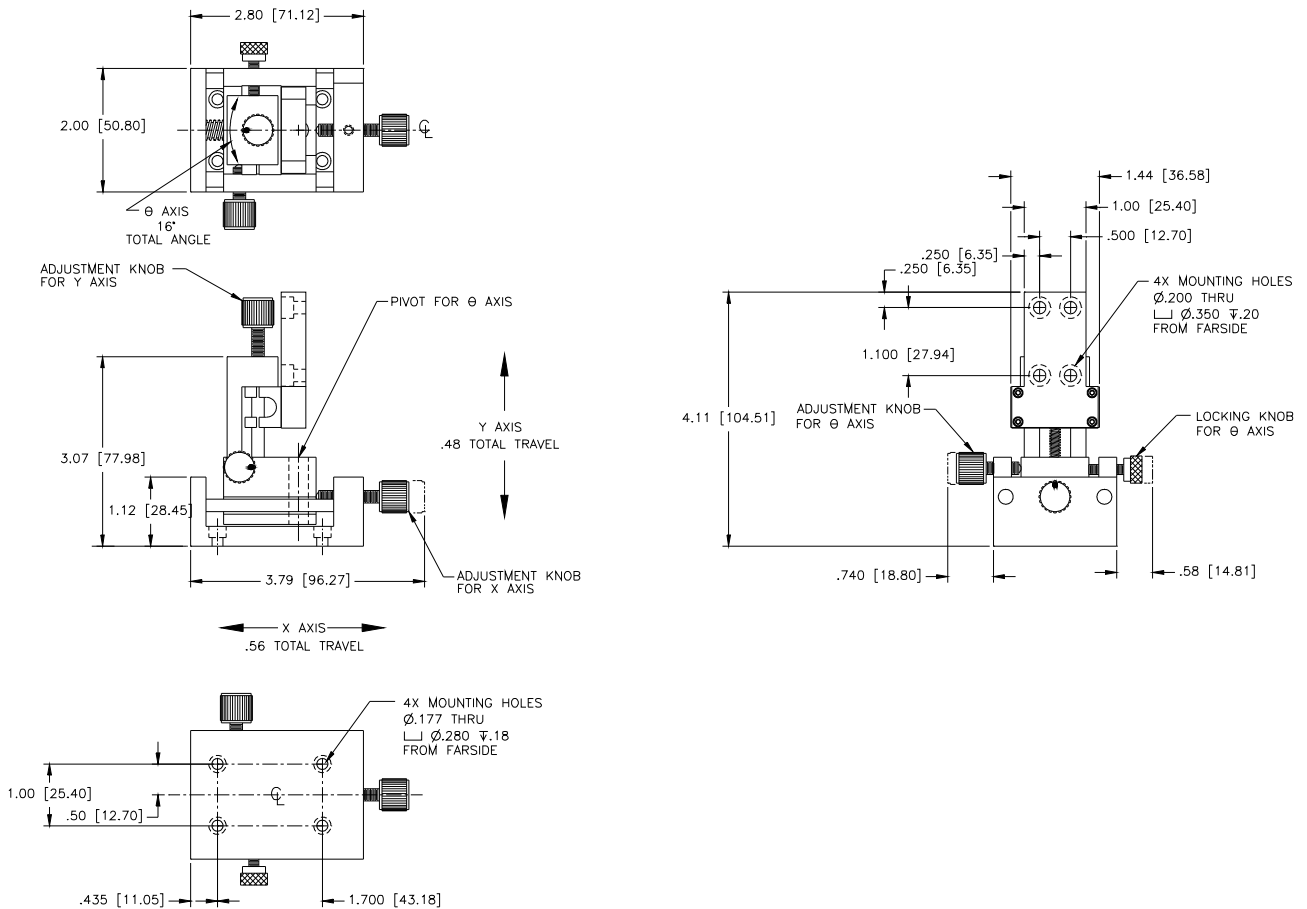
東京本社 〒160-0014 東京都新宿区内藤町1番地 内藤町ビルディング
TEL:03(3356)1064 FAX:03(3356)3466 E-mail:info@optoscience.com
大阪支店 〒532-0011 大阪市淀川区西中島7-7-2 新大阪ビル西館
TEL:06(6305)2064 FAX:06(6305)1030 E-mail:osk@optoscience.com
名古屋営業所 〒450-0002 名古屋市中村区名駅2-37-21 東海ソフトビル
TEL:052(569)6064 FAX:052(569)8064 E-mail:ngo@optoscience.com

Mechanical Dimensions:

Dimensions in inches and [mm]



Optional 71006 Mount



For More Information, Contact: Sales@GoochandHousego.com www.goochandhousego.com

As part of our policy of continuous product improvement we reserve the right to change specifications at any time.



Gooch & Housego

DEVICE SPECIFICATIONS

MODEL NUMBER:

35210-BR / 71004

DOCUMENT NUMBER: 56A14320C

<u>PARAMETER</u>	<u>SPECIFICATION</u>
Interactive Material	Fused Silica
Acoustic Mode	Longitudinal
Operating Wavelength	300 to 700 nm
Window Configuration	Brewster
Static Transmission	>99 % @ 488 nm
Operating Frequency	210 MHz
Diffraction Efficiency	>70 % @ 488 nm
Light Polarization	Linear, Perpendicular to acoustic propagation
Acoustic Aperture Size (in air)	0.13 mm
Rise Time	<15 ns
Optical Waist Size to achieve Rise Time	0.1 mm
Deflection Angle	17 mrad @488 nm
RF Power Level	6 watts
Impedance	50 ohms
VSWR	<1.5:1 @ 210 MHz
Package Assembly: Mount, Optics and Modulator:	53D1165
Package:	53B3408
Operating Manual: Use Latest Revision.	51A07492
Acceptance Test Procedure:	42A14792
Acceptance Test Results form:	52A01409
Recommended Driver:	
Analog System Driver: 31210-6AS	Digital System Driver: 31210-6DS
Analog Module Driver: 31210-6AM	Digital Module Driver: 31210-6DM

For More Information, Contact: Sales@GoochandHousego.com www.goochandhousego.com

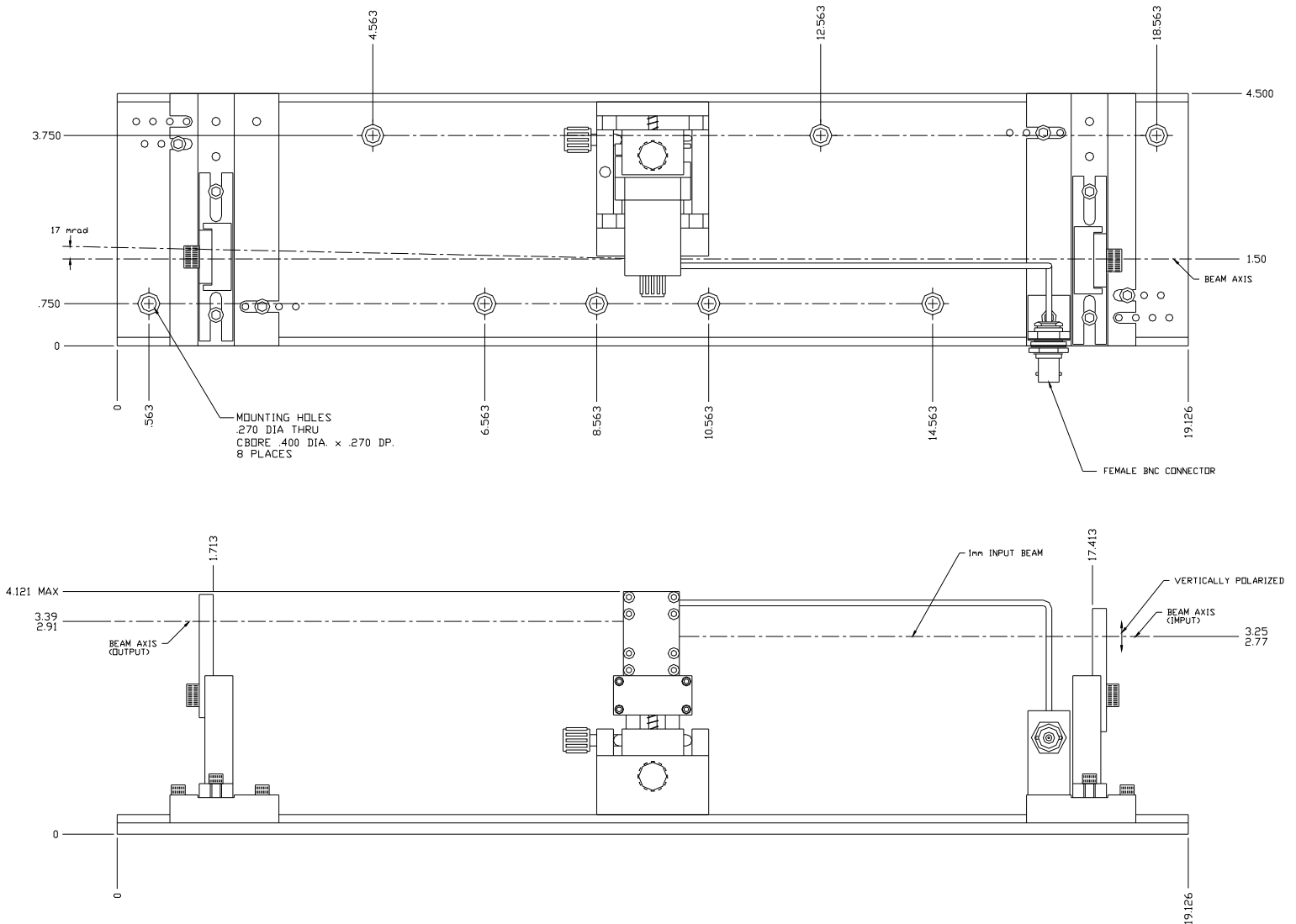
As part of our policy of continuous product improvement we reserve the right to change specifications at any time.

Mechanical Dimensions:
Dimensions in inches and [mm]



53D1165

35210-BR / 71004



For More Information, Contact: Sales@GoochandHousego.com www.goochandhousego.com

As part of our policy of continuous product improvement we reserve the right to change specifications at any time.