



Gooch & Housego

SPECIFICATIONS

MODEL NUMBER:

26055-1-1.55-LTD

DOCUMENT NUMBER: 56A15738C

<u>PARAMETER</u>	<u>SPECIFICATION</u>
Interactive Material	AMTIR
Acoustic Mode	Longitudinal
Operating Wavelength	1064 - 2100 nm*
Window Configuration	AR Coated
Static Transmission	>95 % @ 1064 nm * >97% @ 1550 nm >90% @ 2100 nm *
Operating Frequency	55.00 MHz
Diffraction Efficiency	>85 % @ 1064 nm >85 % @ 1550 nm >55 % @ 2100 nm
Light Polarization	Random
Optical Power Density:	<50 KW/cm ²
Acoustic Aperture Size	1 mm
Rise Time	260 ns / mm Beam Diameter
Deflection Angle	23.3 mrad @ 1064 nm 32.4 mrad @ 1550 nm 46.0 mrad @ 2100 nm
RF Power Level	<1 watt
Impedance	50 ohms
VSWR	1.2:1 @ 55.00 MHz
Package:	53B0624 TO1
Operational Manual	
Acceptance Test Procedure:	42A12285
Acceptance Test Results form:	52A02488
Recommended Drivers:	
Analog Driver System: 21055-1AS	Digital Driver System: 21055-1DS
Analog Driver Module: 21055-1AM	Digital Driver Module: 21055-1DM

* Can be custom ordered "V" coated for wavelengths between 1064 nm and 2100 nm to improve the transmission to be > 97%. Standard coated for 1.55 nm.

For More Information, Contact: Sales@GoochandHousego.com www.goochandhousego.com

As part of our policy of continuous product improvement we reserve the right to change specifications at any time.



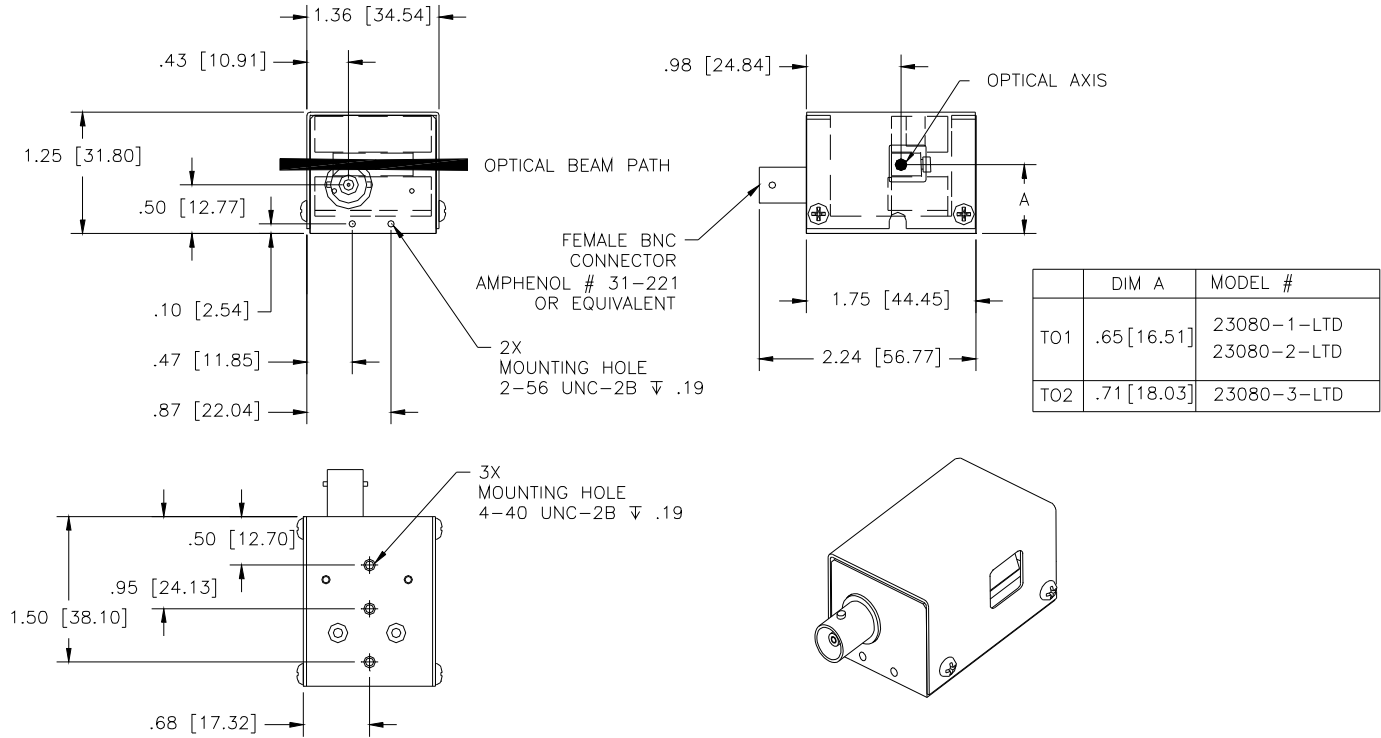
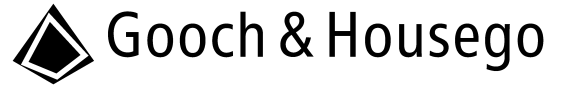
光技術をサポートする

株式会社オプトサイエンス

<http://www.optoscience.com>

東京本社 〒160-0014 東京都新宿区内藤町1番地 内藤町ビルディング
TEL: 03 (3356) 1064 FAX: 03 (3356) 3466 E-mail: info@optoscience.com
大阪支店 〒532-0011 大阪市淀川区西中島7-7-2 新大阪ビル西館
TEL: 06 (6305) 2064 FAX: 06 (6305) 1030 E-mail: osk@optoscience.com
名古屋営業所 〒450-0002 名古屋市中村区名駅2-37-21 東海ソフトビル
TEL: 052 (569) 6064 FAX: 052 (569) 8064 E-mail: ngo@optoscience.com

Mechanical Dimensions:
Dimensions in inches and [mm]



For More Information, Contact: Sales@GoochandHousego.com www.goochandhousego.com

As part of our policy of continuous product improvement we reserve the right to change specifications at any time.