



Gooch & Housego

DEVICE SPECIFICATIONS

MODEL NUMBER:

23110-.5

DOCUMENT NUMBER: 56A02333E

<u>PARAMETER</u>	<u>SPECIFICATION</u>
Interactive Material	TeO ₂
Acoustic Mode	Longitudinal
Operating Wavelength	440 –850 nm
Window Configuration	AR Coated
Static Transmission	>95 %
Operating Frequency	110 MHz
Diffraction Efficiency	>90 % @ 633 nm With Linear Polarization Perpendicular to Acoustic Propagation. or With Random Polarization.
Acoustic Aperture Size	0.5 mm
Rise Time	150 ns / mm beam diameter.
Deflection Angle	16.3 mrad @ 633 nm
RF Power Level	1 watt
Impedance	50 ohms
VSWR	<1.2:1 @ 110 MHz
Package:	53B00504
Operating Manual: Use Latest Revision.	51A01512
Acceptance Test Procedure:	42A12059
Acceptance Test Results form:	52A01513
Recommended Drivers:	
Analog Driver System: 21110-1AS	Digital Driver System: 21110-1DS
Analog Driver Module: 21110-1AM	Digital Driver Module: 21110-1DM

For More Information, Contact: Sales@GoochandHousego.com www.goochandhousego.com

As part of our policy of continuous product improvement we reserve the right to change specifications at any time.



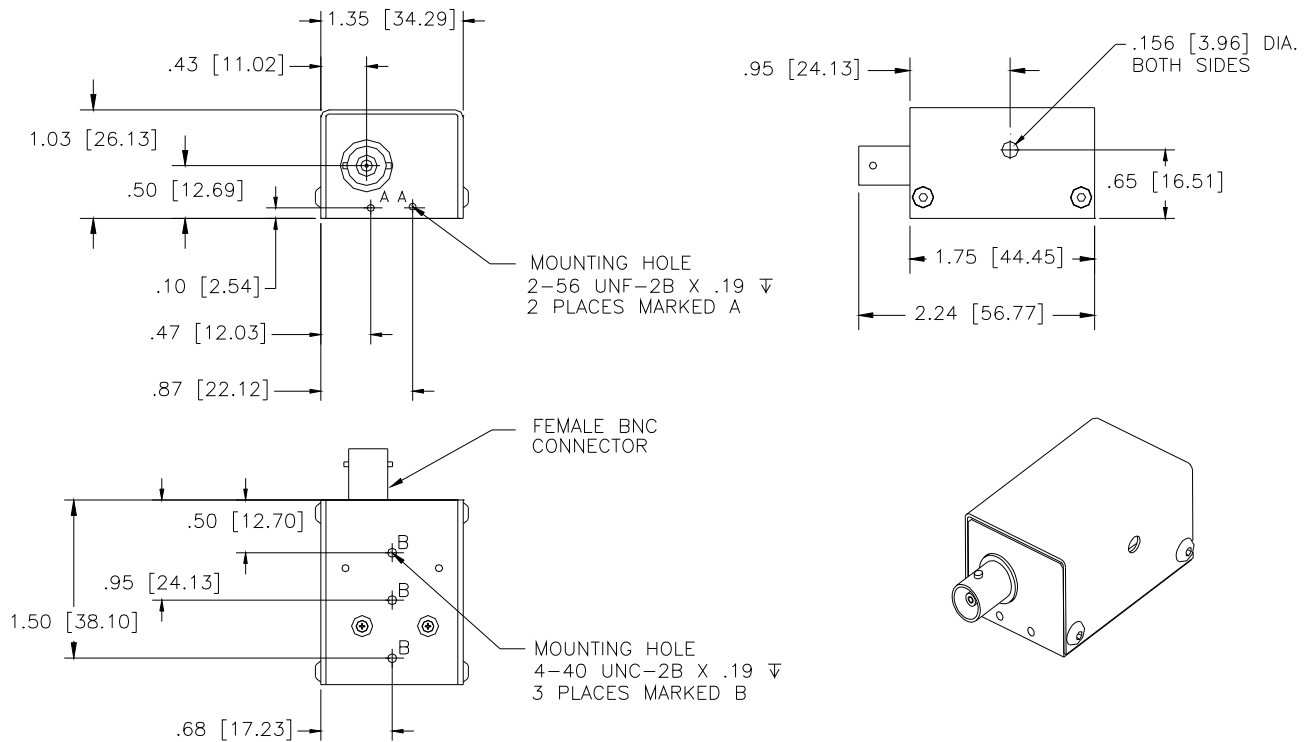
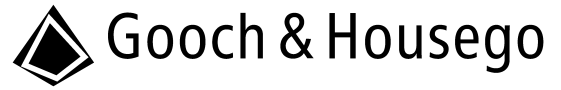
光技術をサポートする

株式会社オプトサイエンス

<http://www.optoscience.com>

東京本社 〒160-0014 東京都新宿区内藤町1番地 内藤町ビルディング
TEL:03(3356)1064 FAX:03(3356)3466 E-mail:info@optoscience.com
大阪支店 〒532-0011 大阪市淀川区西中島7-7-2 新大阪ビル西館
TEL:06(6305)2064 FAX:06(6305)1030 E-mail:osk@optoscience.com
名古屋営業所 〒450-0002 名古屋市中村区名駅2-37-21 東海ソフトビル
TEL:052(569)6064 FAX:052(569)8064 E-mail:ngo@optoscience.com

Mechanical Dimensions:
Dimensions in inches and [mm]



For More Information, Contact: Sales@GoochandHousego.com www.goochandhousego.com

As part of our policy of continuous product improvement we reserve the right to change specifications at any time.