



Gooch & Housego

DEVICE SPECIFICATIONS

MODEL NUMBER:

23080-3-LTD

DOCUMENT NUMBER: 56A12683D

<u>PARAMETER</u>	<u>SPECIFICATION</u>
Interactive Material	TeO ₂
Acoustic Mode	Longitudinal
Operating Wavelength	440 – 850 nm
Window Configuration	AR Coated
Static Transmission	>95 %
Operating Frequency	80 MHz
Diffraction Efficiency	>85 % @ 633 nm
Light Polarization	Linear Polarization, Perpendicular to Acoustic Propagation or Random
Acoustic Aperture Size	3 mm
Rise Time	150 ns/mm Beam Diameter
Deflection Angle	11.89 mrad @ 633nm
RF Power Level	< 1.2 watts
Impedance	50 ohms
VSWR	< 1.2:1 @ 80 MHz
Package:	53B0624 TO2
Operating Manual: Use latest Revision.	51A00620
Acceptance Test Procedure:	42A12054
Acceptance Test Results form:	52A11825
Recommended Drivers:	
Analog Driver System: 21080-1.2AS	Digital Driver System: 21080-1.2DS
Analog Driver Module: 21080-1.2AM	Digital Driver Module: 21080-1.2DM

For More Information, Contact: Sales@GoochandHousego.com www.goochandhousego.com

As part of our policy of continuous product improvement we reserve the right to change specifications at any time.



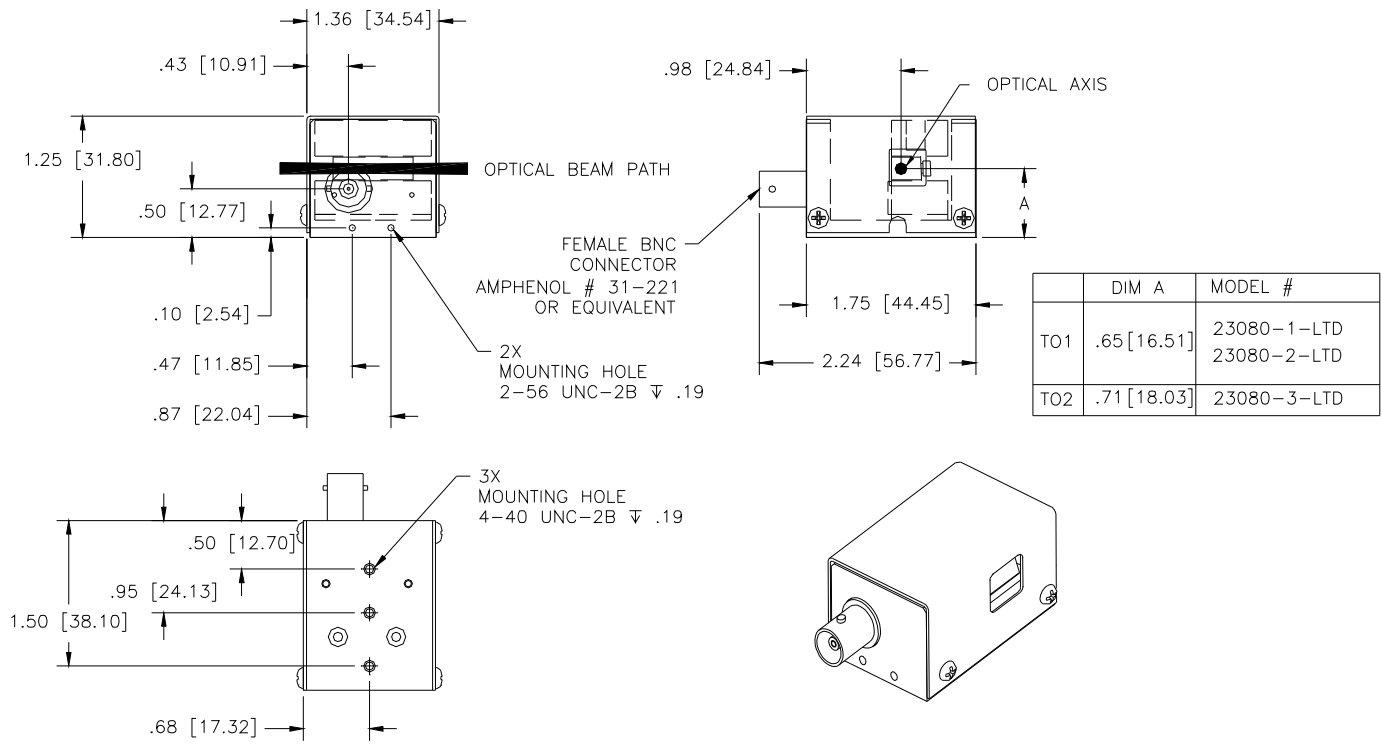
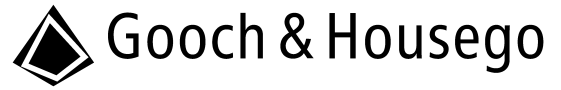
光技術をサポートする

株式会社オプトサイエンス

<http://www.optoscience.com>

東京本社 〒160-0014 東京都新宿区内藤町1番地 内藤町ビルディング
TEL: 03 (3356) 1064 FAX: 03 (3356) 3466 E-mail: info@optoscience.com
大阪支店 〒532-0011 大阪市淀川区西中島7-7-2 新大阪ビル西館
TEL: 06 (6305) 2064 FAX: 06 (6305) 1030 E-mail: osk@optoscience.com
名古屋営業所 〒450-0002 名古屋市中村区名駅2-37-21 東海ソフトビル
TEL: 052 (569) 6064 FAX: 052 (569) 8064 E-mail: ngo@optoscience.com

Mechanical Dimensions:
Dimensions in inches and [mm]



For More Information, Contact: Sales@GoochandHousego.com www.goochandhousego.com

As part of our policy of continuous product improvement we reserve the right to change specifications at any time.



Gooch & Housego

DEVICE SPECIFICATIONS

MODEL NUMBER:

23080-3-.85-LTD

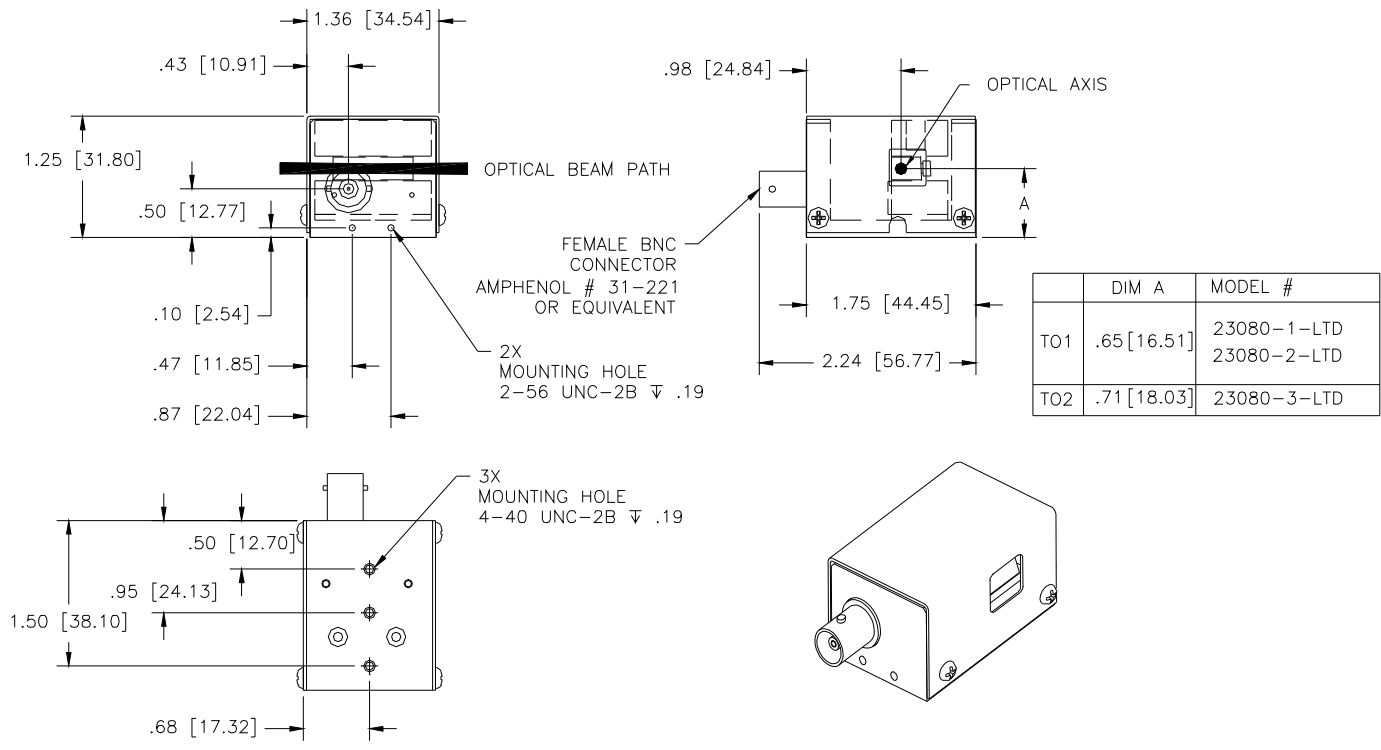
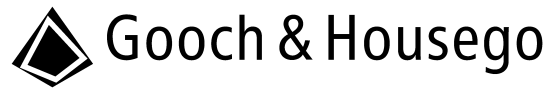
DOCUMENT NUMBER: **56A14234B**

<u>PARAMETER</u>	<u>SPECIFICATION</u>
Interaction Material	TeO ₂
Acoustic Mode	Longitudinal
Operating Wavelength	700-1000 nm
Window Configuration	AR coated
Static Transmission	>97 %
Operating Frequency	80 MHz
Diffraction Efficiency	>70 % With Linear Polarization, Perpendicular to Acoustic Propagation. >65 % With Random Polarization.
Acoustic Aperture Size	3 mm
Rise Time	150 nsec / mm beam dia.
Deflection Angle	16 mrad @ 850 nm
RF Power Level	2 watts
Impedance	50 ohms nominal
VSWR	<1.2: 1 @ 80 MHz
Package	53B00624 TO 2
Operating Manual: Use Latest Revision.	51A18999
Recommended Drivers:	
Analog Driver System: 21080-2AS	Digital Driver System: 21080-2DS
Analog Driver Module: 21080-2AM	Digital Driver Module: 21080-2DM

For More Information, Contact: Sales@GoochandHousego.com www.goochandhousego.com

As part of our policy of continuous product improvement we reserve the right to change specifications at any time.

Mechanical Dimensions:
Dimensions in inches and [mm]



For More Information, Contact: Sales@GoochandHousego.com www.goochandhousego.com

As part of our policy of continuous product improvement we reserve the right to change specifications at any time.



Gooch & Housego

DEVICE SPECIFICATIONS

MODEL NUMBER:

23080-3-1.06-LTD

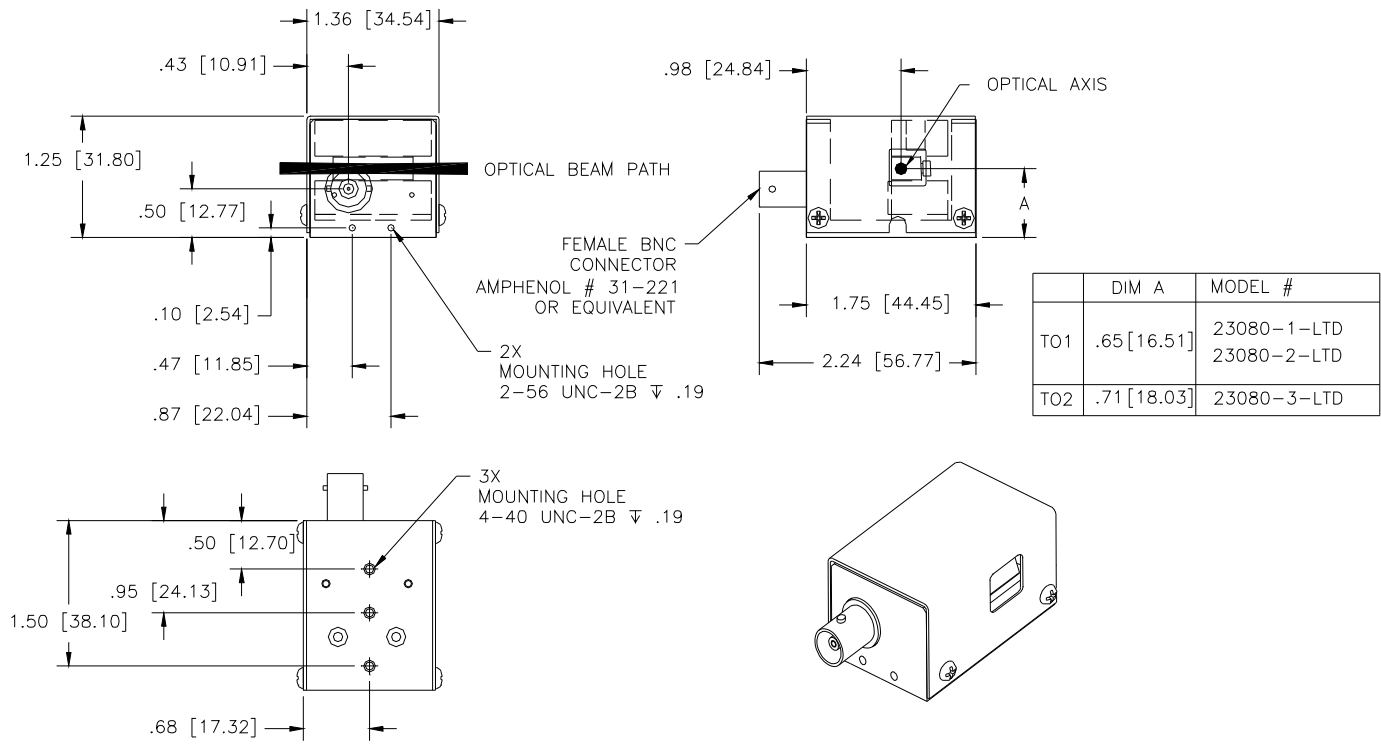
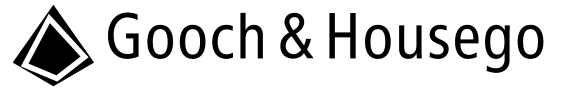
DOCUMENT NUMBER: 56A00693E

<u>PARAMETER</u>	<u>SPECIFICATION</u>
Interactive Material	TeO ₂
Acoustic Mode	Longitudinal
Operating Wavelength	1064nm
Window Configuration	AR Coated
Static Transmission	>97 %
Operating Frequency	80 MHz
Diffraction Efficiency	>70 % With Linear Polarization, Perpendicular to Acoustic Propagation. >65 % With Random Polarization.
Acoustic Aperture Size	3 mm
Rise Time	150 ns/mm Beam Diameter
Deflection Angle	20 mrad
RF Power Level	<2 watts
Impedance	50 ohms
VSWR	<1.2:1 @ 80 MHz
Package:	53B0624 TO2
Operating Manual: Use Latest Revision.	51A14950
Acceptance Test Procedure:	42A12053
Acceptance Test Results form:	52A11828
Recommended Drivers:	
Analog Driver System: 21080-2AS	Digital Driver System: 21080-2DS
Analog Driver Module: 21080-2AM	Digital Driver Module: 21080-2DM

For More Information, Contact: Sales@GoochandHousego.com www.goochandhousego.com

As part of our policy of continuous product improvement we reserve the right to change specifications at any time.

Mechanical Dimensions:
Dimensions in inches and [mm]



For More Information, Contact: Sales@GoochandHousego.com www.goochandhousego.com

As part of our policy of continuous product improvement we reserve the right to change specifications at any time.



Gooch & Housego

DEVICE SPECIFICATIONS

MODEL NUMBER:

23080-3-1.3-LTD

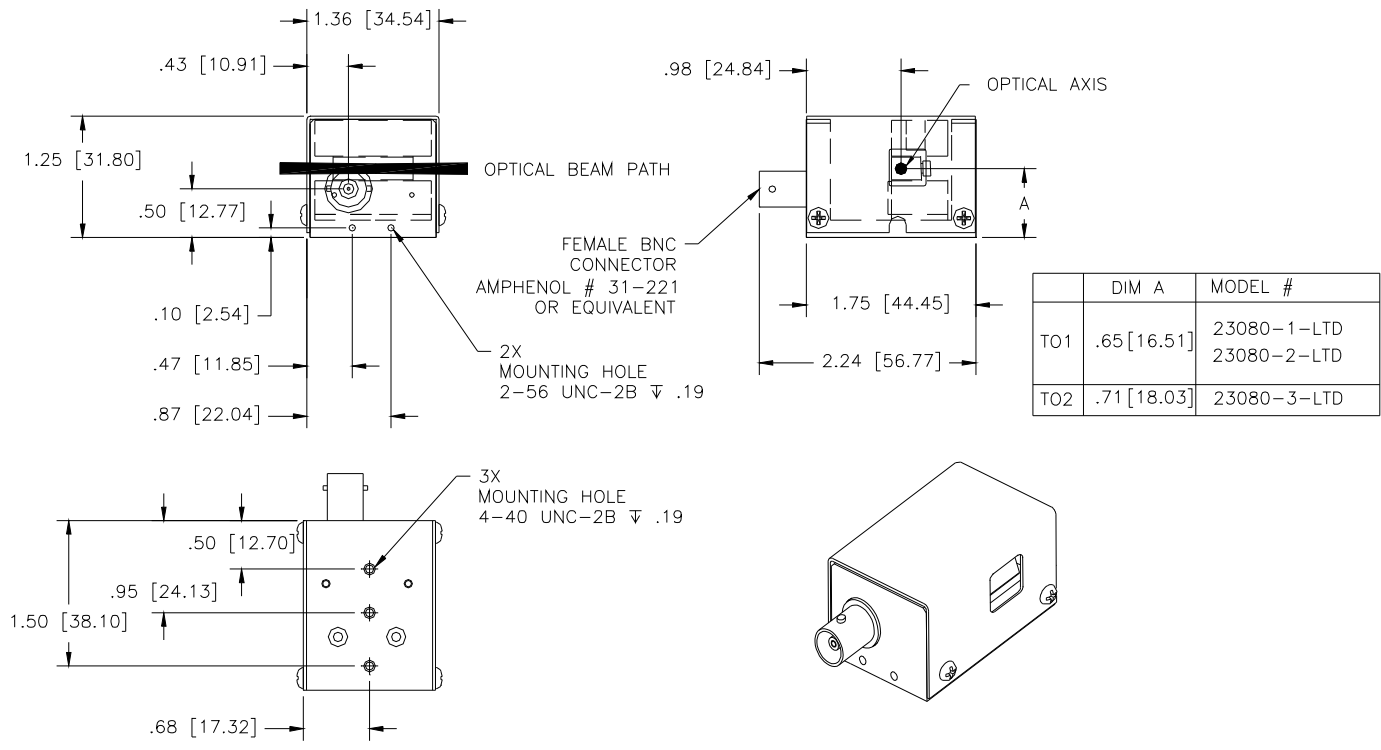
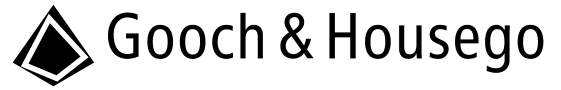
DOCUMENT NUMBER: 56A15007A

<u>PARAMETER</u>	<u>SPECIFICATION</u>
Interactive Material	TeO ₂
Acoustic Mode	Longitudinal
Operating Wavelength	1300 nm
Window Configuration	AR Coated
Static Transmission	>97 %
Operating Frequency	80 MHz
Diffraction Efficiency	>75 % With Linear Polarization, Perpendicular to Acoustic Propagation >70 % With Random Polarization
Acoustic Aperture Size	3 mm
Rise Time	150 ns/mm Beam Diameter
Deflection Angle	24.4 mrad
RF Power Level	< 4 watts
Impedance	50 ohms
VSWR	<1.2:1 @ 80 MHz
Package:	53B0624 TO2
Operating Manual: Use latest Revision.	51A14950
Acceptance Test Procedure:	42A12057
Acceptance Test Results form:	52A11826
Recommended Drivers:	
Analog Driver System: 31080-4AS	Digital Driver System: 31080-4DS
Analog Driver Module: 31080-4AM	Digital Driver Module: 31080-4DM

For More Information, Contact: Sales@GoochandHousego.com www.goochandhousego.com

As part of our policy of continuous product improvement we reserve the right to change specifications at any time.

Mechanical Dimensions:
Dimensions in inches and [mm]



For More Information, Contact: Sales@GoochandHousego.com www.goochandhousego.com

As part of our policy of continuous product improvement we reserve the right to change specifications at any time.



Gooch & Housego

DEVICE SPECIFICATIONS

MODEL NUMBER:

23080-3-1.55-LTD

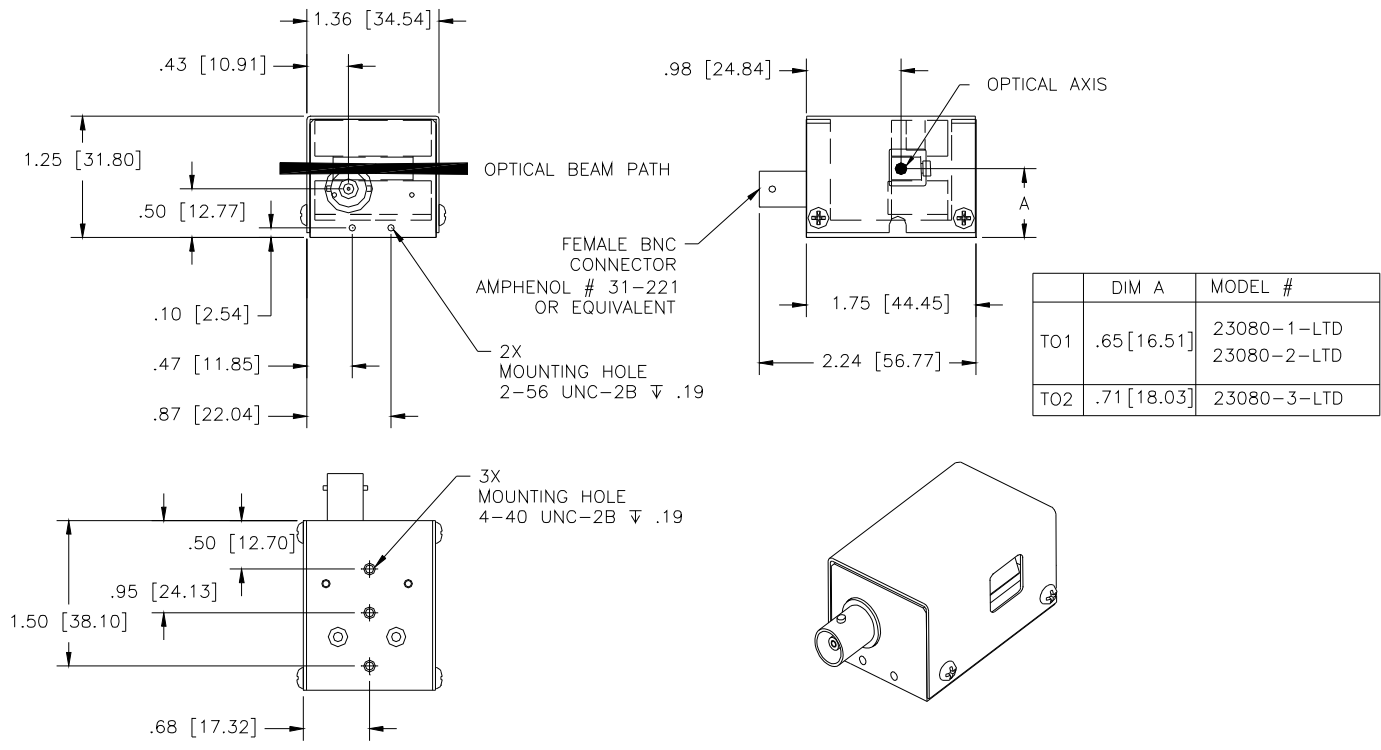
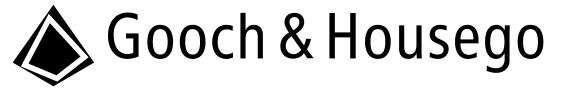
DOCUMENT NUMBER: 56A18250A

<u>PARAMETER</u>	<u>SPECIFICATION</u>
Interactive Material	TeO ₂
Acoustic Mode	Longitudinal
Operating Wavelength	1550 nm
Window Configuration	AR Coated
Static Transmission	>97 %
Operating Frequency	80 MHz
Diffraction Efficiency	>50 % With Light Polarization Linear, Perpendicular to Acoustic Propagation. >45 % With Random Polarization.
Acoustic Aperture Size	3 mm
Rise Time	150 ns/mm Beam Diameter
Deflection Angle	29 mrad
RF Power Level	< 4 Watts
Impedance	50 Ohms nominal
VSWR	<1.2:1 @ 80 MHz
Package:	53B00624 TO2
Operating Manual: Use Latest Revision.	51A11958
Acceptance Test Procedure:	42A14787
Acceptance Test Results form:	52A14135
Recommended Drivers:	
Analog Driver System: 31080-4AS Digital Driver System: 31080-4DS	
Analog Driver Module: 31080-4AM Digital Driver Module: 31080-4DM	

For More Information, Contact: Sales@GoochandHousego.com www.goochandhousego.com

As part of our policy of continuous product improvement we reserve the right to change specifications at any time.

Mechanical Dimensions:
Dimensions in inches and [mm]



For More Information, Contact: Sales@GoochandHousego.com www.goochandhousego.com

As part of our policy of continuous product improvement we reserve the right to change specifications at any time.