



Gooch & Housego

DEVICE SPECIFICATIONS

MODEL NUMBER:

17440

DOCUMENT NUMBER: 56A14300B

<u>PARAMETER</u>	<u>SPECIFICATION</u>
Interactive Material	TeO ₂
Acoustic Mode	Longitudinal
Operating Wavelength	440 – 850nm
Window Configuration	AR Coated
Static Transmission	>95 %
Operating Frequency	440 MHz
Diffraction Efficiency	>60 % @ 633 nm with Linear, Polarization Perpendicular to Acoustic Propagation. >50 % @ 633 nm with Random Polarization.
Acoustic Aperture Size	90 μm
Rise Time	<4 ns
Optical Waist Size to achieve Rise Time	19 μm
Deflection Angle	65 mrad @ 633 nm
RF Power Level	800 mWatts
Impedance	50 ohms nominal
VSWR	<1.5:1 @ 440 MHz
Package:	53B0504
Operating Manual:	51A14833
Acceptance Test Procedure:	42A12278
Acceptance Test Results Form:	52A15516
Recommended Drivers:	
Analog Driver System:	11440-.8AS
Analog Driver Module:	11440-.8AM

For More Information, Contact: Sales@GoochandHousego.com www.goochandhousego.com

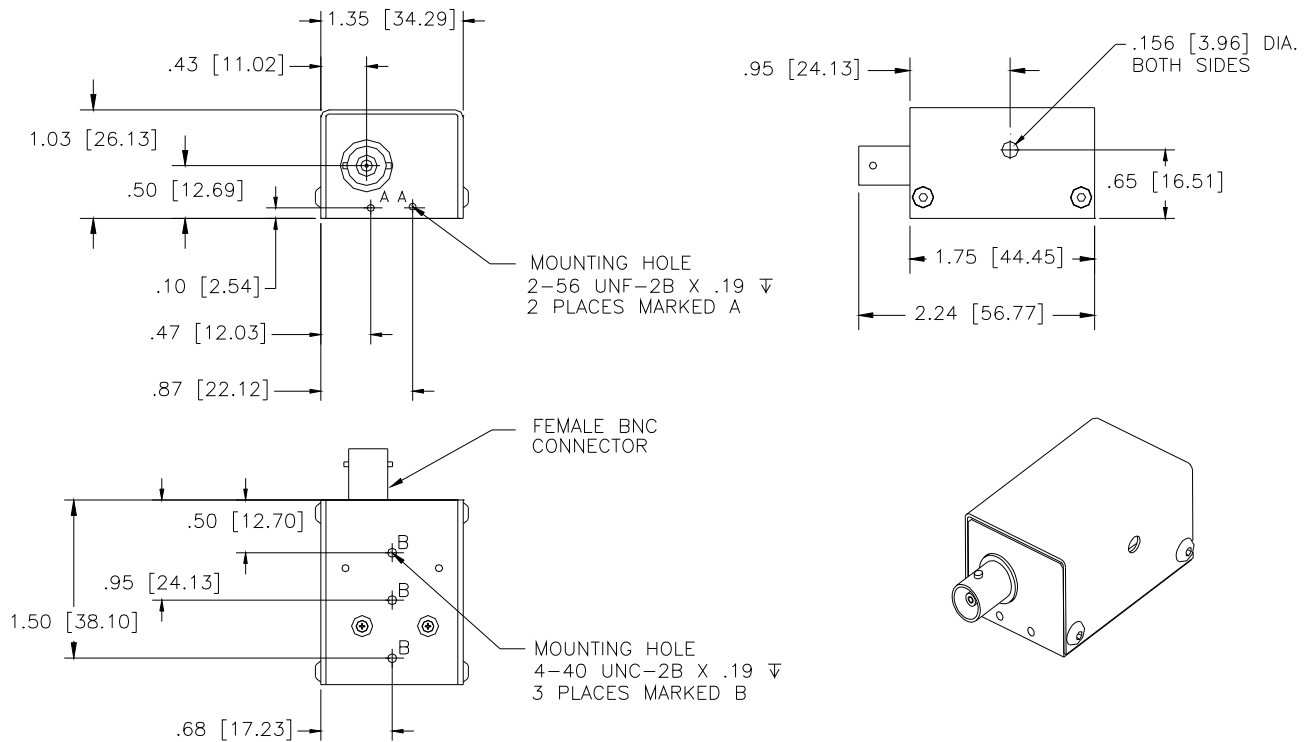
As part of our policy of continuous product improvement we reserve the right to change specifications at any time.



光技術をサポートする
株式会社オプトサイエンス
<http://www.optoscience.com>

東京本社 〒160-0014 東京都新宿区内藤町1番地 内藤町ビルディング
TEL:03(3356)1064 FAX:03(3356)3466 E-mail:info@optoscience.com
大阪支店 〒532-0011 大阪市淀川区西中島7-7-2 新大阪ビル西館
TEL:06(6305)2064 FAX:06(6305)1030 E-mail:osk@optoscience.com
名古屋営業所 〒450-0002 名古屋市中村区名駅2-37-21 東海ソフトビル
TEL:052(569)6064 FAX:052(569)8064 E-mail:ngo@optoscience.com

Mechanical Dimensions:
Dimensions in inches and [mm]



For More Information, Contact: Sales@GoochandHousego.com www.goochandhousego.com

As part of our policy of continuous product improvement we reserve the right to change specifications at any time.



Gooch & Housego

DEVICE SPECIFICATIONS

MODEL NUMBER:

17440-FOA

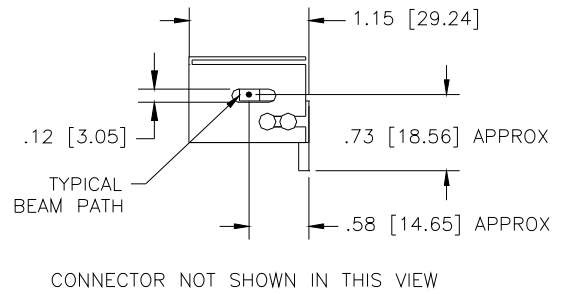
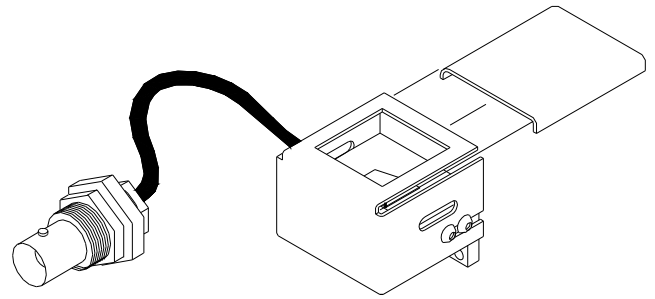
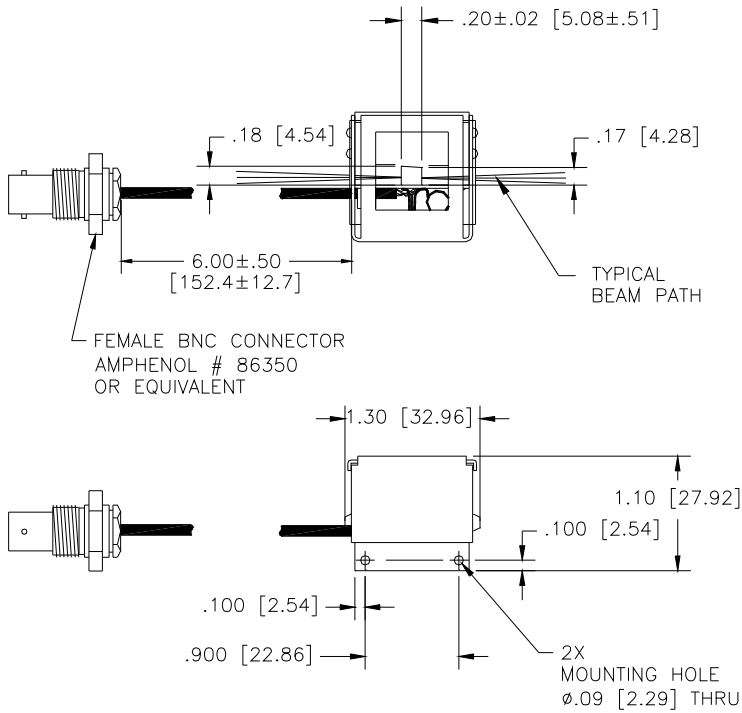
DOCUMENT NUMBER: 56A15410

<u>PARAMETER</u>	<u>SPECIFICATION</u>
Interactive Material	TeO ₂
Acoustic Mode	Longitudinal
Operating Wavelength	440 – 850 nm
Window Configuration	AR Coated
Static Transmission	>95%
Operating Frequency	440 MHz
Diffraction Efficiency	>60 % @ 633 nm with Linear, Polarization Perpendicular to Acoustic Propagation. >50 % @ 633 nm with Random Polarization.
Acoustic Aperture Size	90 μm
Rise Time	<4 nsec
Optical Waist Size to achieve Rise Time	19 μm
Deflection Angle	65 mrad @ 633 nm
RF Power Level	800 mW
Impedance	50 ohms nominal
VSWR	<1.5:1 @ 440 MHz
FOA Package 17440-FOA:	53B0957
Operating Manual:	51A17205
Acceptance Test Procedure:	42A12278
Acceptance Test Results Form:	52A15516
Recommended Drivers:	
Analog Driver System:	11440-.8AS
Analog Driver Module:	11440-.8AM

For More Information, Contact: Sales@GoochandHousego.com www.goochandhousego.com

As part of our policy of continuous product improvement we reserve the right to change specifications at any time.

Mechanical Dimensions:
Dimensions in inches and [mm]



For More Information, Contact: Sales@GoochandHousego.com www.goochandhousego.com

As part of our policy of continuous product improvement we reserve the right to change specifications at any time.



Gooch & Housego

DEVICE SPECIFICATIONS

MODEL NUMBER:

17440-FOA / 71003

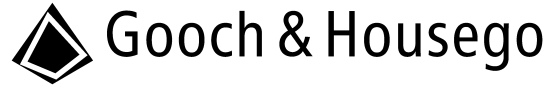
DOCUMENT NUMBER: 56A15414

<u>PARAMETER</u>	<u>SPECIFICATION</u>
Interactive Material	TeO ₂
Acoustic Mode	Longitudinal
Operating Wavelength	440 – 850 nm
Window Configuration	AR Coated
Static Transmission	>95 %
Operating Frequency	440 MHz
Diffraction Efficiency	>60 % @ 633 nm with Linear, Polarization Perpendicular to Acoustic Propagation. >50 % @ 633 nm with Random Polarization.
Acoustic Aperture Size	90 μm
Rise Time	<4 nsec
Optical Waist Size to achieve Rise Time	19 μm
Deflection Angle	65 mrad @ 633 nm
RF Power Level	800 mW
Impedance	50 ohms nominal
VSWR	<1.5:1 @ 440 MHz
Assembly 17440-FOA / 71003:	53D00327
Operating Manual:	51A00500
Acceptance Test Procedure:	42A15349
Acceptance Test Results Form:	52A15350
Recommended Drivers:	
Analog Driver System:	11440-.8AS
Analog Driver Module:	11440-.8AM

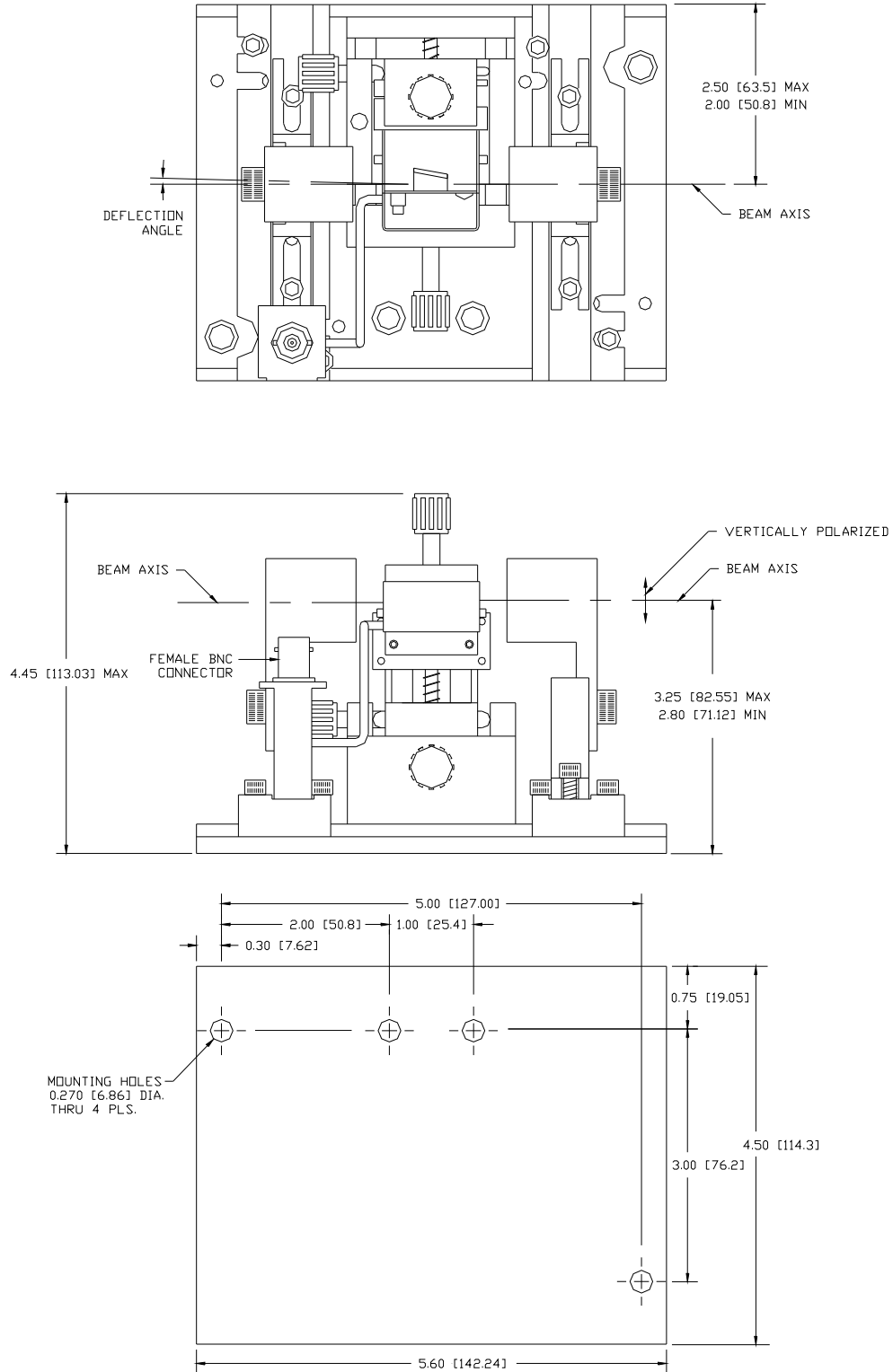
For More Information, Contact: Sales@GoochandHousego.com www.goochandhousego.com

As part of our policy of continuous product improvement we reserve the right to change specifications at any time.

Mechanical Dimensions:
Dimensions in inches and [mm]



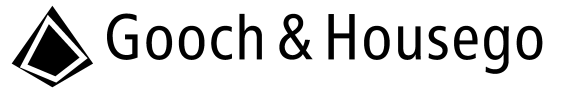
Package Assembly: Mount, Optics and Modulator



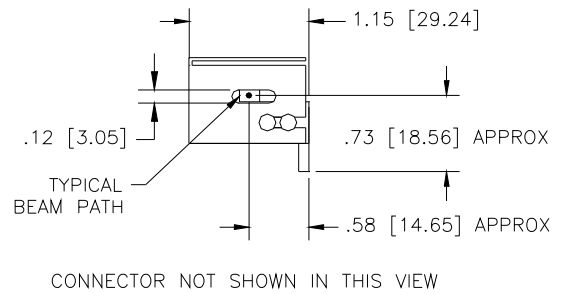
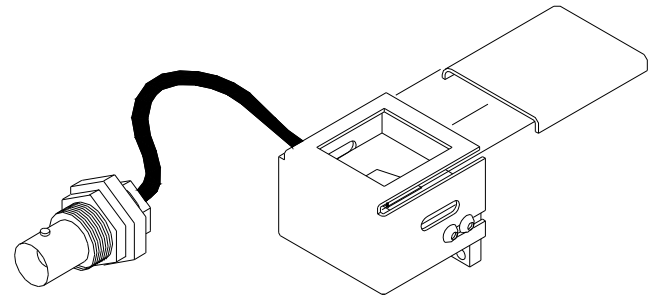
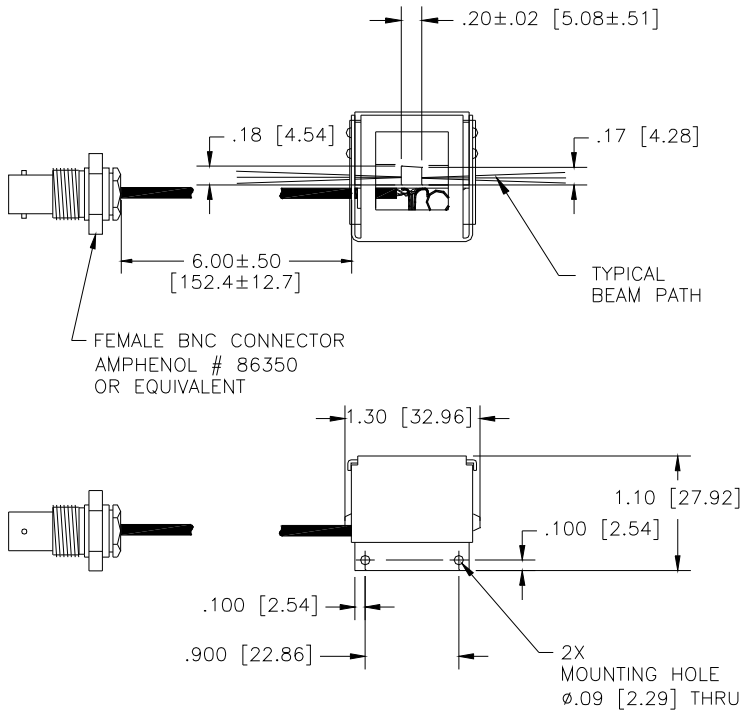
For More Information, Contact: Sales@GoochandHousego.com www.goochandhousego.com

As part of our policy of continuous product improvement we reserve the right to change specifications at any time.

Mechanical Dimensions:
Dimensions in inches and [mm]



FOA Modulator Package



For More Information, Contact: Sales@GoochandHousego.com www.goochandhousego.com

As part of our policy of continuous product improvement we reserve the right to change specifications at any time.