



# Gooch & Housego

MODEL NUMBER:

**17389-1.06-LTD-GaP**

DOCUMENT NUMBER: 56A16022C

## PARAMETER

## SPECIFICATION

Interaction Material	GaP
Acoustic Mode	Longitudinal
Operating Wavelength	1.06 $\mu\text{m}$
Window Configuration	AR coating
Static Transmission	>85%
Operating Frequency	389 MHz
Diffraction Efficiency	56% minimum @ 2.5 watts peak with linear polarized light parallel to acoustic propagation
Acoustic Aperture Size	150 $\mu\text{m}$
Rise Time	4 nsec minimum
Extinction Ratio *	>20dB for neighboring pulses, >27dB for subsequent pulses @ <80MHz pulse rep rate
Optical Waist Size To Achieve Rise Time	40 $\mu\text{m}$
Deflection Angle	62 mrad
RF Power Level	2.5 watts peak, <1 watt aver.
Impedance	50 ohms nominal
VSWR	<1.5:1 @ 389 MHz
Package	53B00624TO1
Recommended Drivers:	
Non - Synchronous Driver:	31389-2.5AM, 31389-2.5AS
Synchronous Driver:	64389.5-SYN-9.5-X

\*When used with the 31389-2.5AM, or 64389.5-SYN-9.5-X drivers

For More Information, Contact: [Sales@GoochandHousego.com](mailto:Sales@GoochandHousego.com) [www.goochandhousego.com](http://www.goochandhousego.com)

As part of our policy of continuous product improvement we reserve the right to change specifications at any time.



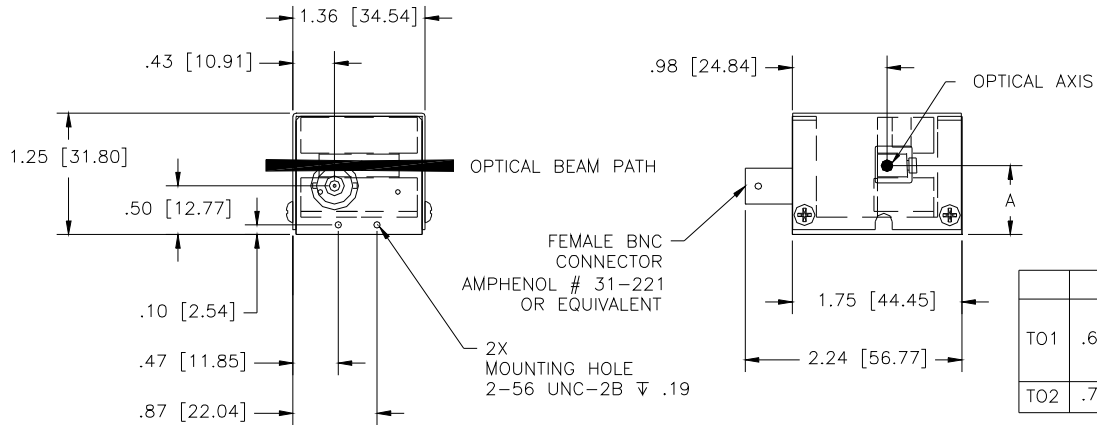
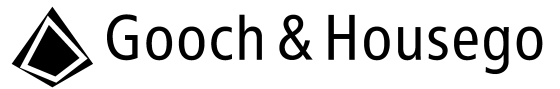
光技術をサポートする

株式会社オプトサイエンス

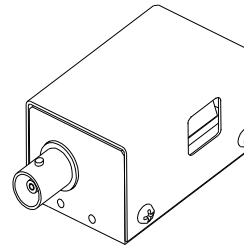
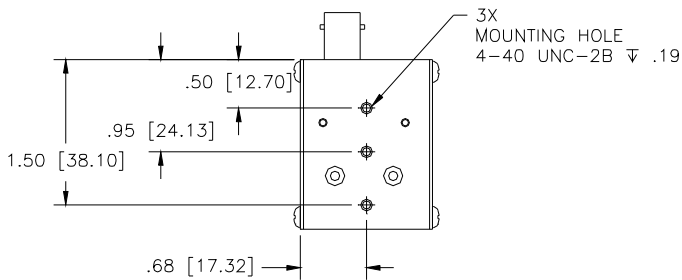
<http://www.optoscience.com>

東京本社 〒160-0014 東京都新宿区内藤町1番地 内藤町ビルディング  
TEL: 03 (3356) 1064 FAX: 03 (3356) 3466 E-mail: info@optoscience.com  
大阪支店 〒532-0011 大阪市淀川区西中島7-7-2 新大阪ビル西館  
TEL: 06 (6305) 2064 FAX: 06 (6305) 1030 E-mail: osk@optoscience.com  
名古屋営業所 〒450-0002 名古屋市中村区名駅2-37-21 東海ソフトビル  
TEL: 052 (569) 6064 FAX: 052 (569) 8064 E-mail: ngo@optoscience.com

**Mechanical Dimensions:**  
**Dimensions in inches and [mm]**



	DIM A	MODEL #
T01	.65 [16.51]	23080-1-LTD 23080-2-LTD
T02	.71 [18.03]	23080-3-LTD



**For More Information, Contact:** [Sales@GoochandHousego.com](mailto:Sales@GoochandHousego.com) [www.goochandhousego.com](http://www.goochandhousego.com)

As part of our policy of continuous product improvement we reserve the right to change specifications at any time.