



Gooch & Housego

DEVICE SPECIFICATIONS

MODEL NUMBER:

17389-.93

DOCUMENT NUMBER: **56A04964E**

<u>PARAMETER</u>	<u>SPECIFICATION</u>
Interactive Material	TeO ₂
Acoustic Mode	Longitudinal
Operating Wavelength	700 –1064 nm
Window Configuration	AR Coated
Static Transmission	>95 %
Operating Frequency	389 MHz
Diffraction Efficiency	>70 % @ 800 nm with Linear, Polarization Perpendicular to Acoustic Propagation. >60 % @ 800 nm with Random Polarization.
Acoustic Aperture Size	70 μ m
Rise Time	<7 nsec
Extinction Ratio *	>20dB for neighboring pulses, >27dB for subsequent pulses @ <80MHz pulse rep rate
Optical Waist Size to achieve Rise Time	35 μ m
Deflection Angle	73 mrad @ 800 nm
RF Power Level	< 700 mW Average/ 5 watts Peak 10 % max duty cycle with 10 nsec pulse.
Impedance	50 ohms nominal
VSWR	<1.5:1 @ 389 MHz
Package	53B0504
Acceptance Test Procedure:	42A12280
Operating Manual:	51A14832
Acceptance Test Results Form:	52A9461
Recommended Drivers: 64389.5-SYN-9.5-X	11389-5AM

*When used with the 64389.5-SYN-9.5-X or 11389-5AM drivers

For More Information, Contact: Sales@GoochandHousego.com www.goochandhousego.com

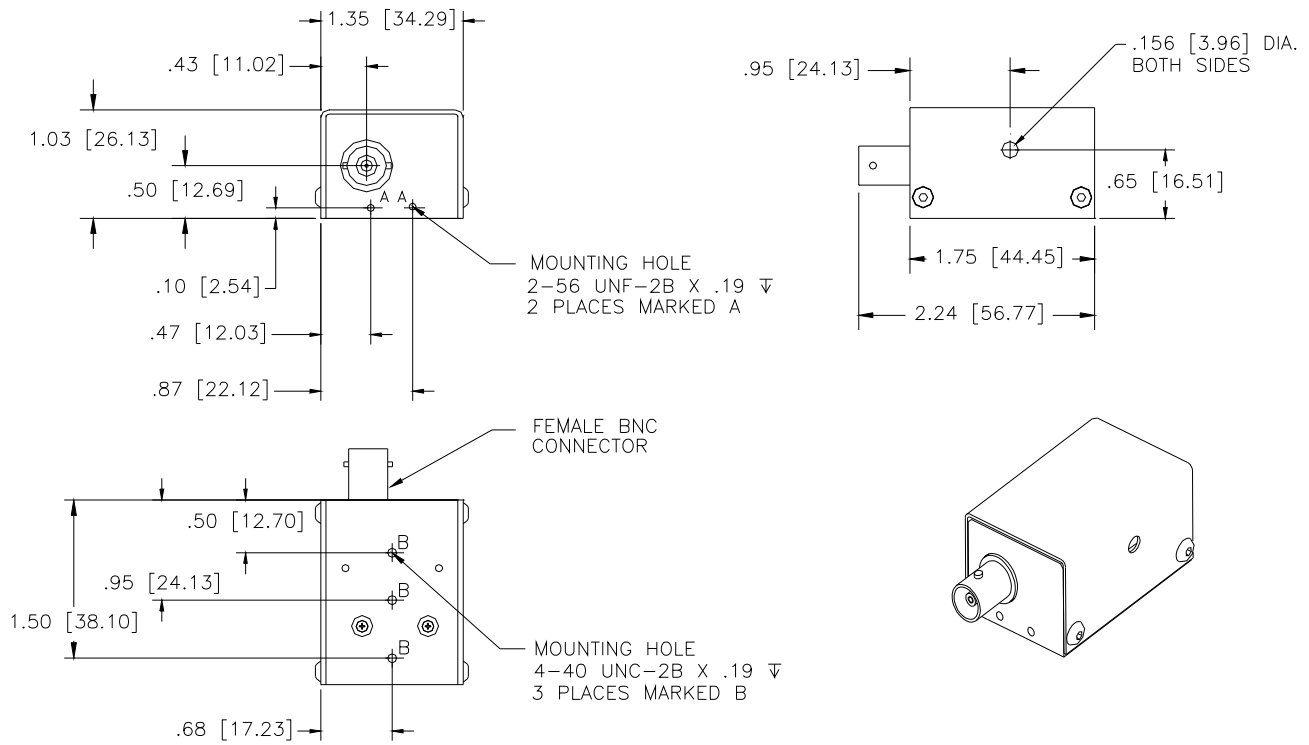
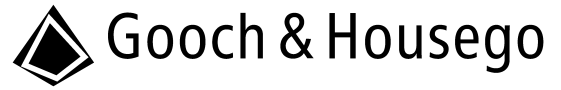
As part of our policy of continuous product improvement we reserve the right to change specifications at any time.



光技術をサポートする
株式会社オプトサイエンス
<http://www.optoscience.com>

東京本社 〒160-0014 東京都新宿区内藤町1番地 内藤町ビルディング
TEL: 03 (3356) 1064 FAX: 03 (3356) 3466 E-mail: info@optoscience.com
大阪支店 〒532-0011 大阪市淀川区西中島7-7-2 新大阪ビル西館
TEL: 06 (6305) 2064 FAX: 06 (6305) 1030 E-mail: osk@optoscience.com
名古屋営業所 〒450-0002 名古屋市中村区名駅2-37-21 東海ソフトビル
TEL: 052 (569) 6064 FAX: 052 (569) 8064 E-mail: ngo@optoscience.com

Mechanical Dimensions:
Dimensions in inches and [mm]



For More Information, Contact: Sales@GoochandHousego.com www.goochandhousego.com

As part of our policy of continuous product improvement we reserve the right to change specifications at any time.



Gooch & Housego

DEVICE SPECIFICATIONS

MODEL NUMBER:

17389-.93-FOA

DOCUMENT NUMBER: 56A15411C

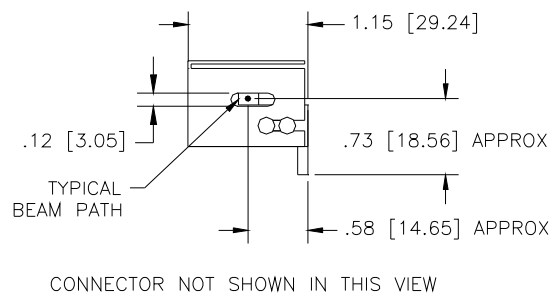
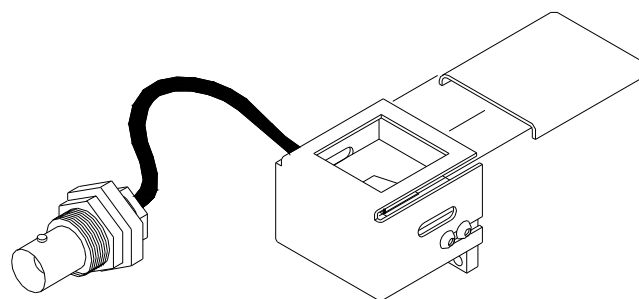
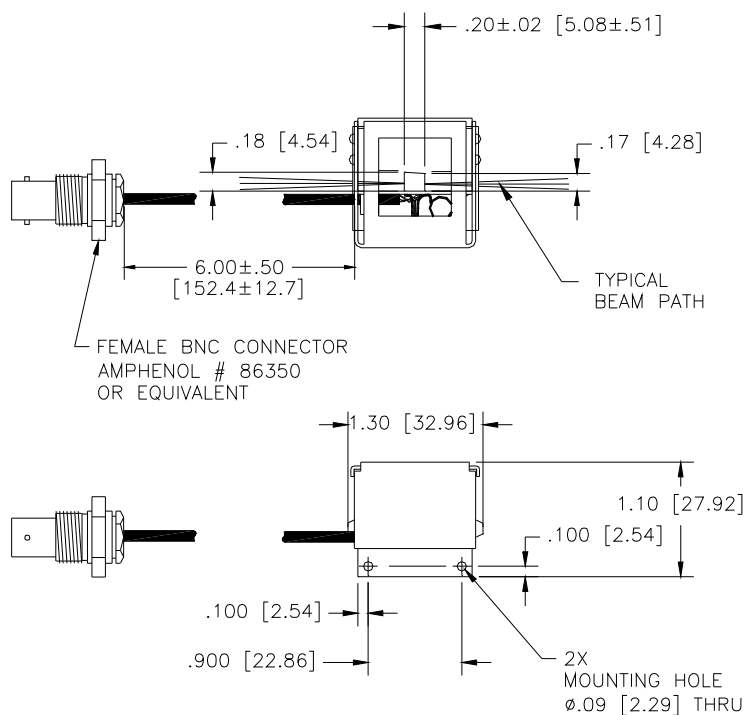
<u>PARAMETER</u>	<u>SPECIFICATION</u>
Interactive Material	TeO ₂
Acoustic Mode	Longitudinal
Operating Wavelength	700 –1064 nm
Window Configuration	AR Coated
Transmission	>95%
Operating Frequency	389 MHz
Diffraction Efficiency	>70% @ 800 nm with Linear, Polarization Perpendicular to Acoustic Propagation >60% @ 800 nm with Random Polarization
Acoustic Aperture Size	70 μ m
Rise Time	<7 nsec
Extinction Ratio *	>20dB for neighboring pulses, >27dB for subsequent pulses @ <80MHz pulse rep rate
Optical Waist Size to achieve Rise Time	35 μ m
Deflection Angle	73mrad @ 800nm
RF Power Level	< 700 mW Average/ 5 watts Peak 10% max duty cycle with 10nsec pulse.
Impedance	50 ohms nominal
VSWR	< 1.5:1 @ 389 MHz
Package:	53B0499
Operating Manual:	51A17204
Acceptance Test Procedure:	42A12280
Acceptance Test Results Form:	52A9461
Recommended Drivers:	31389-5AM 64389.5-SYN-9.5-X

*When used with the 31389-5AM or 64389.5-SYN-9.5-X drivers

For More Information, Contact: Sales@GoochandHousego.com www.goochandhousego.com

As part of our policy of continuous product improvement we reserve the right to change specifications at any time.

Mechanical Dimensions:
Dimensions in inches and [mm]



For More Information, Contact: Sales@GoochandHousego.com www.goochandhousego.com As part of our policy of continuous product improvement we reserve the right to change specifications at any time.



Gooch & Housego

DEVICE SPECIFICATIONS

MODEL NUMBER:

17389-.93-FOA / 71009

DOCUMENT NUMBER: 56A15415C

<u>PARAMETER</u>	<u>SPECIFICATION</u>
Interactive Material	TeO ₂
Acoustic Mode	Longitudinal
Operating Wavelength	700 –1064 nm
Window Configuration	AR Coated
Static Transmission	>95 %
Operating Frequency	389 MHz
Diffraction Efficiency	>70 % @ 800 nm with Linear, Polarization Perpendicular to Acoustic Propagation. >60 % @ 800 nm with Random Polarization.
Acoustic Aperture Size	70 μm
Rise Time	<7 nsec
Extinction Ratio *	>20dB for neighboring pulses, >27dB for subsequent pulses @ <80MHz pulse rep rate
Optical Waist Size to achieve Rise Time	35 μm
Deflection Angle	73 mrad @ 800 nm
RF Power Level	< 700 mW Average/ 5 watts Peak 10 % max duty cycle with 10 nsec pulse.
Impedance	50 ohms nominal
VSWR	<1.5:1 @ 389 MHz
Package	53D00327
Operating Manual:	51A10923
Acceptance Test Procedure:	42A15347
Acceptance Test Results Form:	52A15348
Recommended Drivers:	31389-5AM 64389.5-SYN-9.5-X

*When used with the 31389-5AM or 64389.5-SYN-9.5-X drivers

For More Information, Contact: Sales@GoochandHousego.com www.goochandhousego.com

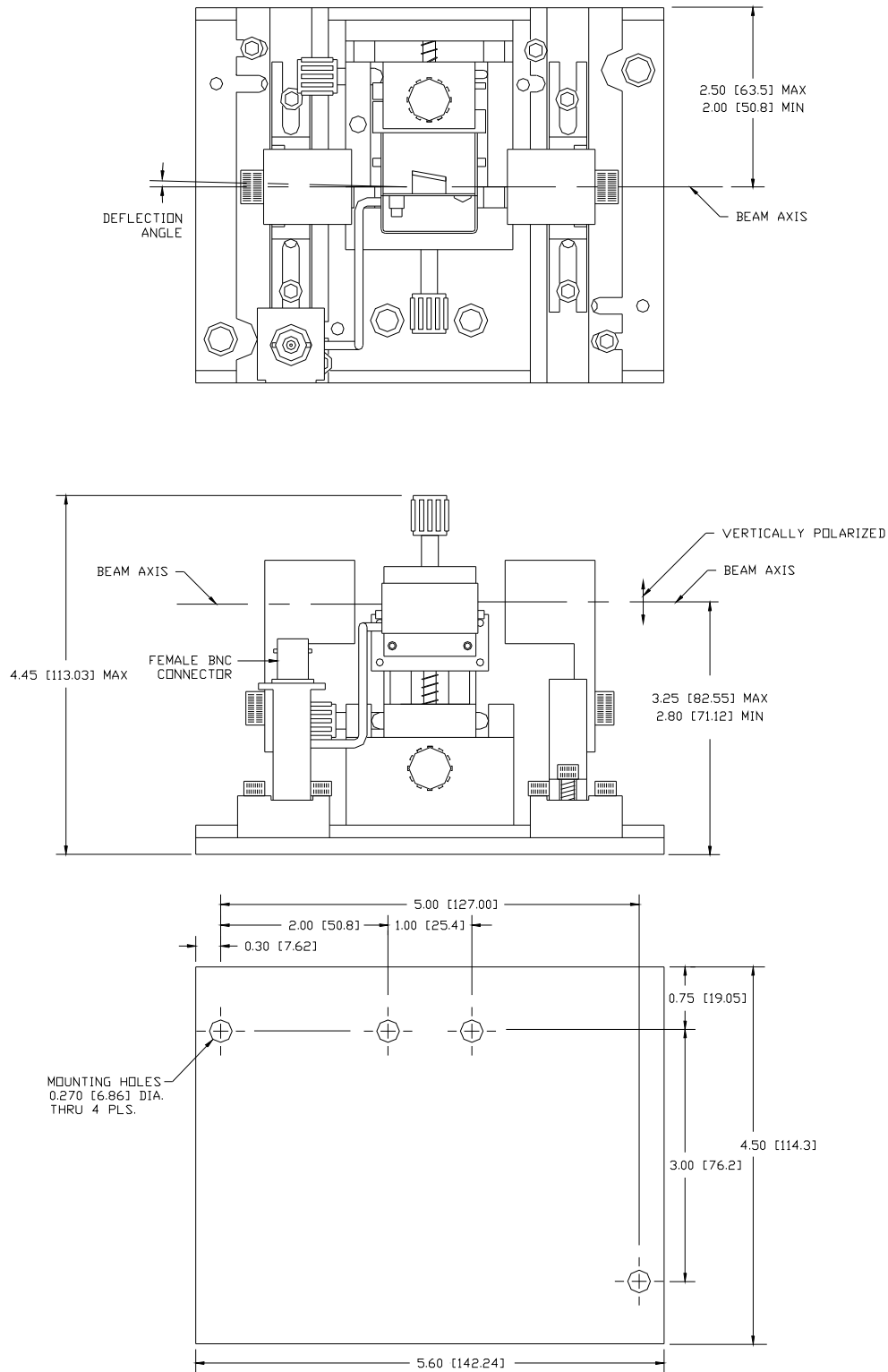
As part of our policy of continuous product improvement we reserve the right to change specifications at any time.

Mechanical Dimensions:

Dimensions in inches and [mm]



Package Assembly: Mount, Optics and Modulator



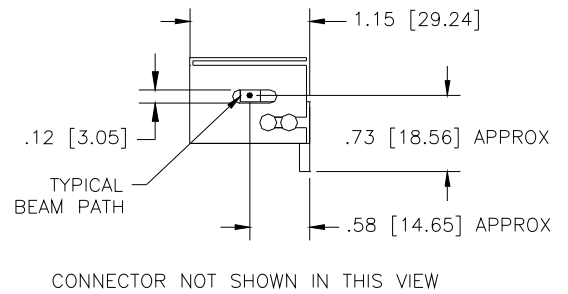
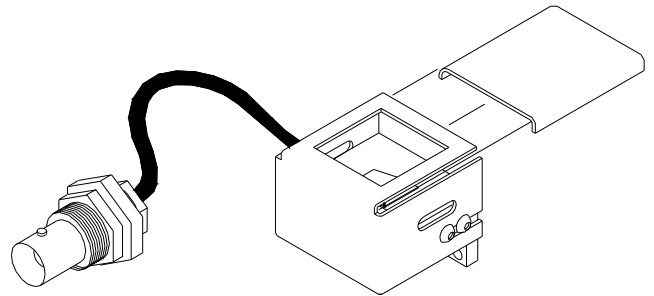
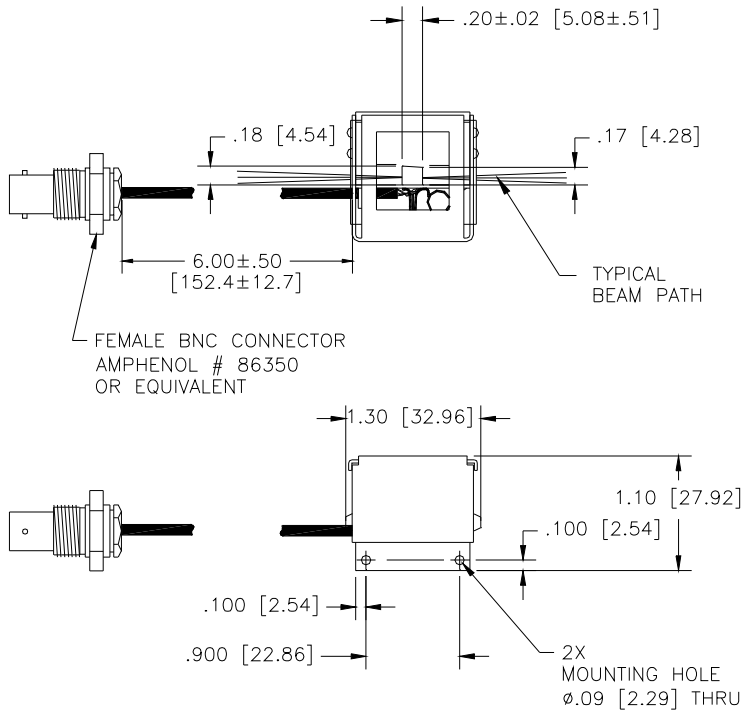
For More Information, Contact: Sales@GoochandHousego.com www.goochandhousego.com

As part of our policy of continuous product improvement we reserve the right to change specifications at any time.

Mechanical Dimensions:
Dimensions in inches and [mm]



FOA Modulator Package



For More Information, Contact: Sales@GoochandHousego.com www.goochandhousego.com

As part of our policy of continuous product improvement we reserve the right to change specifications at any time.