



Gooch & Housego

DEVICE SPECIFICATIONS

MODEL NUMBER

12080-3-TE

DOCUMENT NUMBER: 56A14293C

<u>PARAMETER</u>	<u>SPECIFICATION</u>
Interactive Material	SiO ₂
Acoustic Mode	Longitudinal
Operating Wavelength	1.06 μm
Window Configuration	AR "V" Coated
Static Transmission	>99 %
Operating Frequency	80 MHz ± 150 KHz
Mode spacing	300 KHz Typical
Mode Bandwidth -3dB	10 KHz approximate
Average Loss Modulation	10 % minimum with Linear Polarized Light, Perpendicular to Acoustic Propagation
Acoustic Aperture Size	3 mm
Deflection Angle	14.2 mrad
RF Power Level	<1.2 watt
Impedance	50 ohms @ Resonant Frequency
VSWR	<1.5:1 @ Resonant Frequency
Package:	53A2198
Operating Manual: Use Latest Rev.	51A02804
Acceptance Test Procedure:	42A14128
Acceptance Test Results Form:	52A02807
Recommended Driver:	11080-1ML

For More Information, Contact: Sales@GoochandHousego.com www.goochandhousego.com

As part of our policy of continuous product improvement we reserve the right to change specifications at any time.



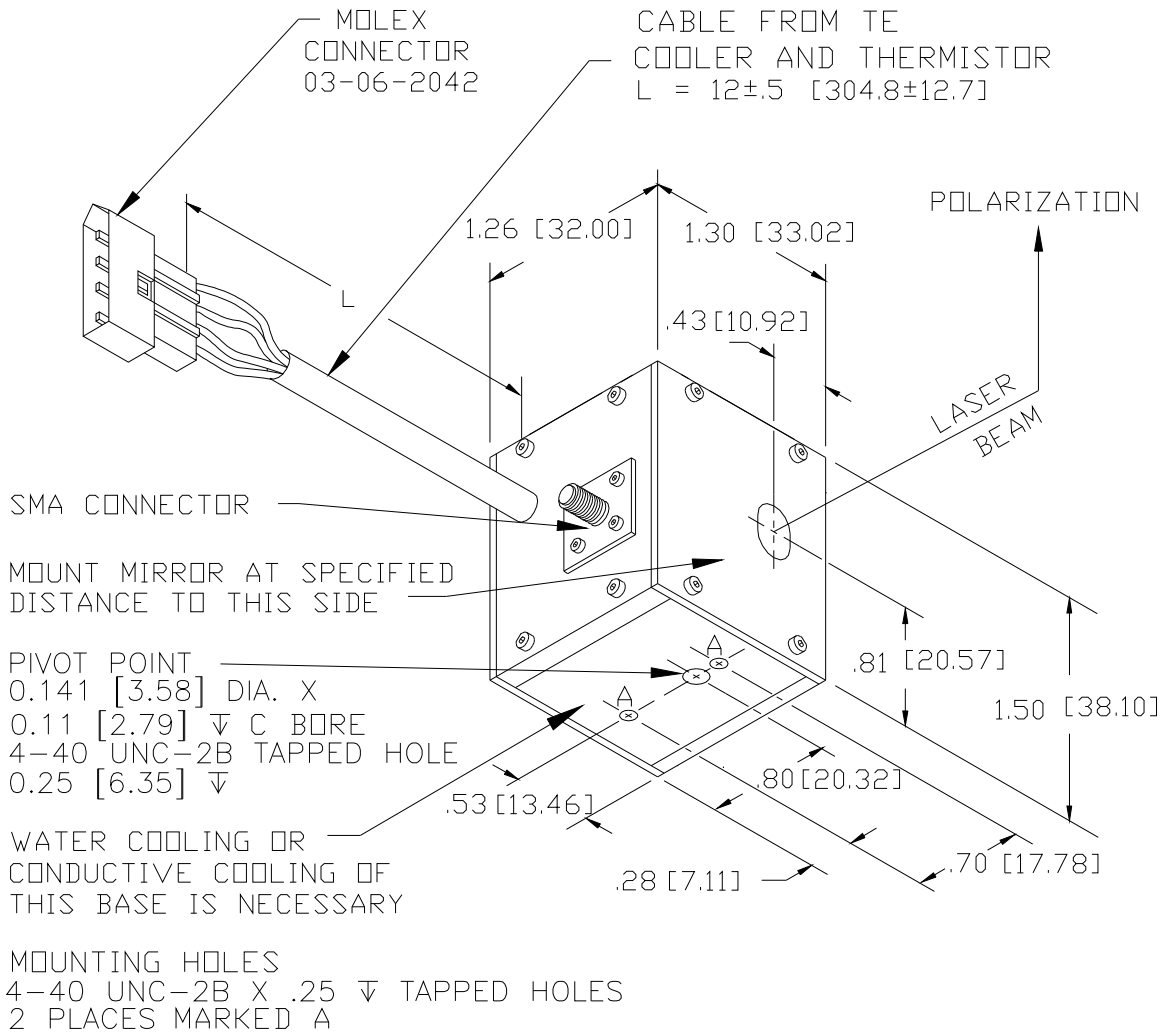
光技術をサポートする

株式会社オプトサイエンス

<http://www.optoscience.com>

東京本社 〒160-0014 東京都新宿区内藤町1番地 内藤町ビルディング
TEL:03(3356)1064 FAX:03(3356)3466 E-mail:info@optoscience.com
大阪支店 〒532-0011 大阪市淀川区西中島7-7-2 新大阪ビル西館
TEL:06(6305)2064 FAX:06(6305)1030 E-mail:osk@optoscience.com
名古屋営業所 〒450-0002 名古屋市中村区名駅2-37-21 東海ソフトビル
TEL:052(569)6064 FAX:052(569)8064 E-mail:ngo@optoscience.com

Mechanical Dimensions:
Dimensions in inches and [mm]



For More Information, Contact: Sales@GoochandHousego.com www.goochandhousego.com

As part of our policy of continuous product improvement we reserve the right to change specifications at any time.



Gooch & Housego

DEVICE SPECIFICATIONS

MODEL NUMBER:

12080-3-BR-TE

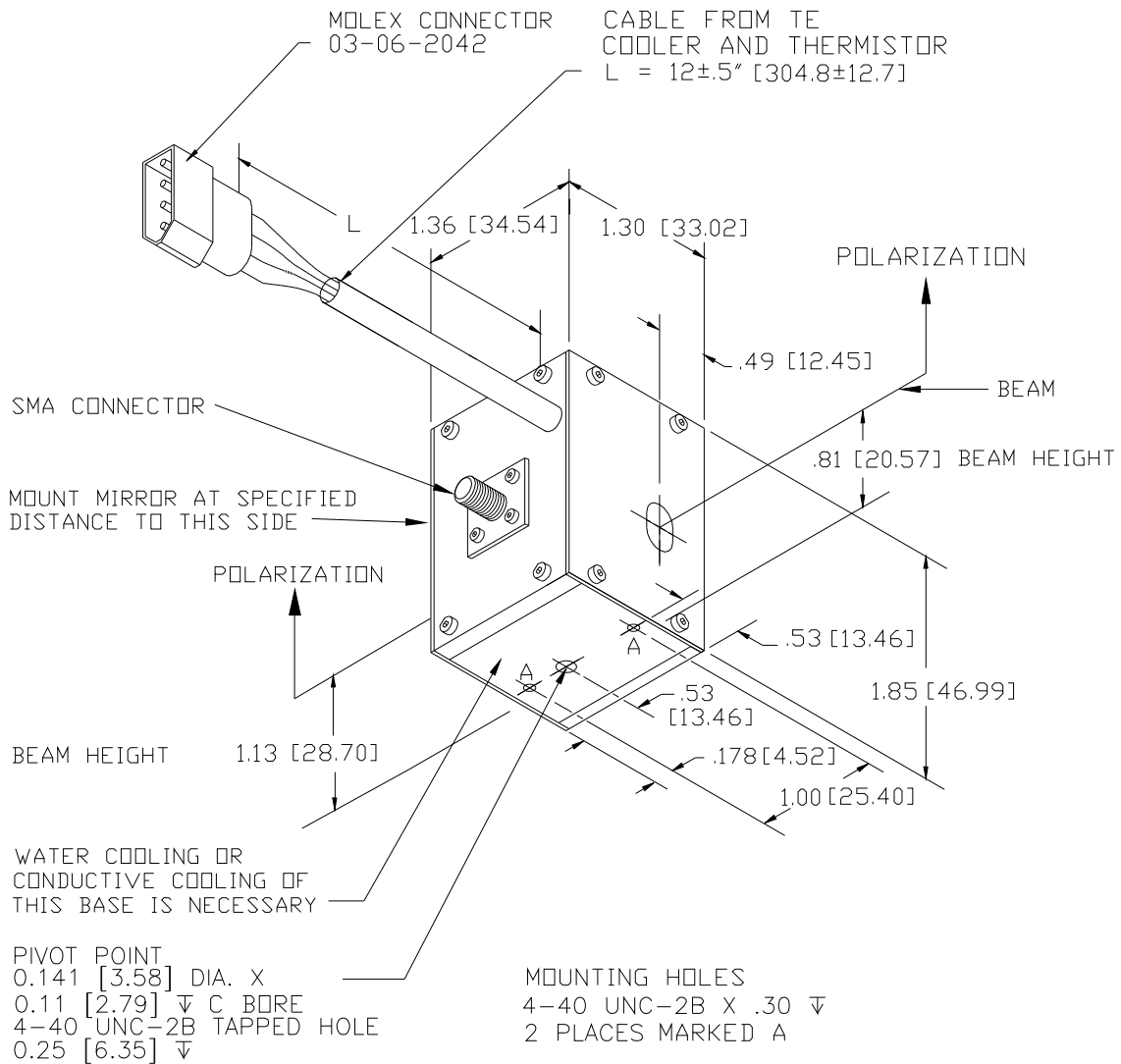
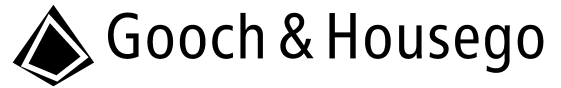
DOCUMENT NUMBER: 56A14297D

<u>PARAMETER</u>	<u>SPECIFICATION</u>
Interactive Material	SiO ₂
Acoustic Mode	Longitudinal
Operating Wavelength	Used for Various λ Specifications shown for 1.06 μm
Window Configuration	Brewster
Static Transmission	>99 %
Operating Frequency	80 MHz \pm 182 KHz
Mode spacing	364 KHz Typical
Mode Bandwidth -3dB	10 KHz approximate
Average Loss Modulation	6.5 % minimum with Linear Polarized Light, Perpendicular to Acoustic Propagation
Acoustic Aperture Size (in air)	2 mm
Deflection Angle	14.2 mrad @ 1.06 μm
RF Power Level	<1 watt
Impedance	50 ohms @ Resonant Frequency
VSWR	<1.5:1 @ Resonant Frequency
Package:	53A3890
Operating Manual: Use Latest Revision.	51A02804
Acceptance Test Procedure:	42A14128
Acceptance Test Results Form:	52A04976
Recommended Driver:	11080-1ML

For More Information, Contact: Sales@GoochandHousego.com www.goochandhousego.com

As part of our policy of continuous product improvement we reserve the right to change specifications at any time.

Mechanical Dimensions:
Dimensions in inches and [mm]



For More Information, Contact: Sales@GoochandHousego.com www.goochandhousego.com

As part of our policy of continuous product improvement we reserve the right to change specifications at any time.