



Gooch & Housego

DEVICE SPECIFICATIONS

MODEL NUMBER

12050-3-TE

DOCUMENT NUMBER: 56A14292C

<u>PARAMETER</u>	<u>SPECIFICATION</u>
Interactive Material	SiO ₂
Acoustic Mode	Longitudinal
Operating Wavelength	1.06 μm
Window Configuration	AR "V" Coated
Static Transmission	>99%
Operating Frequency	50 MHz ± 150 KHz
Mode spacing	300 KHz Typical
Mode Bandwidth -3dB	10 KHz approximate
Average Loss Modulation	10 % minimum with Linear Polarized Light, Perpendicular to Acoustic Propagation
Acoustic Aperture Size	3 mm
Deflection Angle	8.9 mrad
RF Power Level	<1.2 watt
Impedance	50 ohms @ Resonant Frequency
VSWR	<1.5:1 @ Resonant Frequency
Package:	53A2198
Operating Manual: Use Latest Revision.	51A02804
Acceptance Test Procedure:	42A14128
Acceptance Test Results Form:	52A02807
Recommended Driver:	11050-1ML

For More Information, Contact: Sales@GoochandHousego.com www.goochandhousego.com

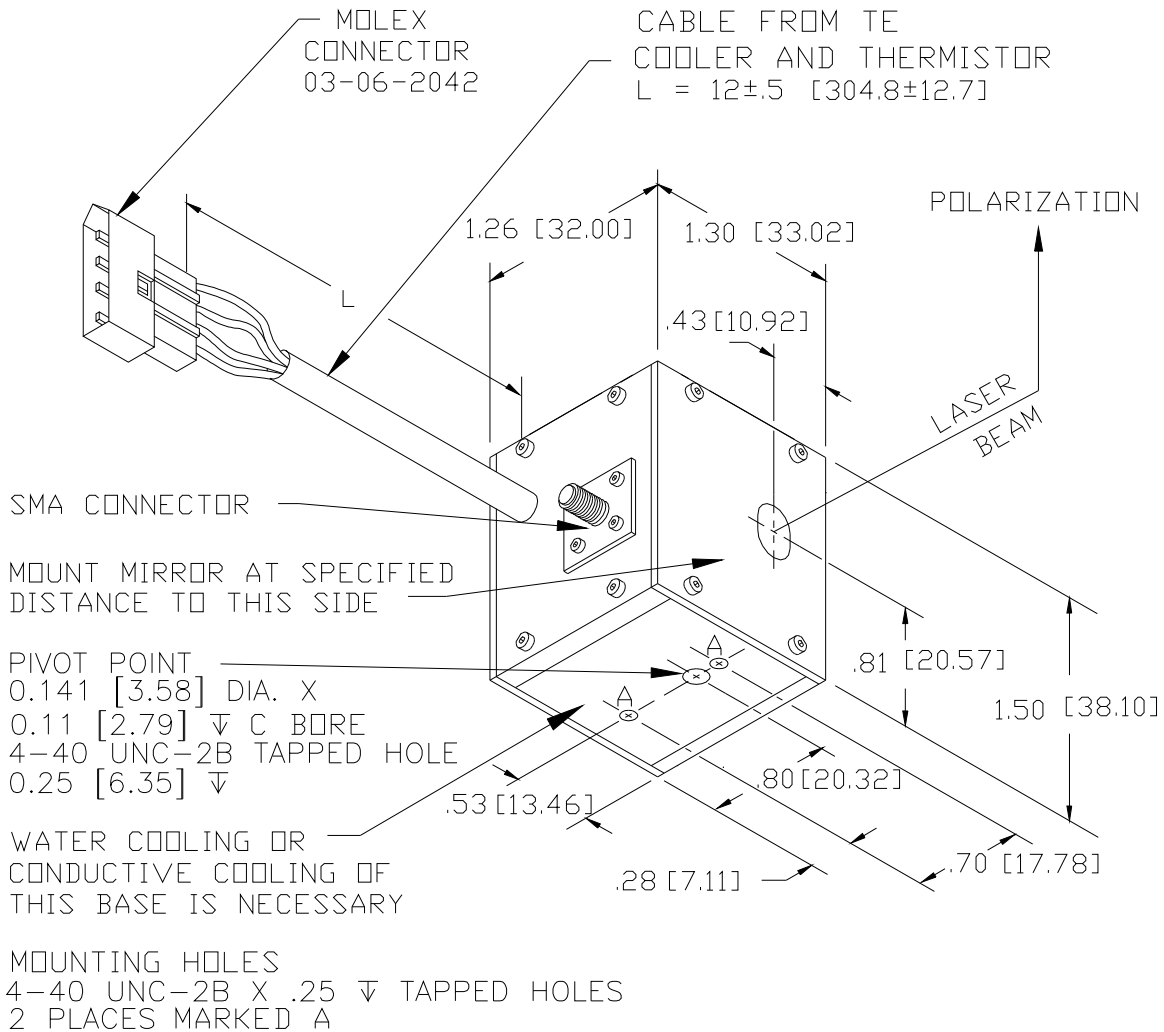
As part of our policy of continuous product improvement we reserve the right to change specifications at any time.



光技術をサポートする
株式会社オプトサイエンス
<http://www.optoscience.com>

東京本社 〒160-0014 東京都新宿区内藤町1番地 内藤町ビルディング
TEL: 03 (3356) 1064 FAX: 03 (3356) 3466 E-mail: info@optoscience.com
大阪支店 〒532-0011 大阪市淀川区西中島7-7-2 新大阪ビル西館
TEL: 06 (6305) 2064 FAX: 06 (6305) 1030 E-mail: osk@optoscience.com
名古屋営業所 〒450-0002 名古屋市中村区名駅2-37-21 東海ソフトビル
TEL: 052 (569) 6064 FAX: 052 (569) 8064 E-mail: ngo@optoscience.com

Mechanical Dimensions:
Dimensions in inches and [mm]



For More Information, Contact: Sales@GoochandHousego.com www.goochandhousego.com

As part of our policy of continuous product improvement we reserve the right to change specifications at any time.



Gooch & Housego

DEVICE SPECIFICATIONS

MODEL NUMBER:

12050-3-BR-TE

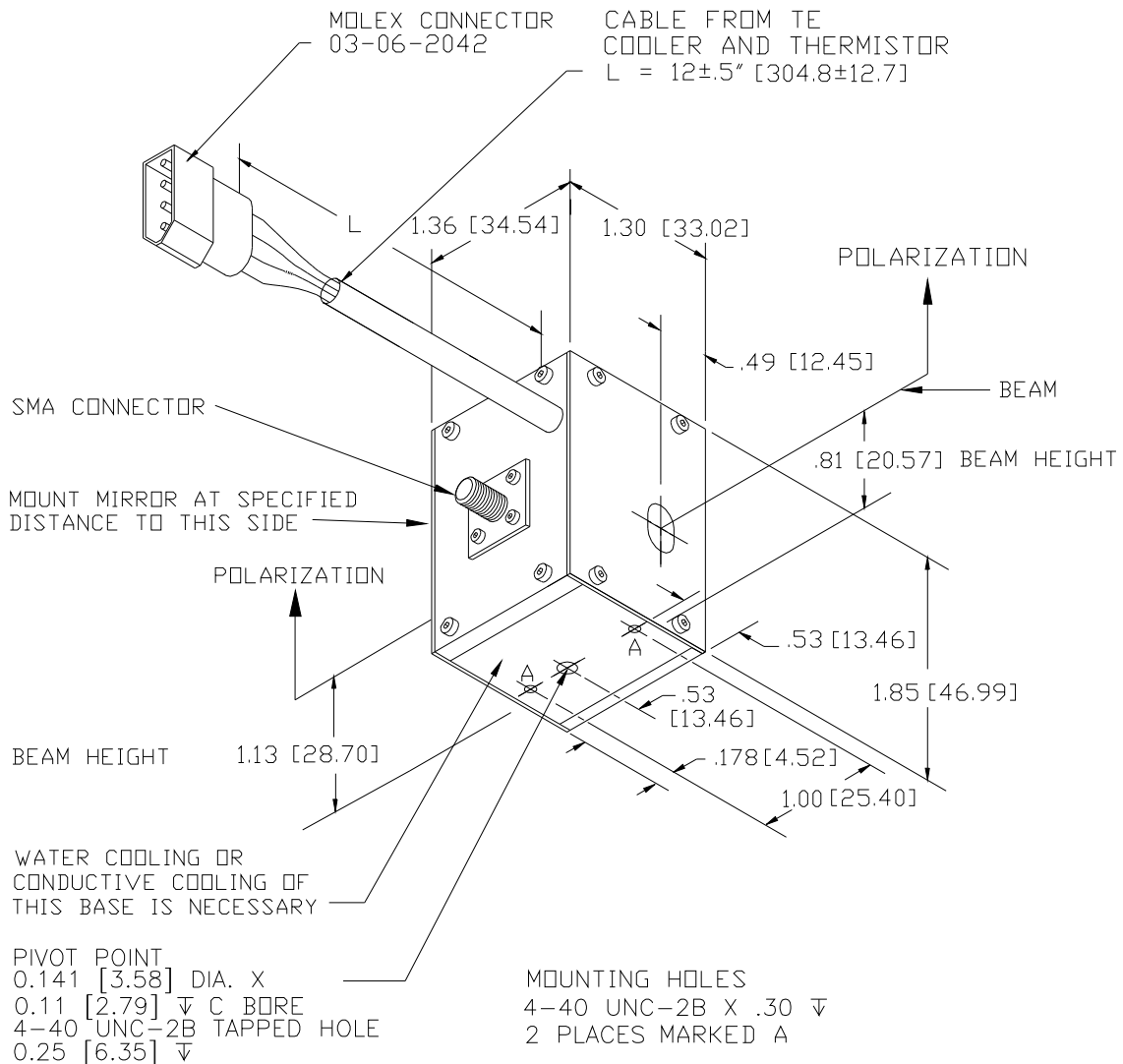
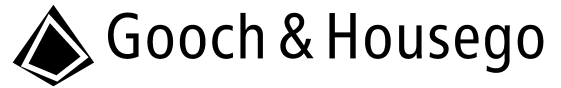
DOCUMENT NUMBER: 56A14296D

<u>PARAMETER</u>	<u>SPECIFICATION</u>
Interactive Material	SiO ₂
Acoustic Mode	Longitudinal
Operating Wavelength	Used for Various λ Specifications shown for 1.06 μm
Window Configuration	Brewster
Static Transmission	>99 %
Operating Frequency	50 MHz \pm 182 KHz
Mode spacing	364 KHz Typical
Mode Bandwidth -3dB	10 KHz approximate
Average Loss Modulation	6.5 % minimum with Linear Polarized Light, Perpendicular to Acoustic Propagation
Acoustic Aperture Size (in air)	2 mm
Deflection Angle	8.9 mrad @ 1.06 μm
RF Power Level	<1 watt
Impedance	50 ohms @ Resonant Frequency
VSWR	<1.5:1 @ Resonant Frequency
Package:	53A3890
Operating Manual: Use Latest Rev.	51A02804
Acceptance Test Procedure:	42A14128
Acceptance Test Results Form:	52A04976
Recommended Driver:	11050-1ML

For More Information, Contact: Sales@GoochandHousego.com www.goochandhousego.com

As part of our policy of continuous product improvement we reserve the right to change specifications at any time.

Mechanical Dimensions:
Dimensions in inches and [mm]



For More Information, Contact: Sales@GoochandHousego.com www.goochandhousego.com

As part of our policy of continuous product improvement we reserve the right to change specifications at any time.