



# Gooch & Housego

## DEVICE SPECIFICATIONS

MODEL NUMBER:

**12038-3-TE**

DOCUMENT NUMBER: 56A14291C

<u>PARAMETER</u>	<u>SPECIFICATION</u>
Interactive Material	SiO <sub>2</sub>
Acoustic Mode	Longitudinal
Operating Wavelength	1.06 μm
Window Configuration	AR "V" Coated
Static Transmission	>99 %
Operating Frequency	38 MHz ± 150 KHz
Mode spacing	300 KHz Typical
Mode Bandwidth -3dB	10 KHz approximate
Average Loss Modulation	15 % minimum with Linear Polarized Light, Perpendicular to Acoustic Propagation
Acoustic Aperture Size	3 mm
Deflection Angle	6.75 mrad
RF Power Level	<1.2 watt
Impedance	50 ohms @ Resonant Frequency
VSWR	<1.5:1 @ Resonant Frequency
Package:	53A2198
Operating Manual: Use Latest Revision.	51A02804
Acceptance Test Procedure:	42A14128
Acceptance Test Results Form:	52A02807
Recommended Driver:	11038-1ML

For More Information, Contact: [Sales@GoochandHousego.com](mailto:Sales@GoochandHousego.com) [www.goochandhousego.com](http://www.goochandhousego.com)

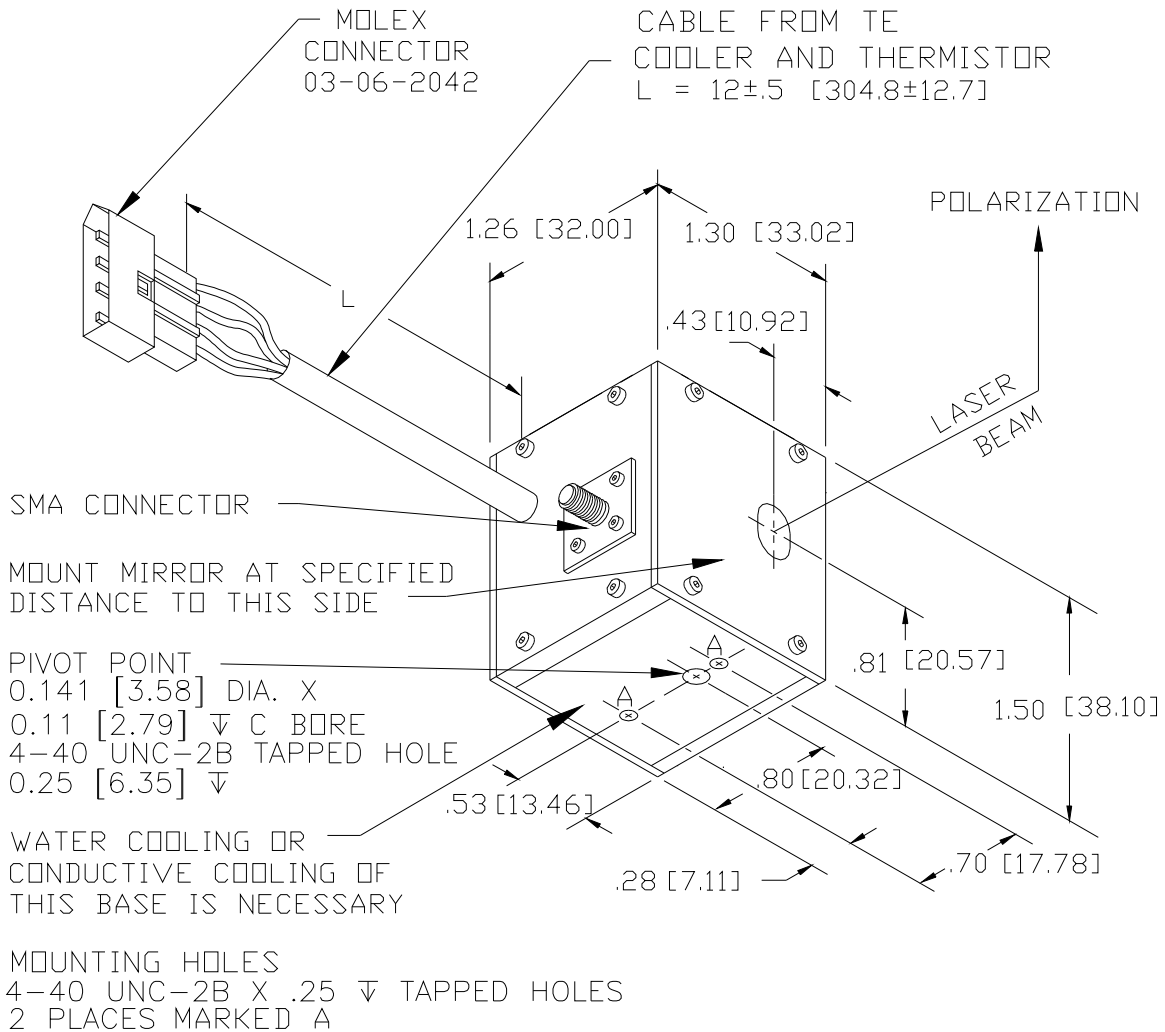
As part of our policy of continuous product improvement we reserve the right to change specifications at any time.



光技術をサポートする  
**株式会社オプトサイエンス**  
<http://www.optoscience.com>

東京本社 〒160-0014 東京都新宿区内藤町1番地 内藤町ビルディング  
TEL: 03 (3356) 1064 FAX: 03 (3356) 3466 E-mail: info@optoscience.com  
大阪支店 〒532-0011 大阪市淀川区西中島7-7-2 新大阪ビル西館  
TEL: 06 (6305) 2064 FAX: 06 (6305) 1030 E-mail: osk@optoscience.com  
名古屋営業所 〒450-0002 名古屋市中村区名駅2-37-21 東海ソフトビル  
TEL: 052 (569) 6064 FAX: 052 (569) 8064 E-mail: ngo@optoscience.com

**Mechanical Dimensions:**  
**Dimensions in inches and [mm]**



**For More Information, Contact:** [Sales@GoochandHousego.com](mailto:Sales@GoochandHousego.com) [www.goochandhousego.com](http://www.goochandhousego.com)

As part of our policy of continuous product improvement we reserve the right to change specifications at any time.



# Gooch & Housego

## DEVICE SPECIFICATIONS

MODEL NUMBER:

**12038-3-BR-TE**

DOCUMENT NUMBER: 56A14294D

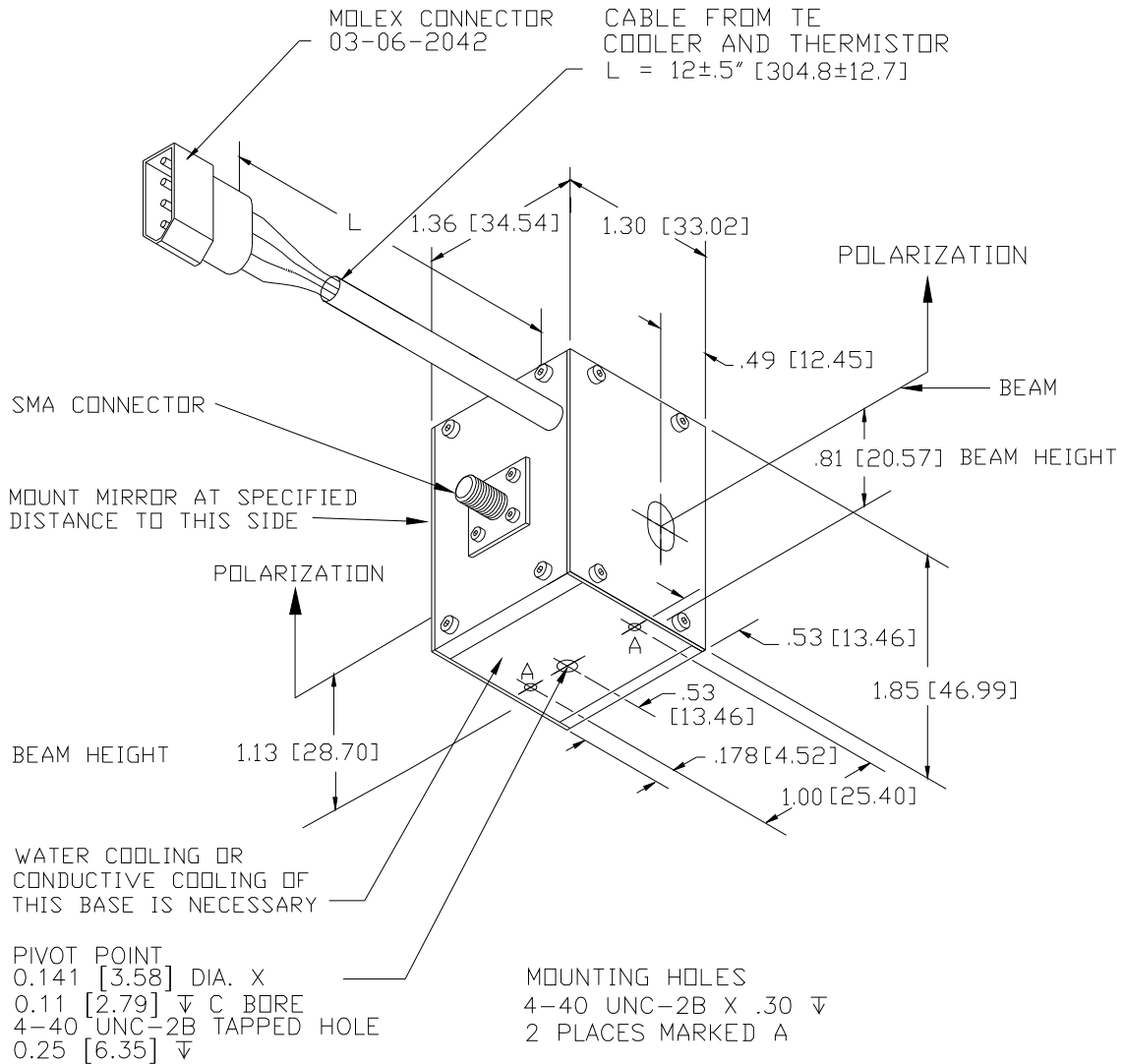
<u>PARAMETER</u>	<u>SPECIFICATION</u>
Interactive Material	SiO <sub>2</sub>
Acoustic Mode	Longitudinal
Operating Wavelength	Used for Various $\lambda$ Specifications shown for 1.06 $\mu\text{m}$
Window Configuration	Brewster
Static Transmission	>99 %
Operating Frequency	38 MHz $\pm$ 182 KHz
Mode spacing	364 KHz Typical
Mode Bandwidth -3dB	10 KHz approximate
Average Loss Modulation	10 % minimum with Linear Polarization Light, Perpendicular to Acoustic Propagation
Acoustic Aperture Size (in air)	2 mm
Deflection Angle	6.75 mrad @ 1.06 $\mu\text{m}$
RF Power Level	<1 watt
Impedance	50 ohms @ Resonant Frequency
VSWR	<1.5:1 @ Resonant Frequency
Package:	53A3890
Operating Manual: Use Latest Revision.	51A02804
Acceptance Test Procedure:	42A14128
Acceptance Test Results Form:	52A04976
Recommended Driver:	11038-1ML

**For More Information, Contact:** [Sales@GoochandHousego.com](mailto:Sales@GoochandHousego.com) [www.goochandhousego.com](http://www.goochandhousego.com)

As part of our policy of continuous product improvement we reserve the right to change specifications at any time.

**Mechanical Dimensions:**

Dimensions in inches and [mm]



**For More Information, Contact:** [Sales@GoochandHousego.com](mailto:Sales@GoochandHousego.com) [www.goochandhousego.com](http://www.goochandhousego.com)

As part of our policy of continuous product improvement we reserve the right to change specifications at any time.