

DATA SHEET

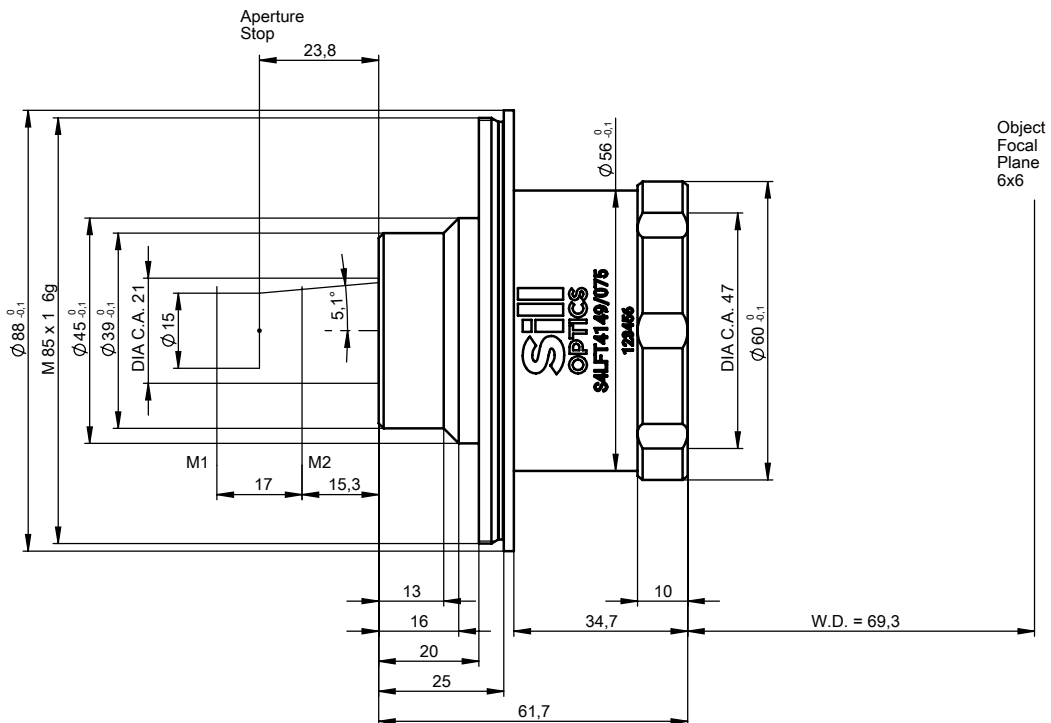
S4LFT4149/075

F-Theta
telecentric - fused silica
355 nm



illustration only

outline drawing

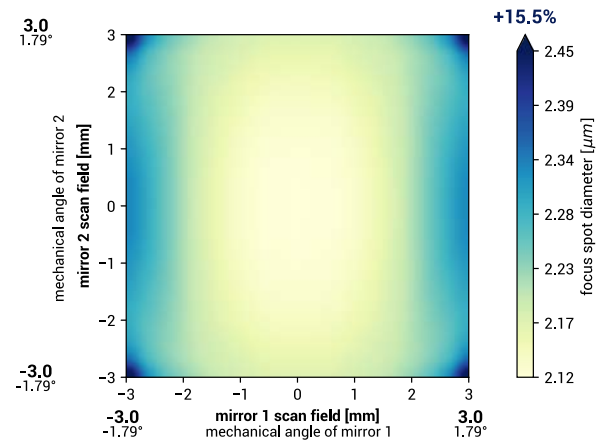


DATA SHEET

specifications

article number	S4LFT4149/075
design wavelength [nm]	355
effective focal length [mm]	48.1
working distance [mm]	69.3
max. entrance beam-Ø [mm]	15.0
aperture stop distance [mm]	23.8
scan area for a 2 mirror system with mirror distance from lens housing for mirror 2 / mirror 1 [mm x mm]	6 x 6 15.3 / 32.3
max. telecentricity error [°]	2.1
total transmission [%]	> 97
absorption [ppm]	not specified
lens material	fused silica
LIDT (coating)	1.0 J/cm ² per 1ns pulse at 50Hz
SP and USP usable	yes
weight [kg]	not yet weighed
cover glass	S4LPG3105/075
cleanliness	not specified

spot



spot diameter at 86.5 % level for a Gaussian beam ($M^2 = 1$) with 15.0 mm diameter at $1/e^2$, clipped at 15.0 mm field size and mirror distances as given above for a two mirror scan system

back reflection positions

back reflections [mm] for 355	
6.79	
7.43	
0.00	
0.00	
0.00	
0.00	
0.00	
0.00	
0.00	
0.00	
0.00	
0.00	

remarks

The stated values are based on a vignetting of less than 1 %.

Effective focal length and working distance have a tolerance of +/- 1.5 %.

Absorption tolerance +/- 25 %. Absorption may increase. Correct cleaning establishes original condition.